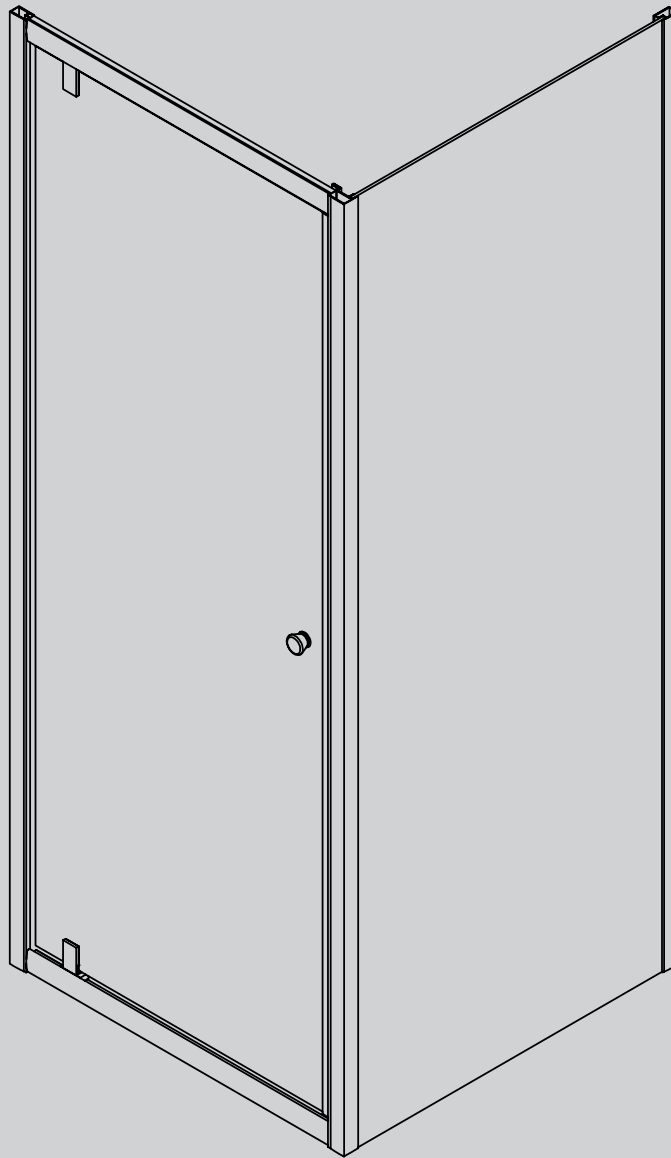


STEIN

VIDA SQUARE SHOWER UNIT



1223

IMPORTANT!

1. When you receive your Vida Square Shower package please check for any freight damage.
2. If damage has occurred advise your supplier within 8 hours.
3. Do not install any faulty product as this will invalidate later claims.

BEFORE YOU START

1. Stein provides a "Acrylic Pre-Install" guide for Build preparation, plumbing, tray and liner specs to ensure all steps have been adhered to prior to this current Acrylic Shower Installation.
2. Read these instructions, familiarise yourself with installation, tools required, and materials used.

HEALTH AND SAFETY



- Unpack glass, stand on soft packing on floor and walls prior to assembly.
- Do not rework glass panels as toughened glass will explode without warning.
- Don't strike an edge or corner of glass as this may explode or be unusable.
- Use two persons where heavy glass lifting is required.
- Wear appropriate protective clothing and eye protection during installation.
- Mark gas, waterpipes & electrical wire positions to ensure these are not touched.

WARRANTY

- This covers faulty goods but not breakages. Visit stein.nz for information.
- Compliance with Acrylic Pre-Install and these instructions are essential for a valid warranty.

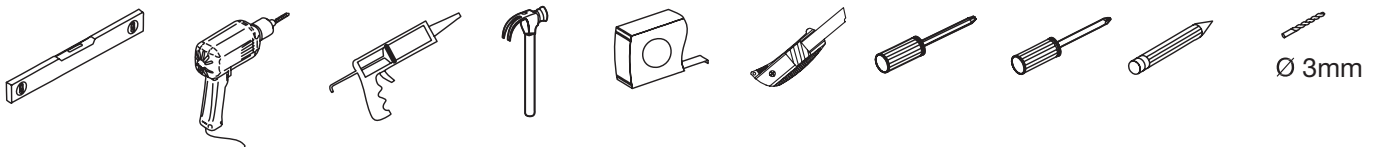
ATTENTION



- The Tray must be installed level as this base affects all shower alignments.
- Walls must be flat and plumb. A variation of 3mm to plumb within the shower height is a range that will enable adjustments to be readily obtained.
- Solid fixing of wall channels: A minimum of one stud with outside edge lined up to tray outside.

It is the installers responsibility that the installation complies with all council regulations.

TOOLS REQUIRED (NOT SUPPLIED)

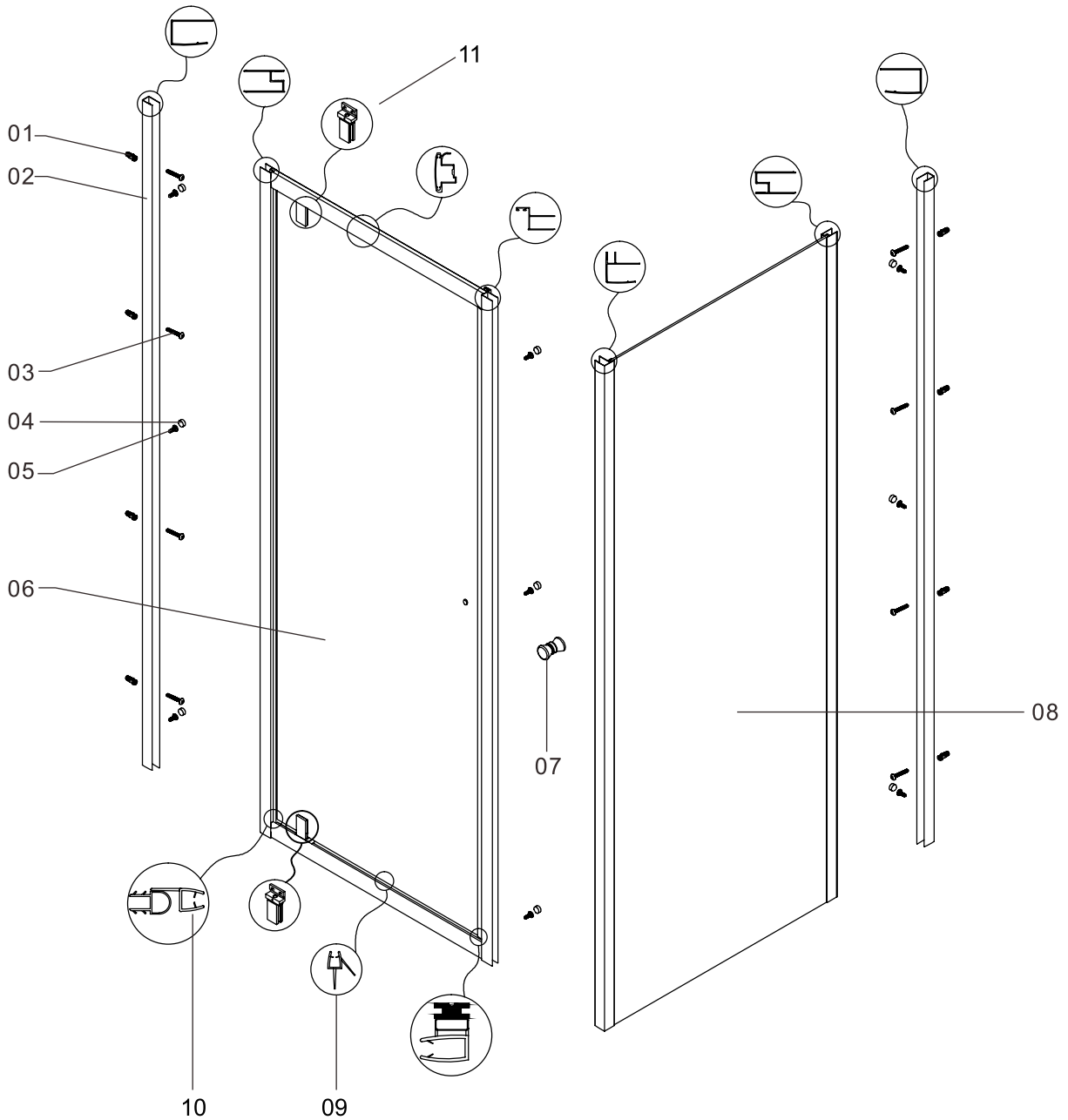


MATERIALS REQUIRED (NOT SUPPLIED)

- Rags and suitable cleaning materials
- Sika Silaflex NG Translucent

WE RECOMMEND A TRADESMAN FAMILIAR WITH THIS TYPE OF INSTALLATION

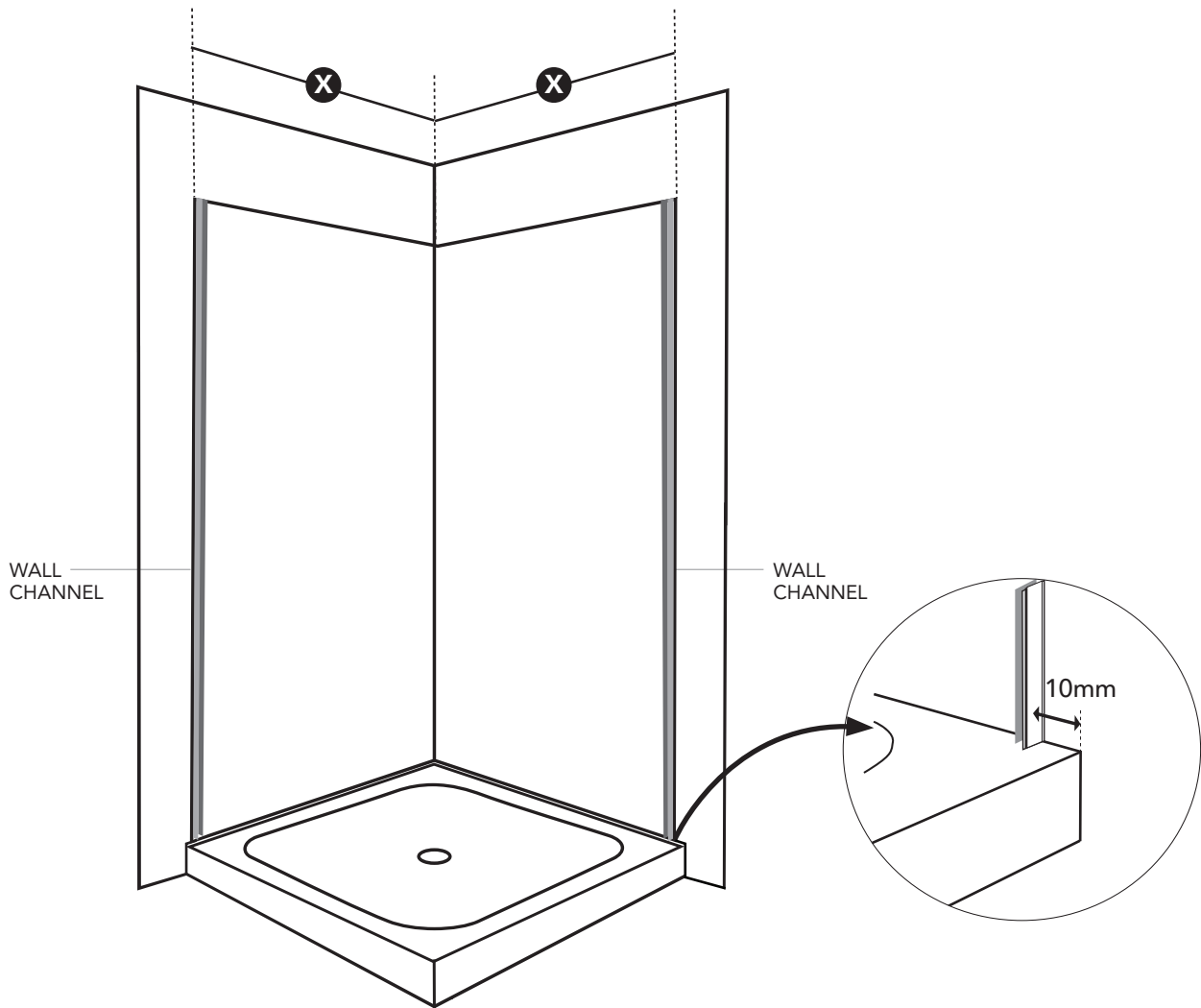
ASSEMBLY DIAGRAM



PARTS LIST

No.	Stein Part Nos.	Description	Size (mm)	Qty	Unit
1		Wall Plug (Concrete)	6x30	8	Pc
2		Wall Channel		2	Pc
3		Wall Channel Screws	ST3. 5x35	8	Pc
4		Screw Cap		9	Pc
5		Frame to Wall Channel Screws	ST4x10	9	Pc
6		Door Panel	780x6	1	Pc
7		Handle		1	Pc
8		Return Panel	822x5	1	Pc
9		Door Bottom Seal	780	1	Pc
10		Back Door Seal		1	Pc
11		Pivots Top and Bottom		2	Pc
12		Pivot Screw Cap		2	Pc

LAYOUT PLAN



IMPORTANT! Before you start read through to get the concept.

- 1** Mark out the wall channels 10mm off acrylic tray edge.
- 2** If the tray is not level or walls are out of plumb protruding or curving inwards more than 4mm recalculation of this position as required. Use the Min to Max Table below.
- 3** Plumb and mark the boundary lines of wall channels and predrill a 2mm lead hole in the liner.
- 4** Apply a continuous 7mm bead of silicone on the back of channel, fasten to wall ensuring these remain plumb.

INSTALLATION STEPS: PAGE 5 TO 8

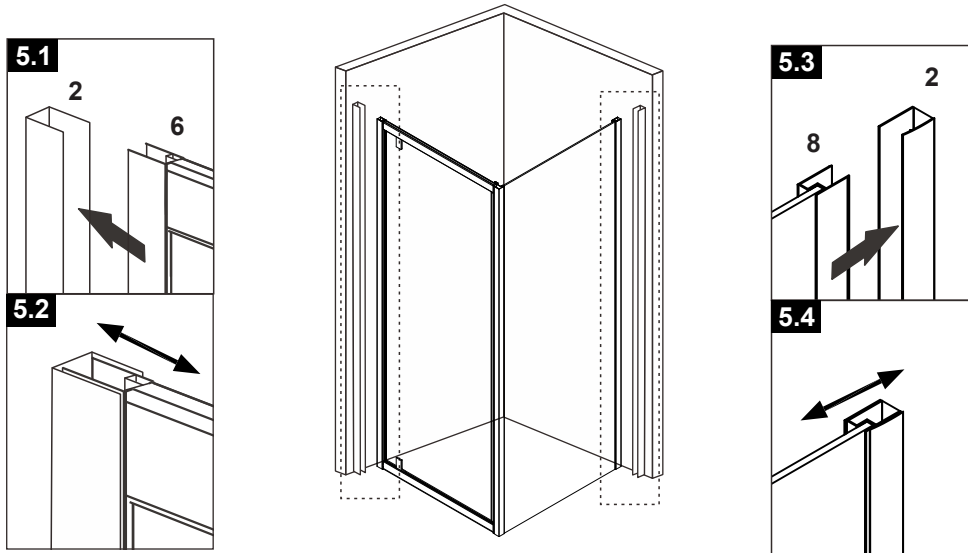
MINIMUM AND MAXIMUM TABLE

Wall out of plumb will not allow the full minimum / maximum range.

SHOWER TYPE	FRONT PANEL (A) MIN/MAX	RETURN PANEL (B) MIN/MAX
900 x 900 Square (2 Sided)	870mm to 890mm	870mm to 890mm

INSTALLATION

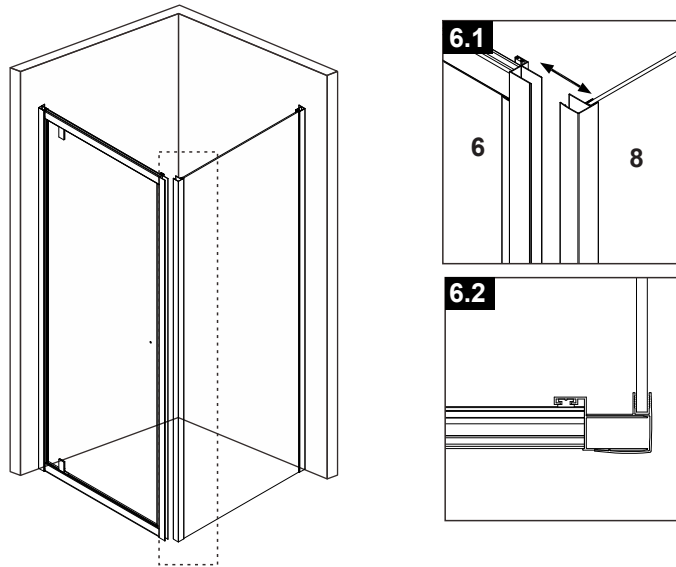
5



Install door set and return panels into wall channels.

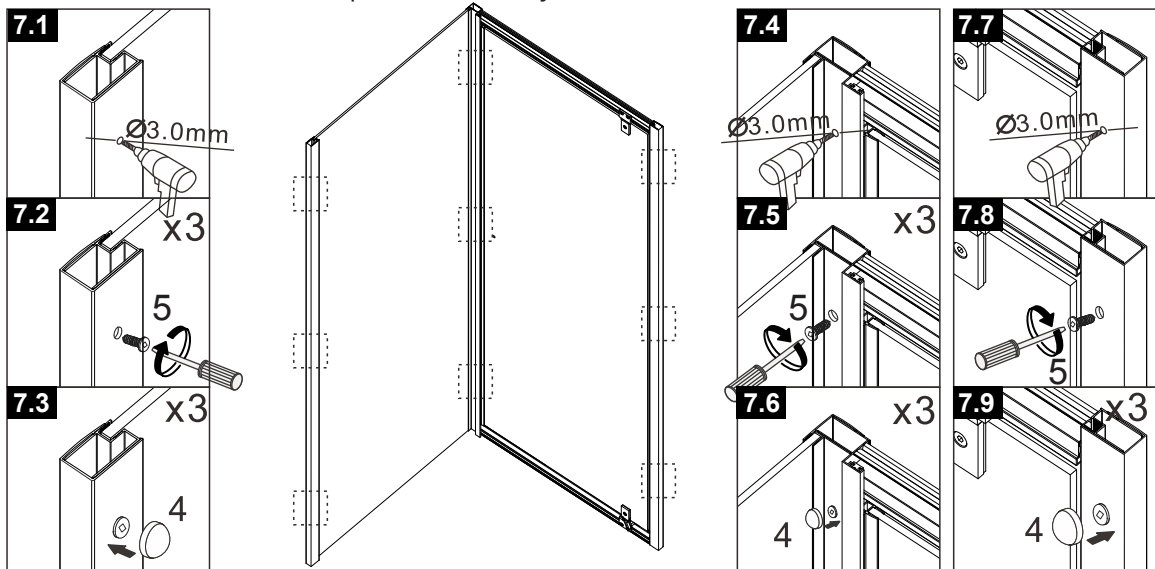
6

Join the two panels at corner.



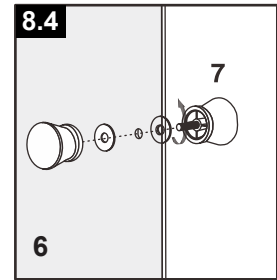
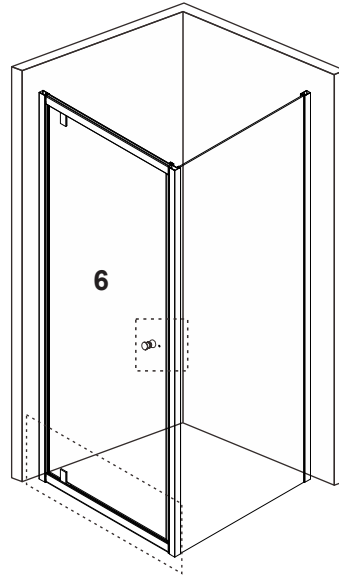
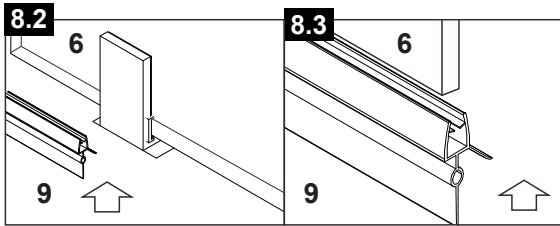
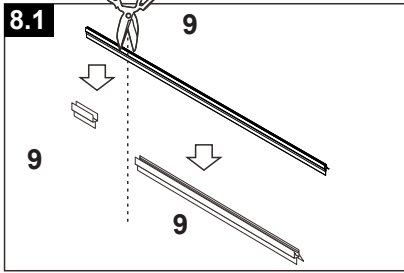
7

Fasten outside corner, square up door in frame. Align shower screen to tray and wall channels. Fasten at corner, plumb each way at corner and fasten to wall channels.



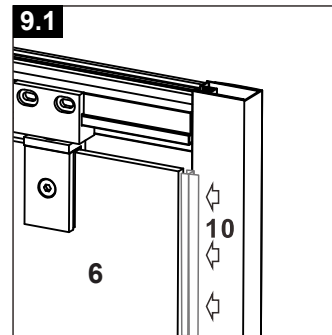
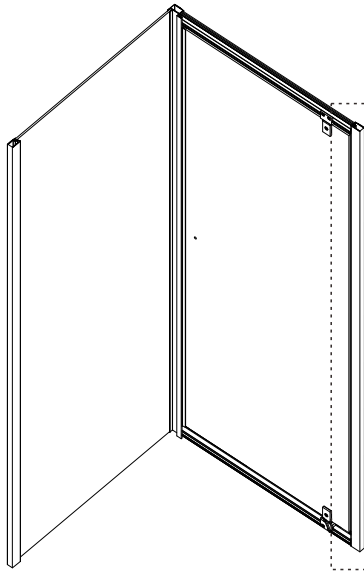
INSTALLATION

8



Fit door parts.

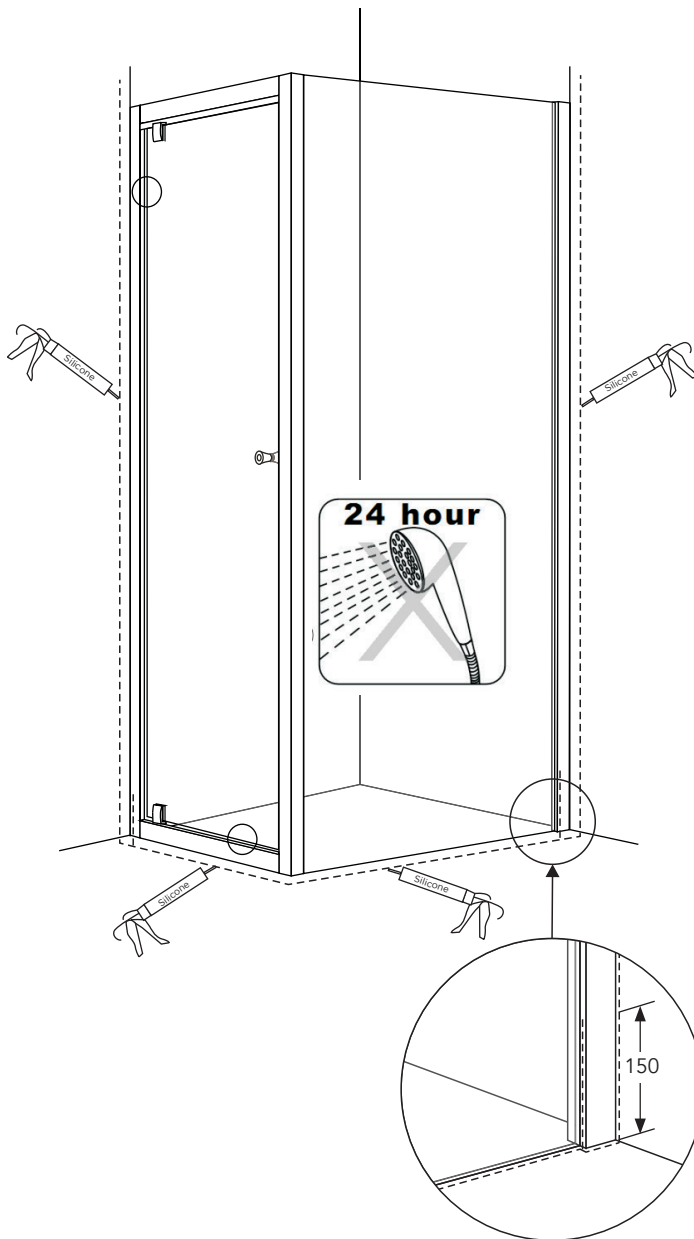
9



Fit back door seal and make final adjustments to door.

INSTALLATION

10 Apply Silicone Sealant around the outside as shown.



! ALLOW 24 HOURS FOR SILICONE TO FULLY DRY BEFORE USE.

! **Silicone is not used on the inside of the shower screen because water can build up over time within the wall channel and leak out of the shower area. The screen is designed to allow the water to return into the shower area, if any is present.**

SCREENS THAT ARE SEALED ON THE INSIDE WILL VOID WARRANTY.



Seal the join between wall channel and frame. 150mm up from base on both sides.

CONTACT

STEIN

54 Unutoto Place, Tauriko, Tauranga, 3171

Freephone: 0800 002 299

Phone: 07 928 9990

Email: info@stein.co.nz

stein.nz