



MIMOSA®

Cordoba White Sunlounge
Installation Guide

The first part of the document discusses the importance of maintaining accurate records of all transactions. It emphasizes that every entry, no matter how small, should be recorded to ensure the integrity of the financial data. This includes not only sales and purchases but also expenses and income. The document provides a detailed explanation of how to categorize these transactions and how to use a double-entry system to ensure that the books are balanced. It also discusses the importance of regular audits and how to identify and correct errors before they become significant.

The second part of the document focuses on the practical aspects of bookkeeping. It provides a step-by-step guide to setting up a ledger and how to record transactions. It includes examples of how to handle common situations, such as sales on credit, returns, and discounts. The document also discusses the importance of keeping up-to-date records and how to use them to generate financial statements. It provides a detailed explanation of how to calculate profit and loss and how to use this information to make informed business decisions.

The third part of the document discusses the importance of maintaining accurate records of all transactions. It emphasizes that every entry, no matter how small, should be recorded to ensure the integrity of the financial data. This includes not only sales and purchases but also expenses and income. The document provides a detailed explanation of how to categorize these transactions and how to use a double-entry system to ensure that the books are balanced. It also discusses the importance of regular audits and how to identify and correct errors before they become significant.

Cordoba White Sunlounge

POWDER COATED ALUMINIUM FRAME

Padded Sling with Heat Seal

ITEM NO. : 0583705

4.



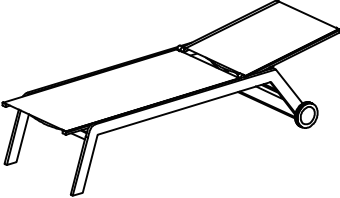

**Please carefully read the below warnings and instructions.
Save the instructions for future reference.**

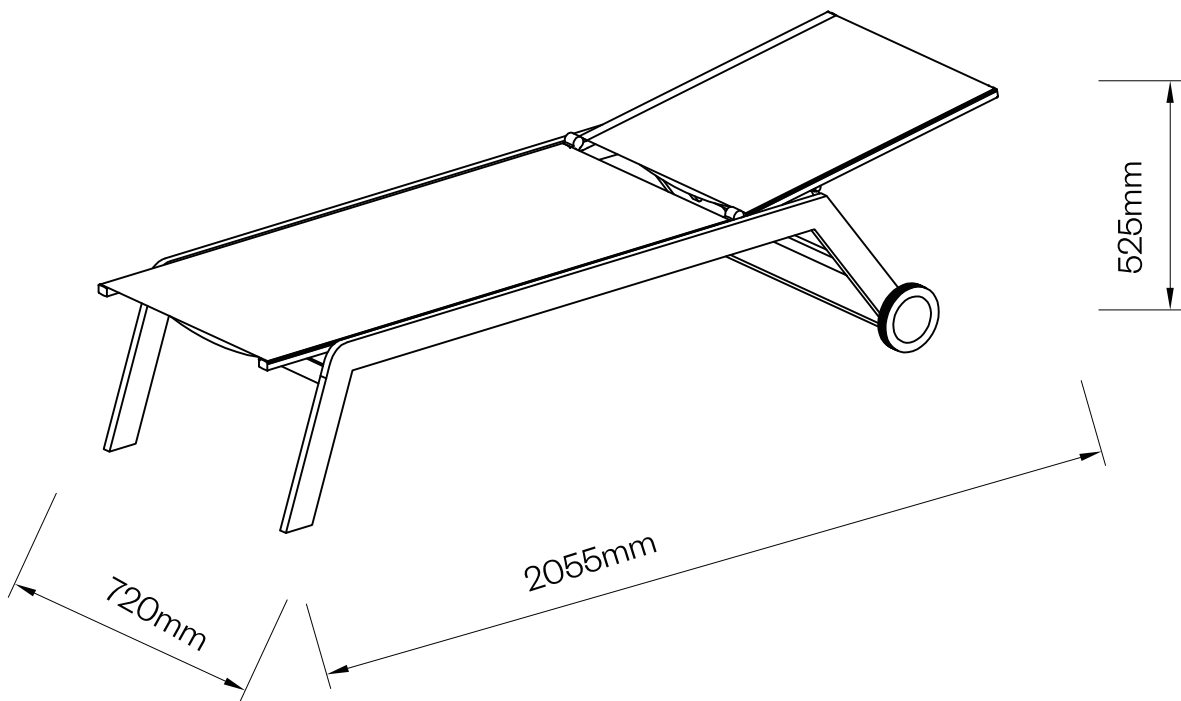
- Please carefully read all instructions before assembly and use.
- Please separate and identify all parts, ensuring that you have all parts listed.
- Assembly to be carried out by a competent adult.
- During assembly children should be kept away from the product due to possible risk of injury, small parts, and sharp fittings.
- Do NOT use power tools to assemble the product.
- Don't tight all the bolts before the product is fully assembled. Be careful not to over tighten the nuts during assembly.
- Please check the fixings are all tight monthly.

Recommendation

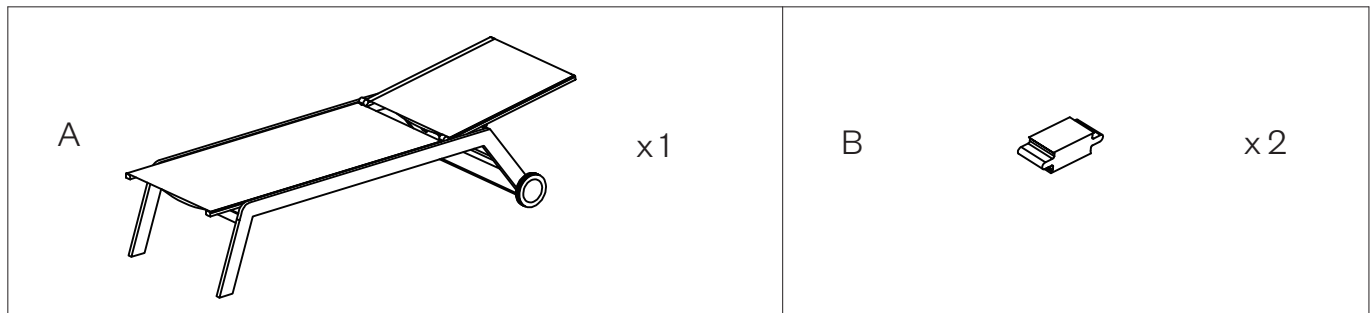
- It would be useful to ask someone to help you assemble the product.
- Retain these instructions for future reference.
- This product is not suitable for extreme weather conditions. Do NOT use in extreme weather condition such as thunderstorm, hailstone, heavy rain, high wind or heavy snow, etc. Warranty claims due to weather events won't be taken into account.
- This piece of furniture has been produced under the best possible conditions and care. However we advise you during constructing or breaking down of this piece of furniture to be aware of sharp metal.
- This product is designed for occasional use only. Do not use as a permanent structure. If no use for long time, dismantle and store safely to prevent any damage occurring.
- You must take into account that fabric may be discolored under the exposure of sunshine. This change is a natural cause, and it is not a factor for claim.
- To extend the life, product should be stored in a dry and ventilated place when not in use and especially over the winter months or during rainy condition. If this is not possible, we advise you to always use a protective waterproof cover when not using the furniture.
- The maximum weight / load of this product is 120kg.
- Wipe clean with damp cloth only using detergent & lukewarm water.

Parts List:

Part No.	Pictures	Description	QTY
A		Sunlounge	1
B		Plug	2

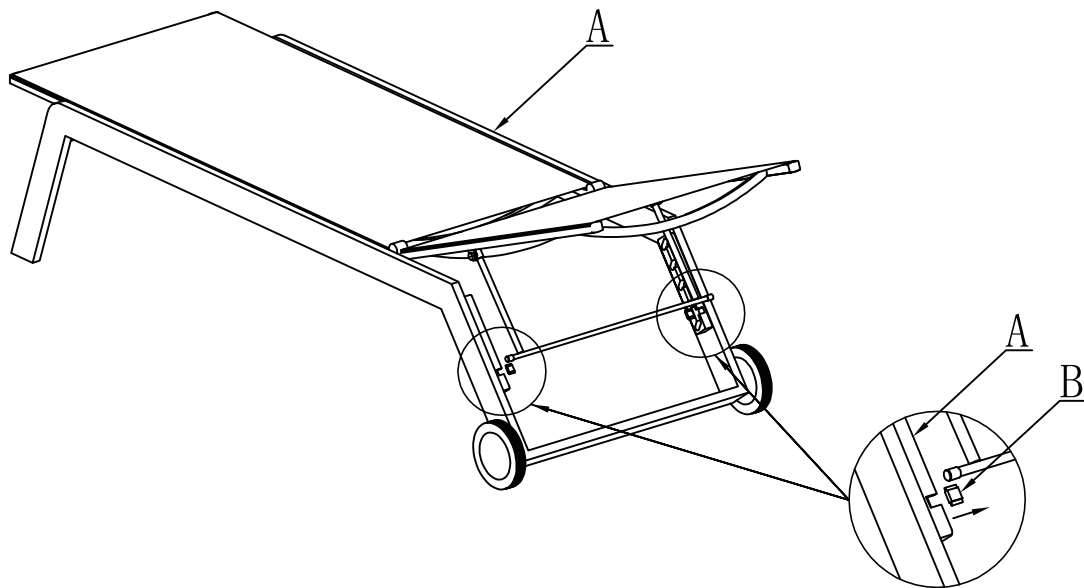


6.



Step 1:

Take out the plugs (B).



Step 2:

After inserting hanging tube to adjustable buckle, then put the plugs (B) back.

