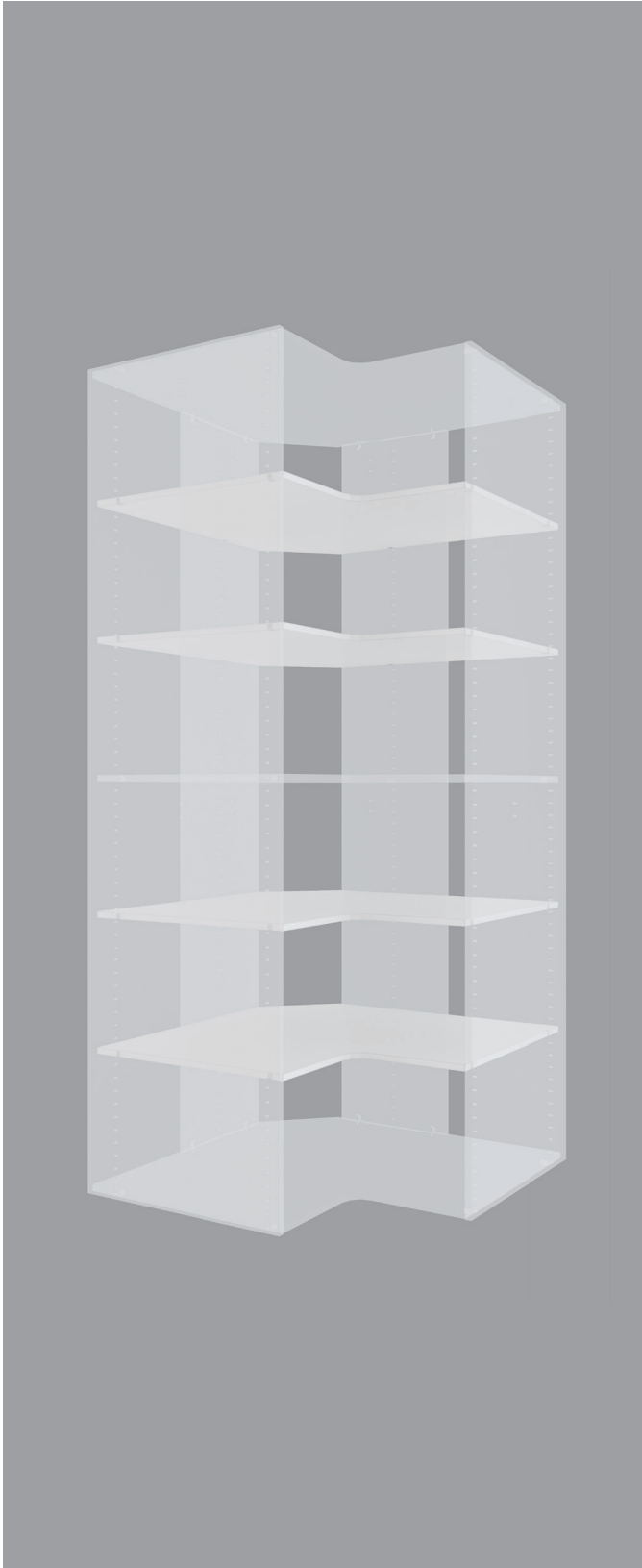


# LUGNA

FORM & FUNCTION



## ASSEMBLY INSTRUCTIONS

### Corner Shelf Insert Kit

Fits to matching Corner Shell  
4 Shelves

*LUGNA understands the importance of timeless style and practical durability for a home's form and function. Our European-inspired collection is simple and easy to use, with five modern colours that complement any style and space. LUGNA's modular system allows for endless configurations and additions, with various-sized cabinets, drawers, shelving, and hinged doors that can be combined to create a bespoke look on any budget. Whether you're looking for something modern and sleek or classic and elegant, LUGNA has something for everyone.*



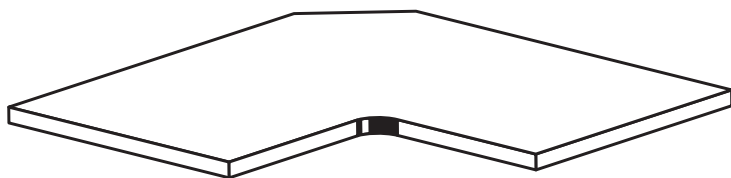
**SCAN** for  
more info

**10 YEAR**  
**WARRANTY**



# Includes

**4x** Adjustable Shelves

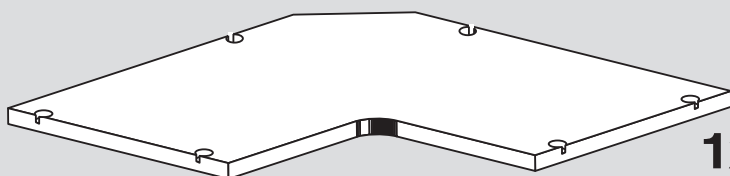


**24x** Shelf Support Pins



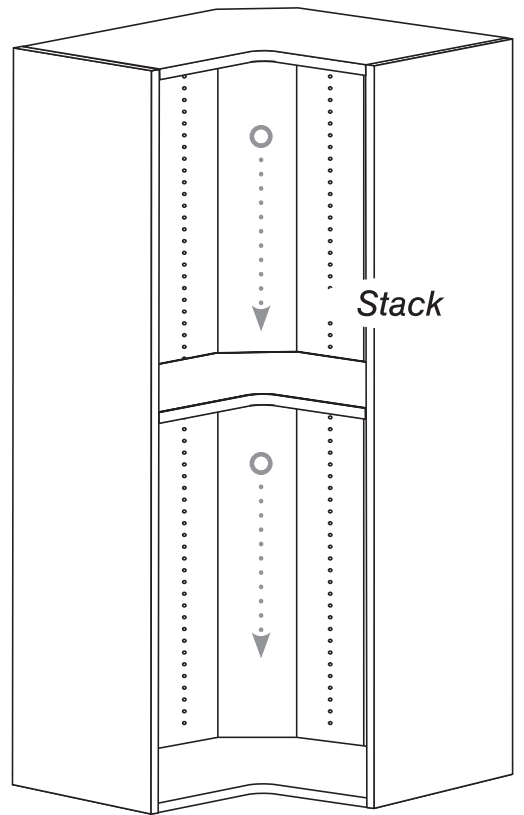
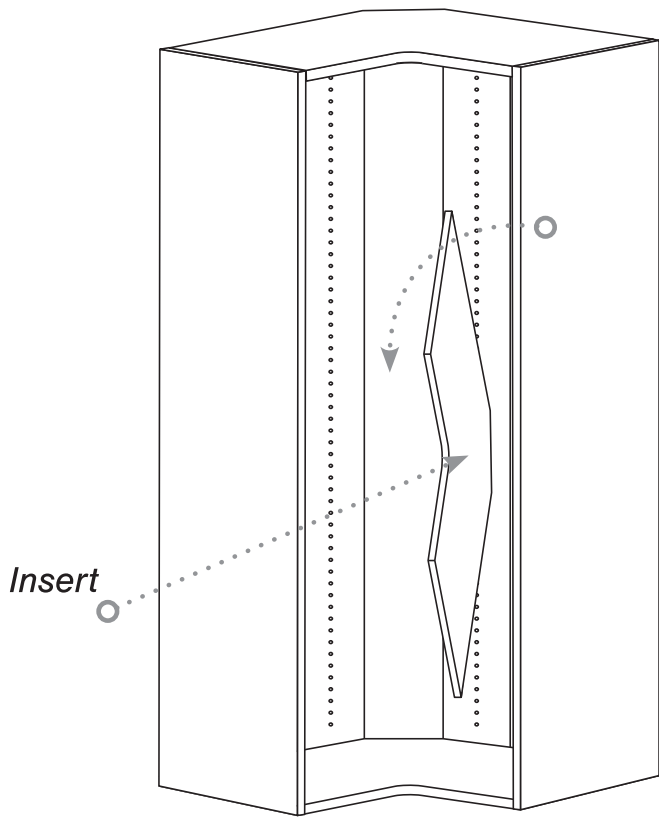
## **Corner Shell - Fixed Shelf**

*The fixed shelf from the corner shell assembly is required to install the 4-shelf insert kit correctly.*

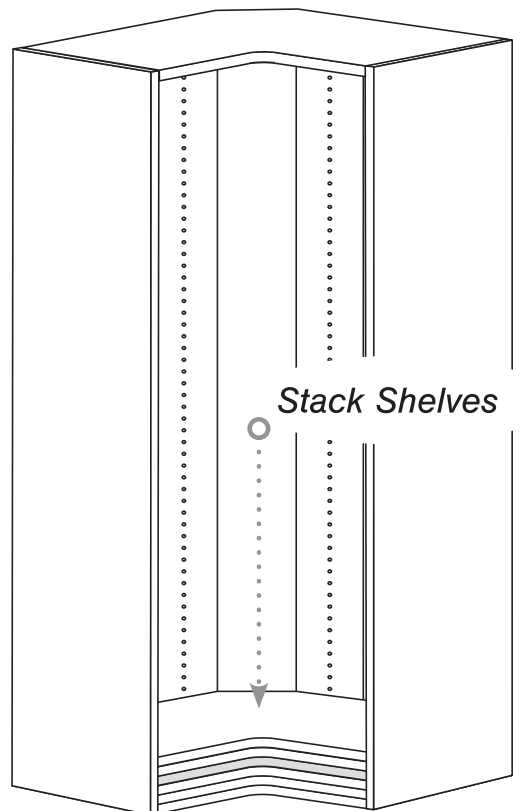
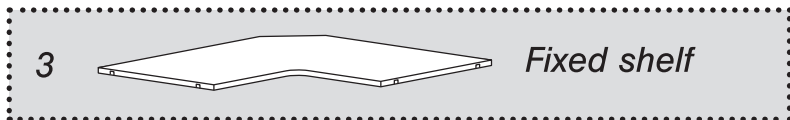


**1x** Fixed Shelf

# STEP 1



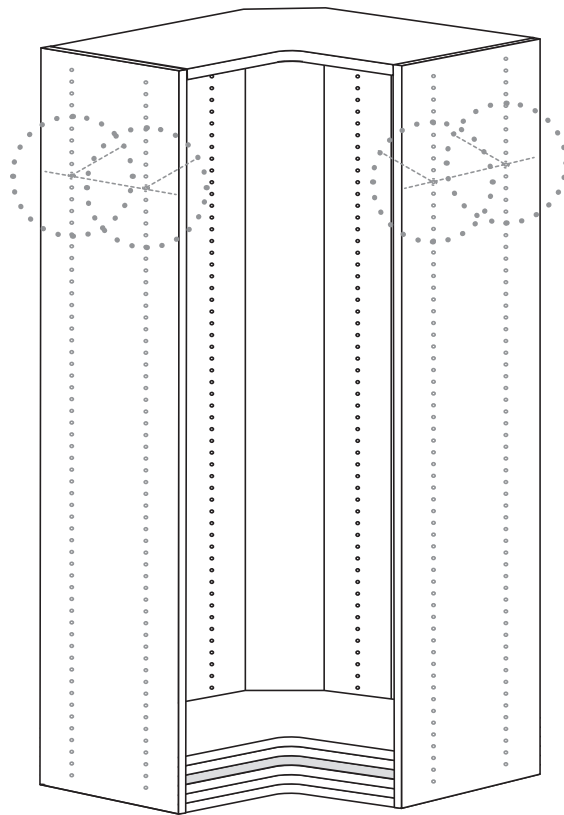
Stack the shelves in the following order.



## STEP 2



4x

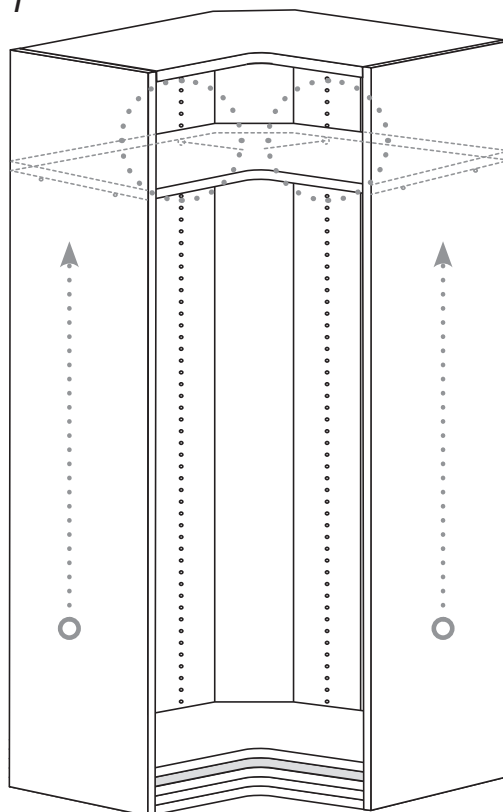


## STEP 3

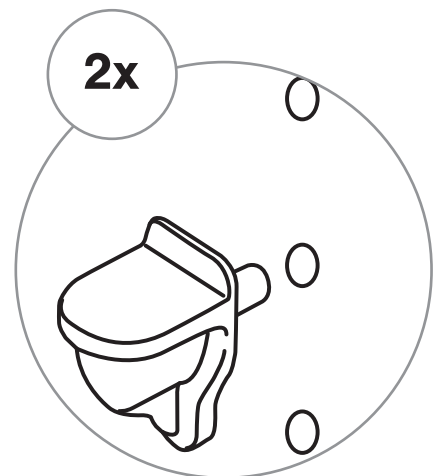


2x

Shelf 1

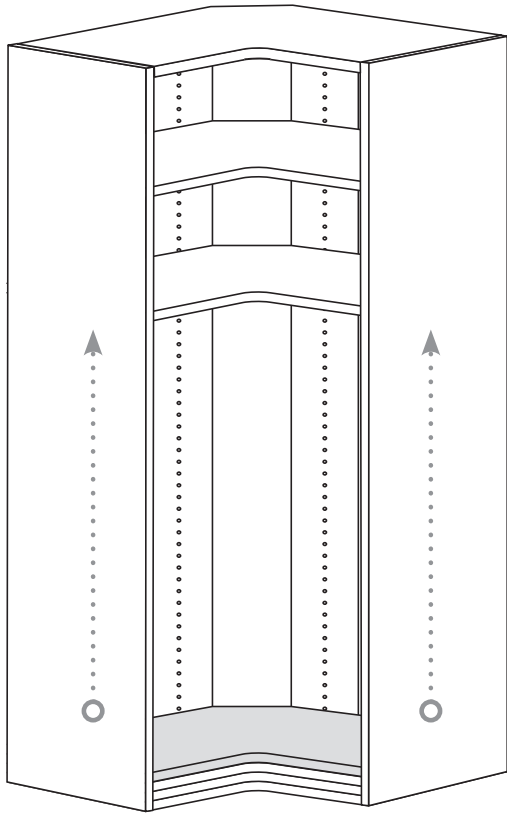


2x



**STEP 4**

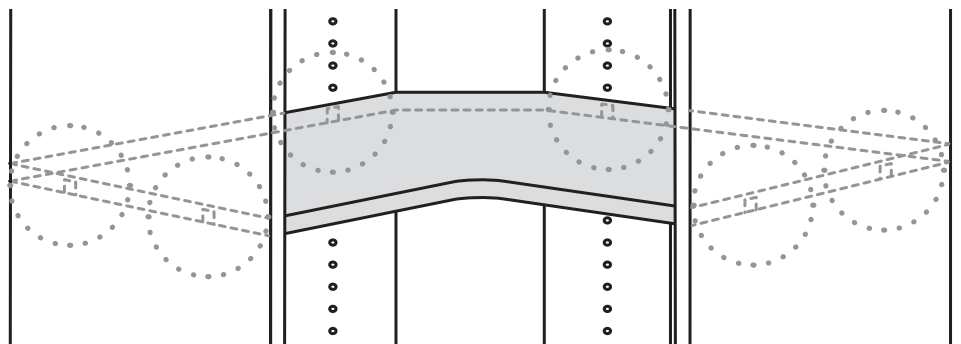
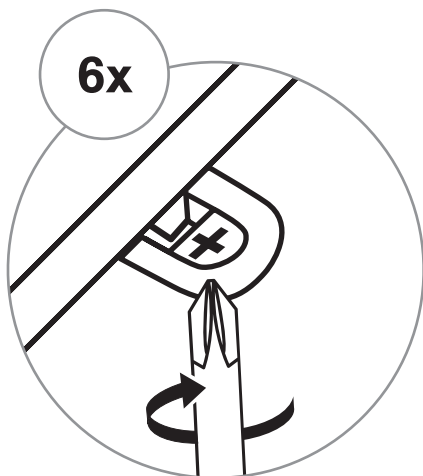
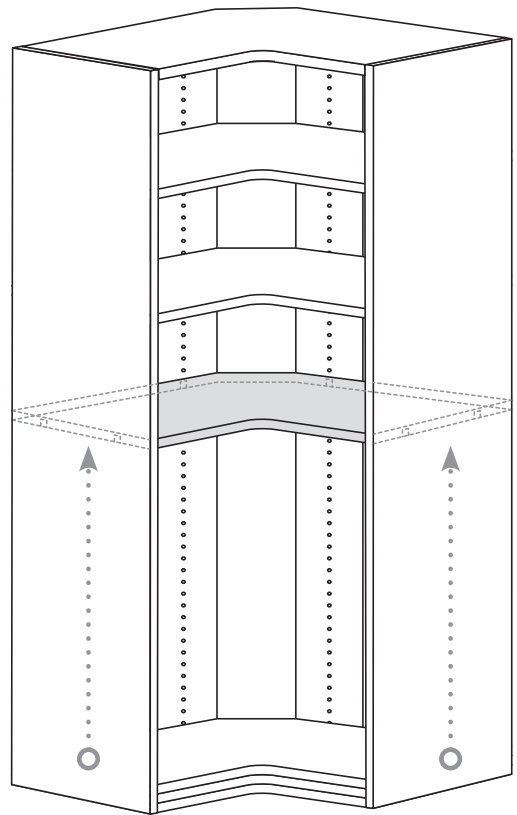
*Shelf 2*



**STEP 5**

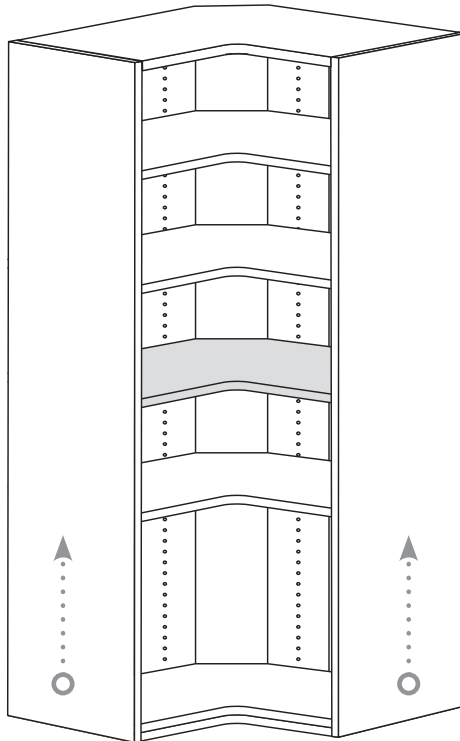
*Shelf 3*

**1x** *Fixed shelf*



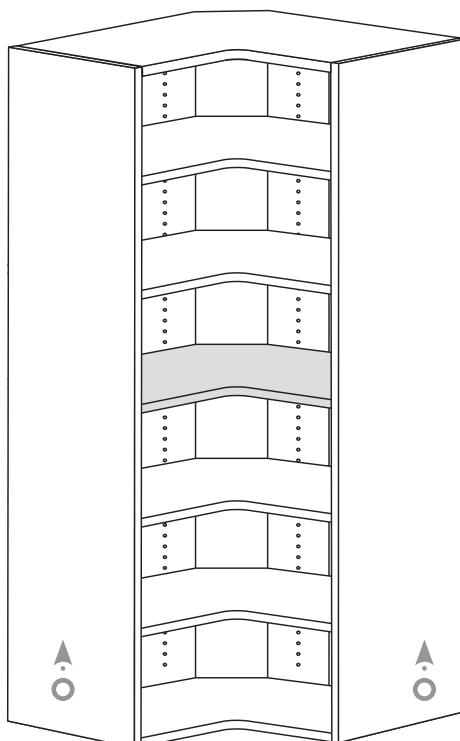
**STEP 6**

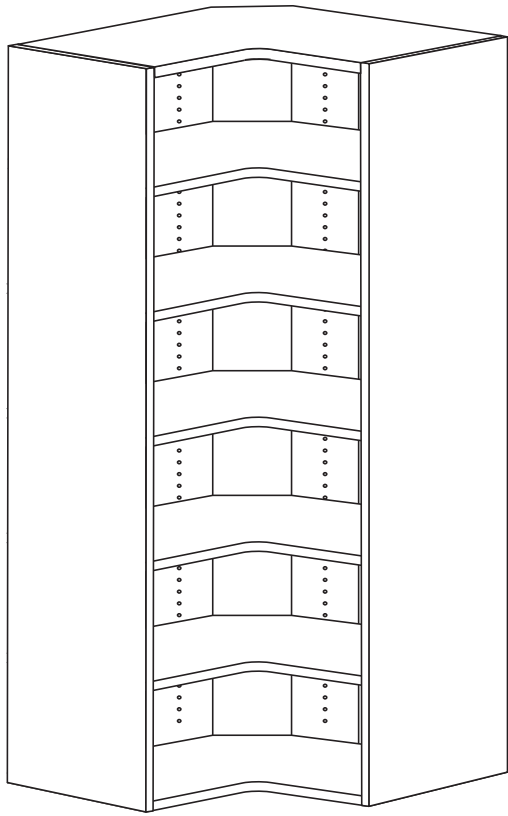
*Shelf 4*



**STEP 7**

*Shelf 5*





# LUGNA

FORM & FUNCTION

## CABINET CARE INSTRUCTIONS

---

### **Everyday care for your cabinets:**

*Liquid spills should be cleaned up as they occur. Liquids and other damp objects, i.e. towels, will eventually cause permanent damage should they be left unattended.*

*Everyday clean-up of cabinets can be done with a damp cloth and a dry cloth. Ensure you use a clean cloth every time when wiping down your cabinets, as foreign dirt, grease, and oils may inadvertently be transferred to the surface.*

### **Cleaning melamine products:**

*Oils, grease, and other soils that do not respond to water can be removed with a solution of mild soap and water. The surface should be rinsed immediately with a clean, damp cloth and dried thoroughly with a soft cloth to avoid streaking or moisture seeping into the seams around the edges.*

**PLEASE NOTE: Never use abrasive cleaners, ammonia, bleaching agents, scouring pads or powdered cleaners on any type of cabinetry.**

### **Cleaning cabinet hardware:**

*Brass and Silver cleaners are not recommended for cleaning handles. Some of these cleaning solutions contain harsh chemicals that may damage the finish on your handles.*

*Wash your hardware with a solution of warm water and a small amount of mild dish detergent. Dry your hardware and areas around the cleaned area immediately.*

*Hinges can be cleaned with a dry cloth or cotton-tipped swab.*