




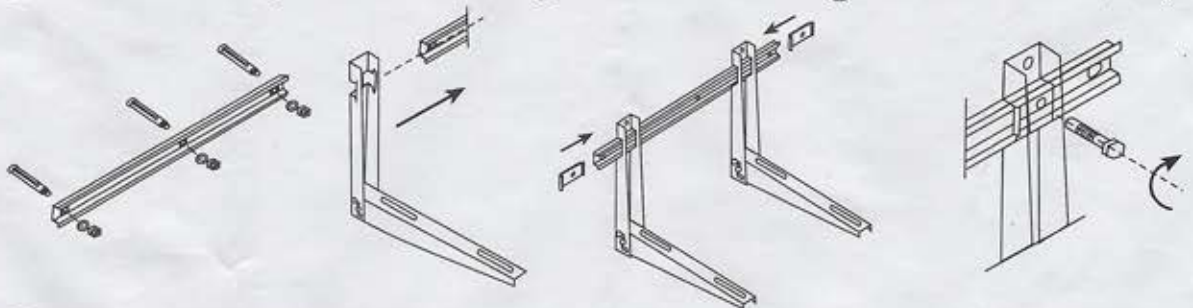


# Instruction

## 1. Bill of fittings

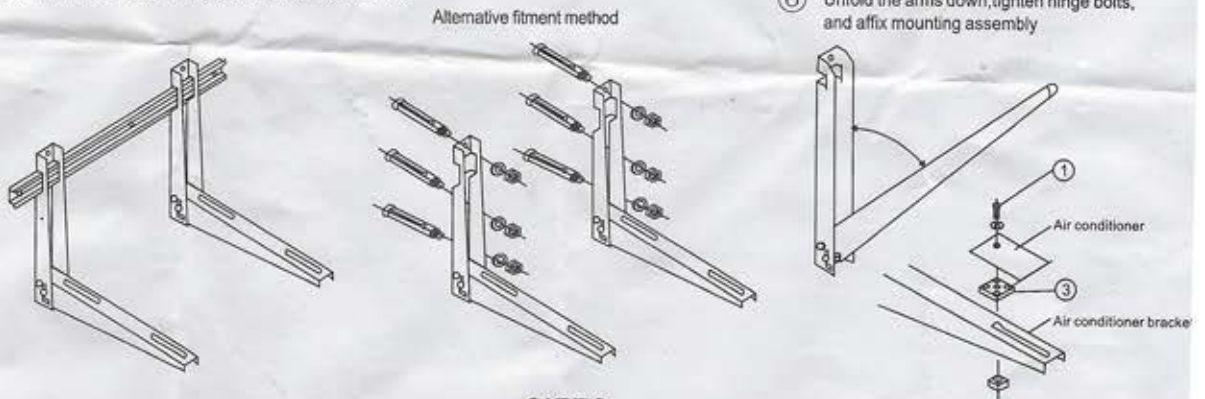
<p>①</p> <p>1.Screw for fastening the out door</p> <p>2. Size : M8*30</p> <p>3. Optional</p> 	<p>②</p> <p>1.Screw for fastening the hanging plate and side plate</p> <p>2. Size : M8*60 (1K)</p> <p>Size : M8*65 (2K)</p> 	<p>③</p> <p>1.Anti-vibration mounts 4 pcs</p> <p>2. Size : 40*40*8mm</p> <p>3. Optional</p> 	<p>④</p> <p>1.Screw for fastening to the wall (SSB460CB/B460CB 5pcs)</p> <p>(SSB560CB/B560CB 5 pcs)</p> <p>2. Size : M8*80</p> 	<p>⑤</p> <p>1.Arm lock 2.2 pcs</p> <p>3.Screw for fastening the fixing metal 2 pcs</p> <p>4. Size:M8*30</p> 
--	---	---	--	---

- ① Fasten crossbar to the wall    ② Slide arms into the crossbar    ③ Slide arm locks into the crossbar    ④ Insert fastener into each arm lock, do not tighten yet

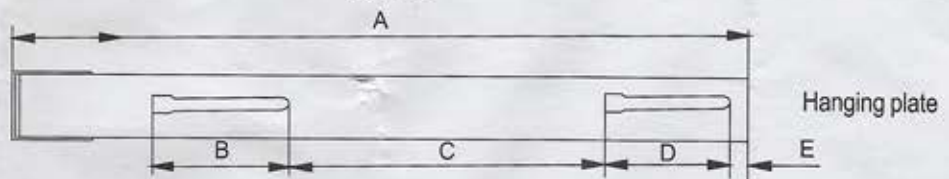


- ⑤ Adjust arms to suit air conditioner and tighten the fasteners

- ⑥ Unfold the arms down, tighten hinge bolts, and affix mounting assembly



## SIZES



Match A/C	Unit	A	B	C	D	E
1—2 HP	mm	450	105	165	74	15
2—3 HP	mm	550	105	235	95	15

- Note:
1. Ensure that the wall bracket is mounted properly to handle applied loads as wall construction may vary.
  2. The wall bracket must be securely fixed to wall with all screws fastened tightly.
  3. Do not make any modification to bracket assembly or fixings
  4. What mentioned is subject to change without notice.
  5. Please check that all screws and bolts are secured tightly before placing the unit on it