

# Mondella

MAESTRO  
CLASSIC STYLE

MAESTRO  
BRUSHED BRASS  
WALL BASIN MIXER

35mm cartridge

Manufactured to Australian Standards  
AS/NZS3718, WMKA21979 DR  
ApprovalMark

Fitted with approved water saving  
devices. WELS Lic No. 1101

Item Number: 0137884  
MON0805



AS/NZS3718  
WMKA21979 DR  
ApprovalMark

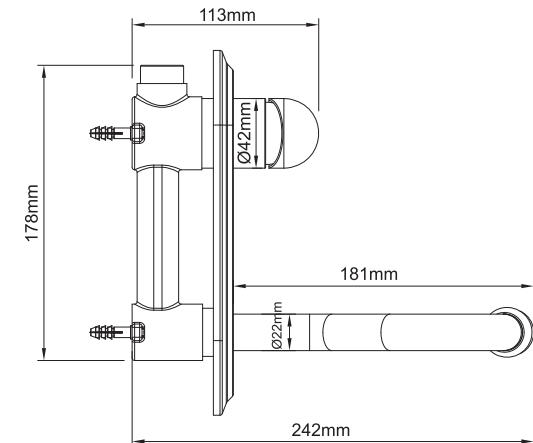
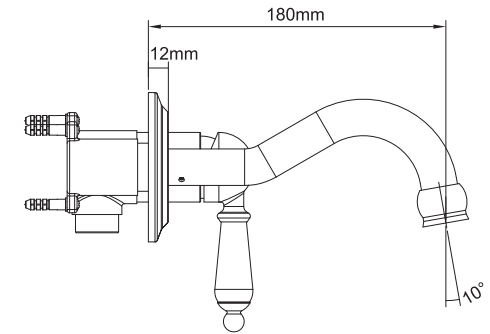
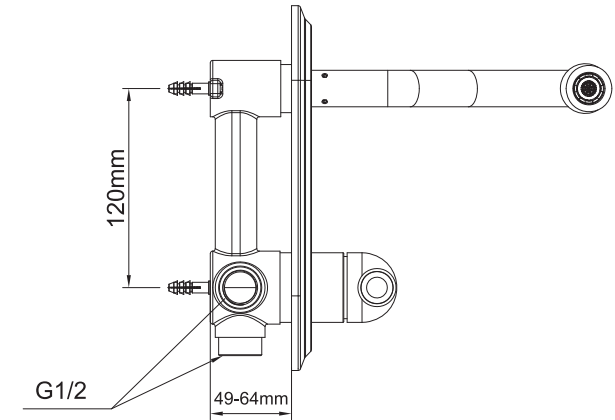
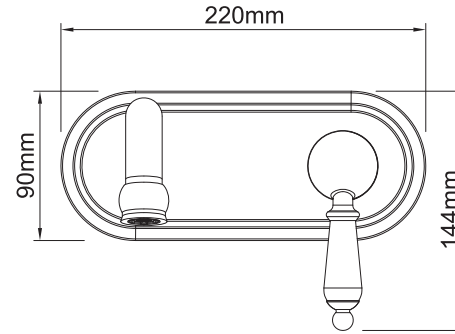


7.5 litres per minute

In accordance with AS/NZS 6400

Licence No. 1101  
Kinetic Sourcing Group Ltd

10  
YEAR  
WARRANTY\*



MON0805-FLV1  
28/07/20

\* refer to [www.mondella.com.au](http://www.mondella.com.au) for full warranty details

All dimensions in millimetres (mm) and subject to manufacturing tolerances.