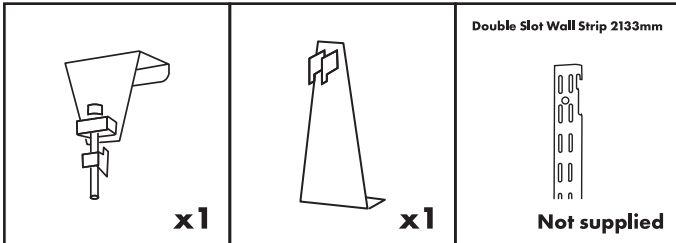
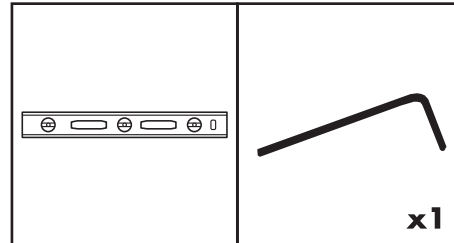


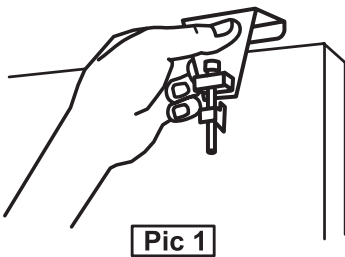
ELEMENT



HARDWARE

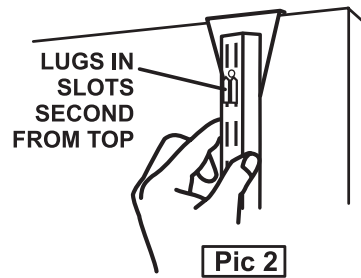


STEP 1



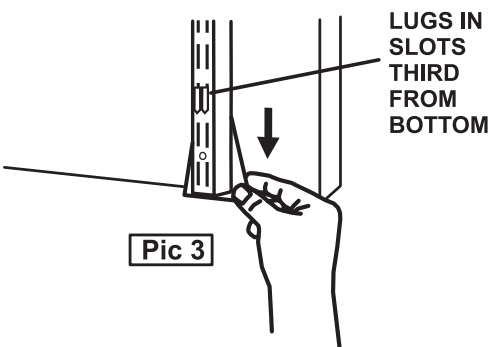
Hook the Top Bracket (with the screw mechanism) over the top of the door. (Pic 1)

STEP 2



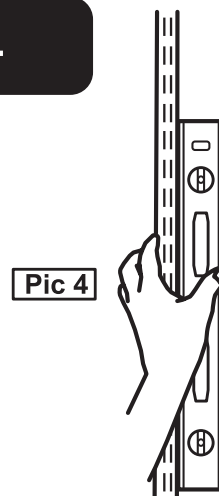
Attach the Wallstrip by inserting the lugs of the Top Bracket into the slots which are second from the top of the Wallstrip. (Pic 2)

STEP 3



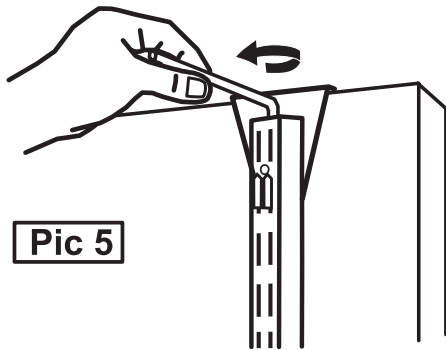
Attach the Bottom Bracket to the Wallstrip by inserting the lugs into the slots which are third from the bottom of the Wallstrip. Pull the Bracket down and secure under the door. (Pic 3)

STEP 4



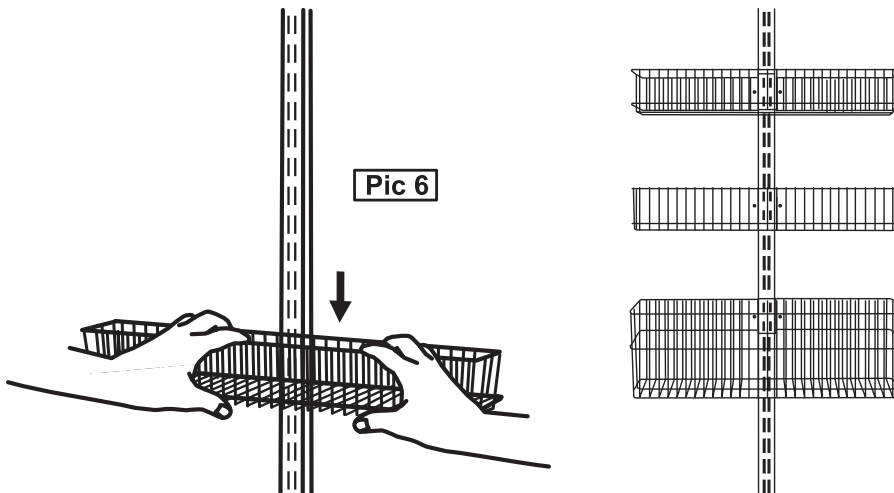
Using a spirit level, ensure the Wallstrip is vertical. (Pic 4)

STEP 5



Tighten the screw in the Top Bracket using the Allen Key supplied. (Pic 5)

STEP 6



Attach Rack to slots in Wallstrip at your desired height. Secure by pushing downward. (Pic 6)

DISTRIBUTED BY:
Visy Retail Services Pty Ltd (AU): 1300 734 714
Visy Board Limited (NZ): 0800 443 058

For more information please visit:
flexistorage.com.au
flexistorage.co.nz