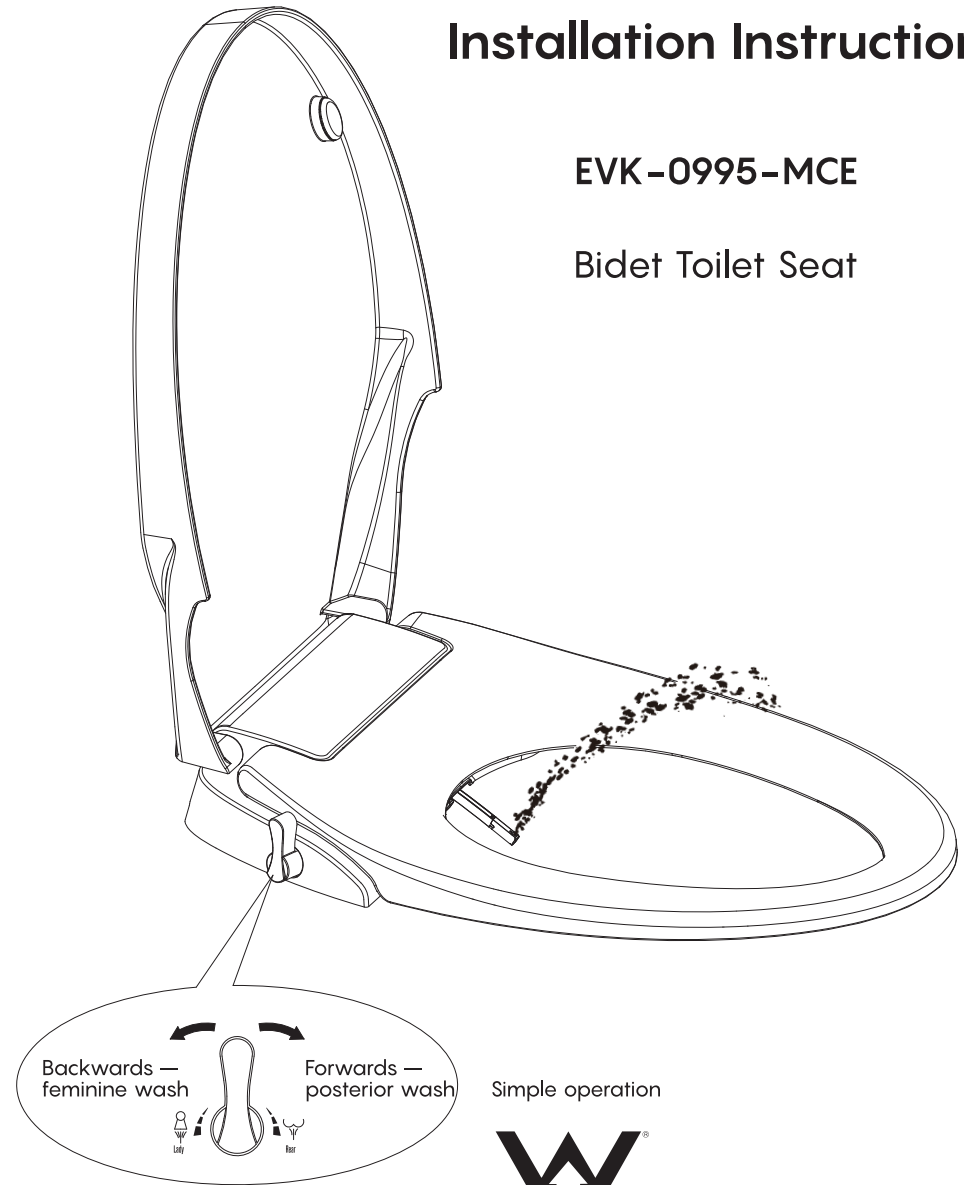


# evekare™

## Installation Instructions

**EVK-0995-MCE**

**Bidet Toilet Seat**



Aftermarket support and technical advice  
E: [warranty@evkare.com.au](mailto:warranty@evkare.com.au)  
T: (02) 9524 4515

Simple operation



WMTS-051:2021  
WM74937  
ApprovalMark

## SPECIFICATIONS

Classification	Description
Posterior wash flow rate	0.35 — 1.8 L/min
Feminine wash flow rate	0.35 — 1.8 L/min
Water supply	Tap water
Water pressure range	Static pressure: 100 kPa — 500 kPa
Water Temperature	Maximum 40°C

### ⚠ CAUTION

Please do not disassemble, repair, or modify the product.

The water supply must be potable (drinking) water. Rain water, grey water or recycled water must not be used as doing so may lead to skin irritation or infection.

### ⓘ REAR ENTRY SYSTEMS

Included components are suitable for bottom entry cisterns. Rear entry cisterns may require additional components.

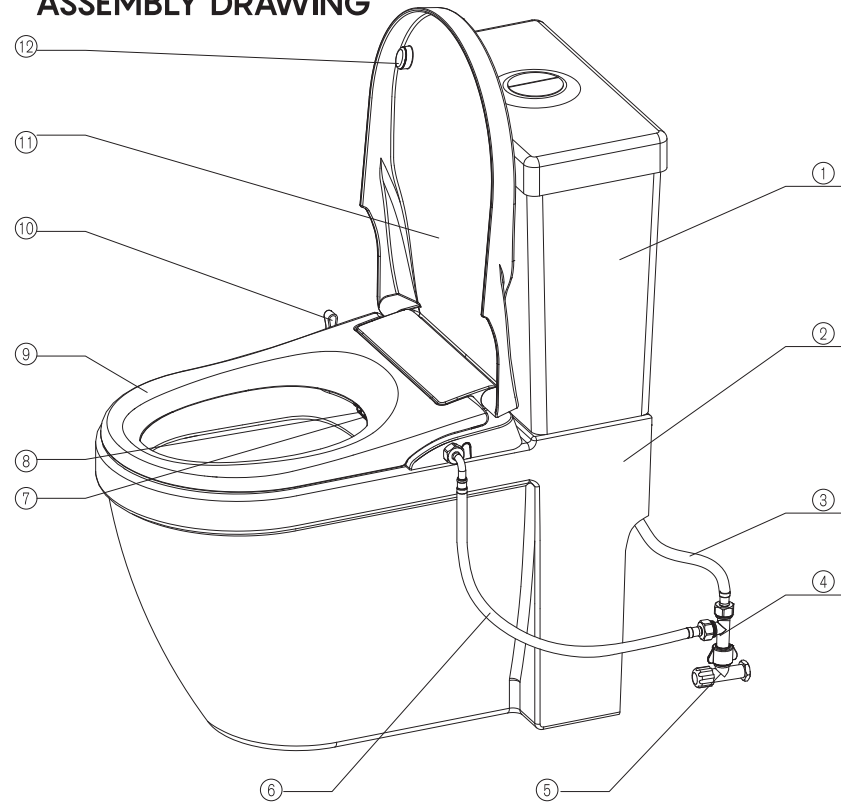
### IMPORTANT!

This product should be installed by a licensed plumber in accordance with AS/NZS 3500 and any other local, state and national building codes and regulations.

**⚠ WARNING:** THIS TOILET DOUCHE SEAT MUST BE INSTALLED WITH APPROPRIATE BACKFLOW PROTECTION CONFORMING TO THE NATIONAL CONSTRUCTION CODE - VOLUME THREE.

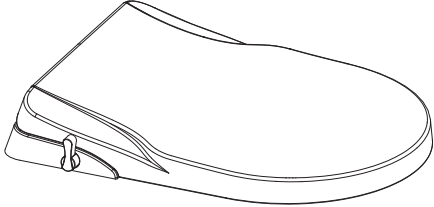
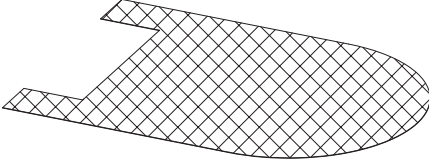


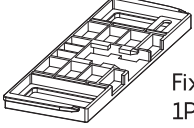





Note: Check the above solutions for compliance with your local, state and national building codes and regulations, prior to installation.

## ASSEMBLY DRAWING



1. Cistern (not included)
2. Pan (not included)
3. Flexible hose (not included)
4. Tee adapter
5. Isolation valve (not included)
6. Flexible hose (600mm long)
7. Posterior wash nozzle
8. Feminine wash nozzle
9. Seat rim
10. Control knob
11. Seat cover
- 12 Buffer

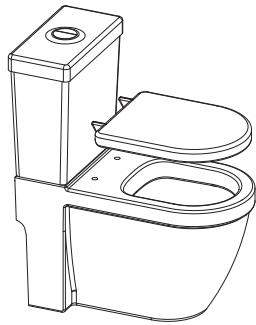
## COMPONENTS

Seat 1PC 		Template 1PC 	
 Bolts 2PCS	 Spigots 2PCS (top entry only)	 Fixing plate 1PC	
 Washers 2PCS	 Plastic nuts 2PCS (bottom entry only)		
 600mm Long Flexible hose 1PC	 Tee adapter 1PC	 Installation Instructions 1PC	

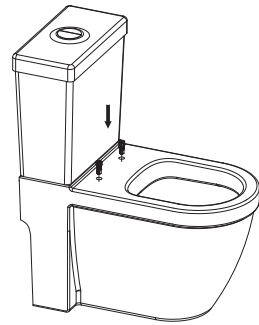
## INSTALLATION PROCEDURE

### Note:

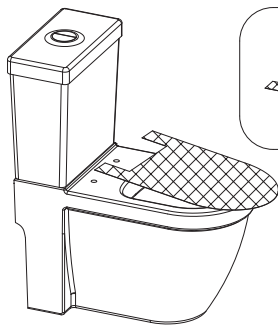
1. The below procedure shows top installation. For bottom installation, where access to the underside of the pan is available, the plastic nuts are used instead of the spigots (step 2).
2. The product can be connected to a warm water supply, however, the water temperature must not exceed 40 °C. A tempering valve should be installed in order to avoid injury.
3. The supply water pressure must be between 100 kPa and 500 kPa.



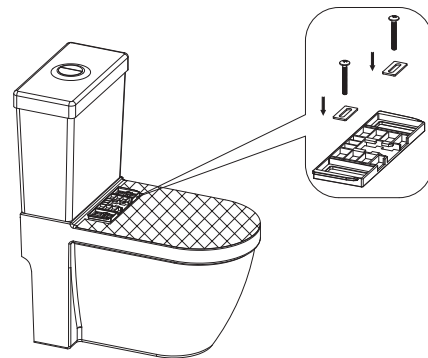
① Disassemble and remove the old toilet seat.



② Insert spigots into the pan holes.

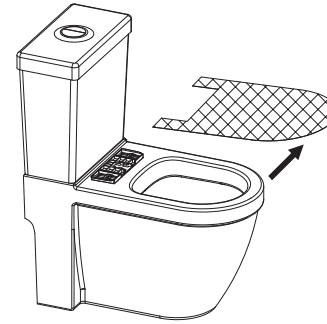


③ Align the template with the pan.

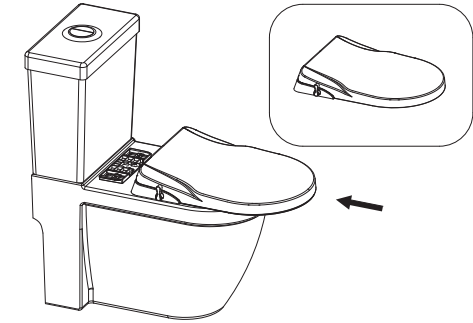


④ Position the fixing plate within the template cut out, then install the bolts and washers.

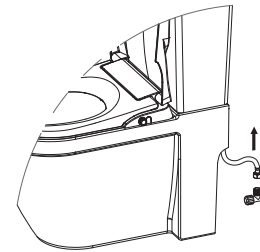
## INSTALLATION PROCEDURE



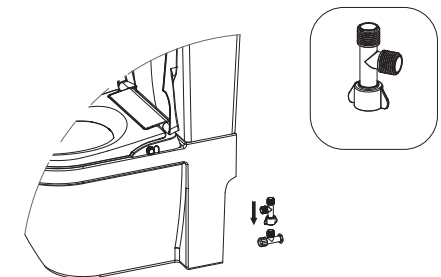
⑤ Remove the template.



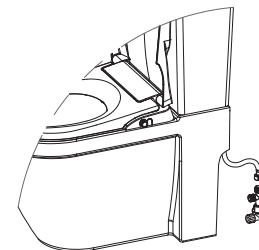
⑥ Whilst holding down the seat release button, slide the bidet seat onto the fixing plate and push it to the end until a "click" is heard.



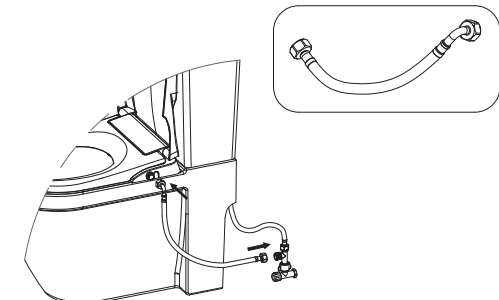
⑦(a) Turn off the isolation valve and uninstall the inlet valve hose.



⑦(b) Connect the Tee adapter to the isolation valve, ensuring that the sealing washer is present in the Tee adapter. NOTE: the Tee connection should be hand tight, DO NOT use tools to tighten, DO NOT over tighten.



⑦(c) Install the inlet valve hose onto one end of the Tee adapter.

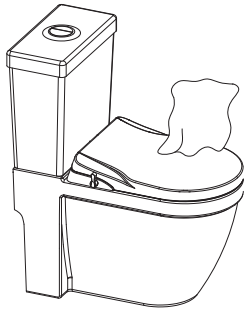


⑦(d) Install the bidet hose to the other end of the Tee adapter. Turn on water supply and check all joints for leaks.

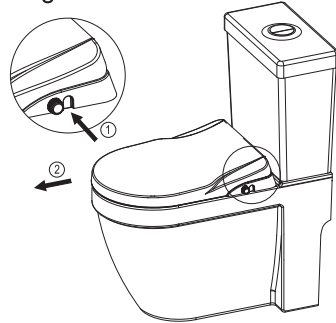
## MAINTENANCE

### ① Surface cleaning

Use a smooth sponge/cloth with diluted kitchen detergent to clean the product. The following things are forbidden to use for surface cleaning: hydrogen chloride detergent, paint thinner, benzene, abrasive paper, polishing agent, fragrance and insecticide, etc.

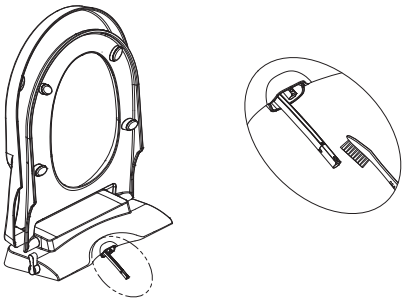


### ② Removing the seat



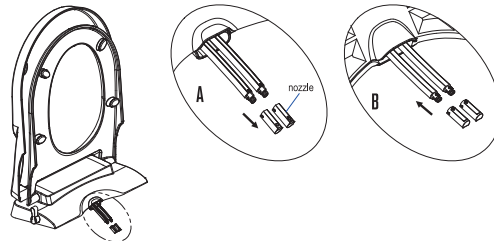
Keep the lid closed. Push and hold the seat release button on the side, then slide the seat towards the front of the pan as shown above.

### ③ Nozzle cleaning



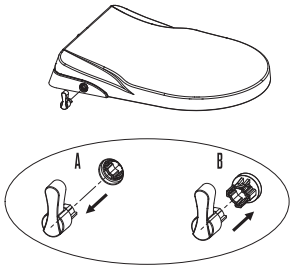
Pull out the nozzle softly and clean with a cloth/sponge or toothbrush and a mild kitchen detergent.

### ④ Nozzle replacement



1. Pull out the nozzle softly and hold the tube. Remove the nozzle along the arrow direction as shown in figure A.
2. Hold the tube and insert the new nozzle along the arrow direction as shown in figure B.

### ⑤ Control knob replacement



1. Pull out the old control knob along the arrow direction as shown in figure A.
2. Insert the new control knob along the arrow direction as shown in figure B.

## TROUBLE SHOOTING

Status	Cause	Solution
Weak spray	Bidet valve is not fully opening	Ensure the control knob is fully turned to the maximum position
	Isolation valve is partially open	Further open the isolation valve to allow more water flow to the bidet
No water is coming out of the nozzle	Isolation valve is closed	Open the isolation valve
	Filter screen in the flexible hose is blocked	Clean the filter screen
	Nozzle is stuck	Take of the nozzle and clean it
	Water supply pressure is too low	Increase the external water pressure
Water leaking from the bidet seat base	Water supply pressure is too high	Ensure the maximum pressure does not exceed 500 kPa
Water is spraying towards the rear only	The control knob is in the wrong position	The bidet toilet seat has two cleaning modes, posterior (rear) and feminine (front).  Move the control knob (lever) to the forward position for posterior and in the backward position for feminine.
Water is spraying towards the front only	The control knob is in the wrong position	
If the above remedies are still insufficient, please contact aftermarket support: E: <a href="mailto:warranty@evokare.com.au">warranty@evokare.com.au</a> T: (02) 9524 4515		