



18V LITHIUM ION

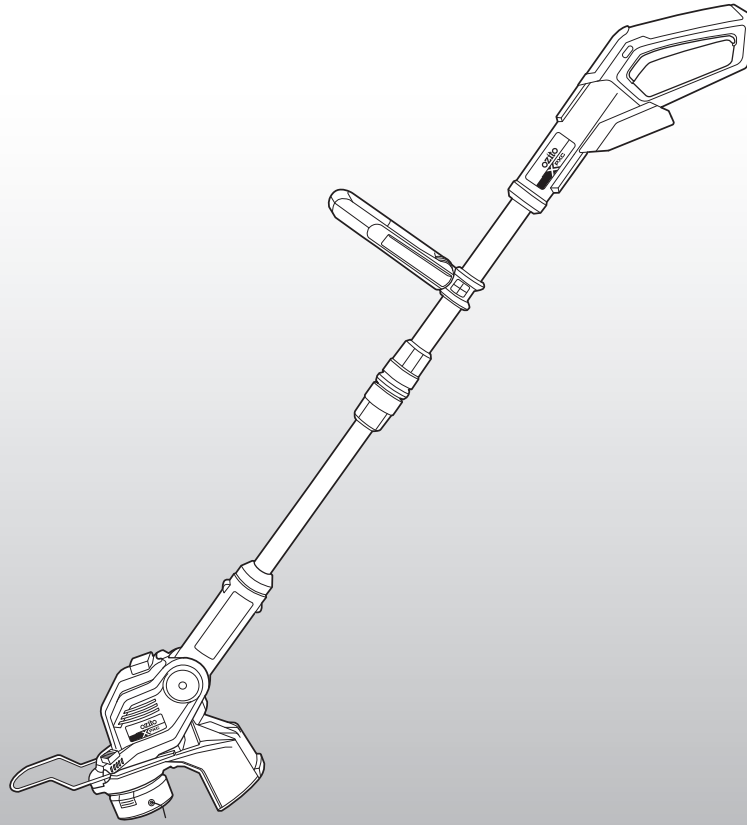
CORDLESS LINE TRIMMER

INSTRUCTION MANUAL

SPECIFICATIONS

| | |
|----------------|----------------|
| Input: | 18V |
| No Load Speed: | 8,000/min |
| Cutting Width: | 280mm |
| Cutting Line: | Ø1.6 x 5m max. |
| Line Feed: | Automatic |
| Noise Rating: | 96dB |
| Weight: | 2.65kg |

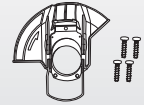
ozito.com.au



STANDARD EQUIPMENT



Line Trimmer



Safety Guard & Screws

5 YEAR
REPLACEMENT WARRANTY

PXLTS-180

WARRANTY

IN ORDER TO MAKE A CLAIM UNDER THIS WARRANTY YOU MUST RETURN THE PRODUCT TO YOUR NEAREST BUNNINGS WAREHOUSE WITH YOUR BUNNINGS REGISTER RECEIPT. PRIOR TO RETURNING YOUR PRODUCT FOR WARRANTY PLEASE TELEPHONE OUR CUSTOMER SERVICE HELPLINE:

Australia 1800 069 486

New Zealand 0508 069 486

TO ENSURE A SPEEDY RESPONSE PLEASE HAVE THE MODEL NUMBER AND DATE OF PURCHASE AVAILABLE. A CUSTOMER SERVICE REPRESENTATIVE WILL TAKE YOUR CALL AND ANSWER ANY QUESTIONS YOU MAY HAVE RELATING TO THE WARRANTY POLICY OR PROCEDURE.

WARNING

The following actions will result in the warranty being void.

- If the tool has been operated on a supply voltage other than that specified on the tool.
- If the tool shows signs of damage or defects caused by or resulting from abuse, accidents or alterations.
- Failure to perform maintenance as set out within the instruction manual.
- If the tool is disassembled or tampered with in any way.
- Professional, industrial or high frequency use.

The benefits provided under this warranty are in addition to other rights and remedies which are available to you at law.

Our goods come with guarantees that cannot be excluded at law. You are entitled to a replacement or refund for a major failure and for compensation for any other reasonably foreseeable loss or damage. You are also entitled to have the goods repaired or replaced if the goods fail to be of acceptable quality and the failure does not amount to a major failure.

Generally you will be responsible for all costs associated with a claim under this warranty, however, where you have suffered any additional direct loss as a result of a defective product you may be able to claim such expenses by contacting our customer service helpline above.

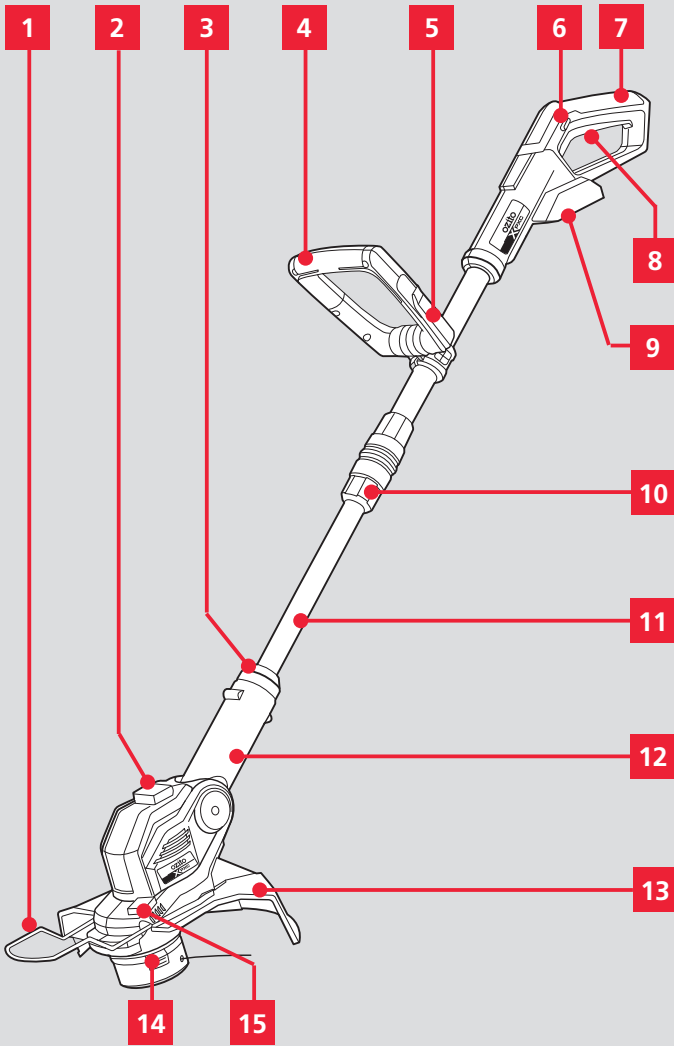
5 YEAR REPLACEMENT WARRANTY

Your Product is guaranteed for a period of 60 months from the original date of purchase and is intended for DIY (Do It Yourself) use only. If a product is defective it will be replaced in accordance with the terms of this warranty. **Lithium Ion batteries and chargers are covered by a 36 month warranty** and are excluded from the warranty extension. Warranty excludes consumable parts, for example: cutting line.

KNOW YOUR PRODUCT

CORDLESS LINE TRIMMER

1. Edging Guide
2. Tilting Head Lock
3. Rotating Head Lock
4. Additional Handle
5. Adjustable Handle Lock
6. Safety Switch
7. Sure Grip Handle
8. On/Off Trigger
9. Battery Seating
10. Shaft Lock
11. Telescopic Shaft
12. Rotating Head Adjustment
13. Safety Guard
14. Cutter Head
15. Edging Guide Lock



BATTERY & CHARGER

This tool is compatible with all batteries & chargers from the Ozito PXC range.

ONLINE MANUAL

Scan this QR Code with your mobile device to take you to the online manual.



SETUP & PREPARATION

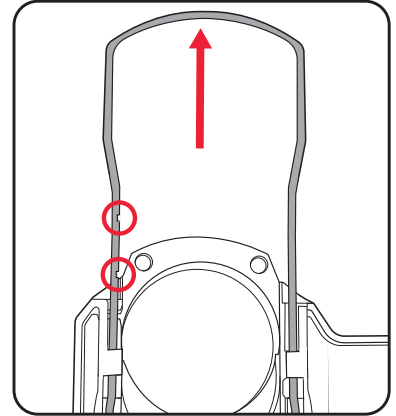
1. ASSEMBLY



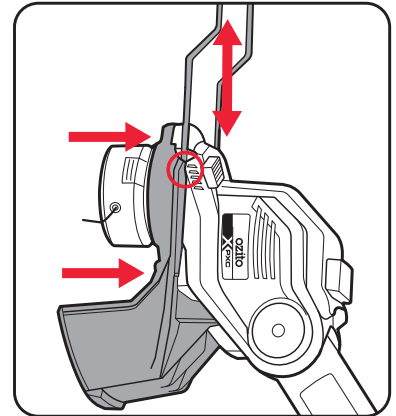
WARNING! ENSURE THE LINE TRIMMER IS SWITCHED OFF AND THE BATTERY IS REMOVED BEFORE PERFORMING ANY OF THE FOLLOWING TASKS.

Fitting the Safety Guard

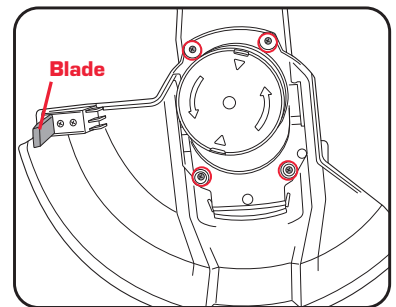
1. First adjust the length of the edging guide to identify the two locating slots.



2. As you place the safety guard onto the motor housing one of the slots MUST align with the metal pin located under the edging guide lock on the motor housing. The safety guard sits flush up against the motor housing only when the metal pin locates within one of the slots.



3. When sitting flush, secure in place with the four screws provided.



4. A blade on the underside of the safety guard automatically cuts the cutting line to length. It is provided with a safety cover. Remove the safety cover before starting work.



WARNING! ALWAYS USE GLOVES WHEN HANDLING THE BLADE. SHARP EDGES COULD CAUSE INJURY.



WARNING! NEVER USE THE LINE TRIMMER UNLESS THE SAFETY GUARD IS PROPERLY FITTED.

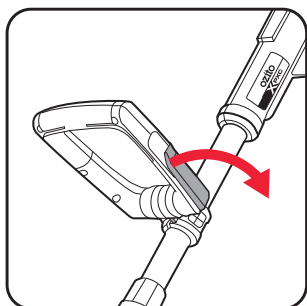
5 YEAR
REPLACEMENT WARRANTY

2. ADJUSTMENTS

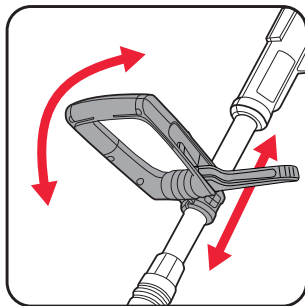
WARNING! ENSURE THE LINE TRIMMER IS SWITCHED OFF AND THE BATTERY IS REMOVED BEFORE PERFORMING ANY OF THE FOLLOWING TASKS.

Adjusting the Additional Handle

1. Release the additional handle lock.



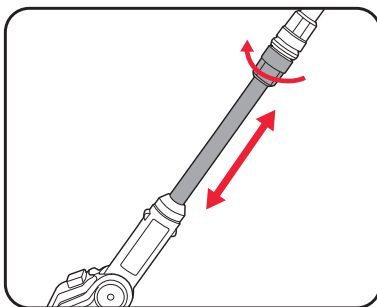
2. Rotate, tilt or slide the handle to the required position.



3. Close the additional handle lock to secure in place.

Adjusting the Working Height

1. Loosen the shaft lock by turning clockwise to the open position.

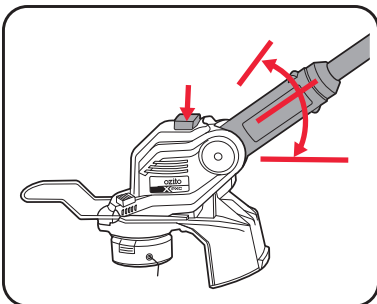


2. Adjust the telescopic shaft up or down to the required working height.

3. Tighten the shaft lock by turning anti-clockwise to the lock position to secure in position.

Adjusting the Tilting Angle

1. Depress the tilting head lock to allow the handle to tilt.



2. Set the handle to the required angle. To fix the angle of tilt, release the button and allow the handle to lock into one of three available positions.

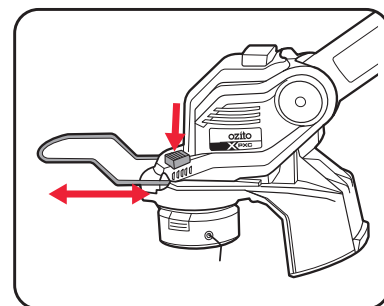
WARNING! TO PREVENT PERSONAL INJURY OR DAMAGE TO THE LINE TRIMMER ENSURE THE TILTING ANGLE IS LOCKED IN ONE OF THE THREE POSITIONS BEFORE OPERATING.

WARNING! DO NOT PUT FULL WEIGHT ON THE TILTING HEAD LOCK.

Adjusting the Edging Guide

Extend the edging guide to prevent the cutting head from getting too close to an object such as a tree trunk or wall. There are two locking points, minimum or maximum guide length.

1. With the edging guide locked in position, depress the edging guide lock and slide the edging guide out of lock, then release the button.



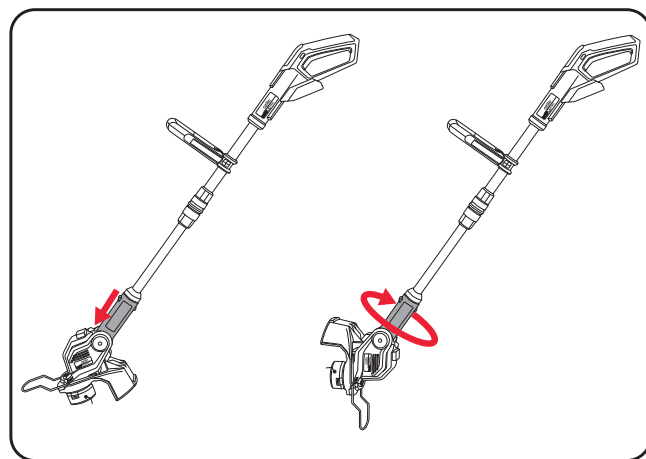
2. Slide the edging guide to the second locking point.

Adjusting the Rotating Head Position

The line trimmer is fitted with a 180° rotating head to allow for edging and trimming. To switch between the two, the head must be rotated following the steps below.

1. Hold the telescopic shaft firmly with one hand and pull the rotating head adjustment away, out of the rotating head lock

2. Turn the rotating head adjustment 180° anti-clockwise until it latches in position.



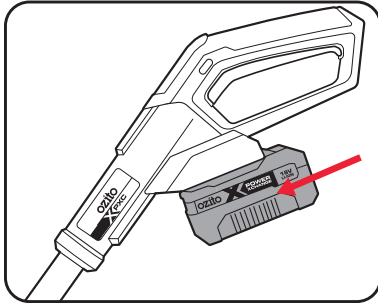
3. To rotate head to original position repeat step 1 and rotate adjustment 180° clockwise until it latches in position.

OPERATION

3. INSERTING & REMOVING THE BATTERY

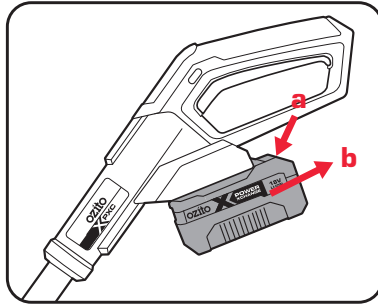
Inserting the Battery

1. Align the ribs of the battery with the recess below the handle and push in until it clicks into place.



Removing the Battery

1. Press and hold the battery release tab (a) and then slide the battery out (b).



Run Time

The operating time of the PXC battery (the area that can be covered with a single battery charge) is largely dependent on the state of the grass (e.g. Density, moisture, height, etc.) and the rate of work (walking speed).

Frequently turning the equipment on and off while trimming will also reduce the runtime and area that you can cover. If the operating time of the PXC battery (area coverage) is still unsatisfactory in spite of the above measures, you can remedy the problem by using PXC batteries with a larger capacity (Ah).

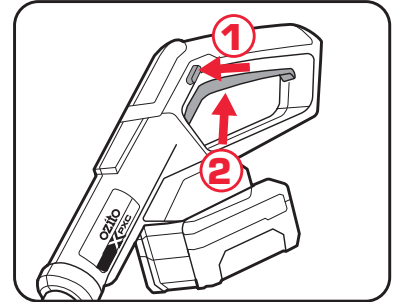
4. CONTROLS



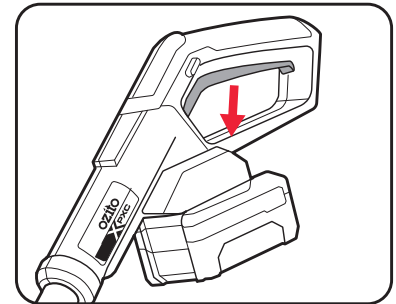
WARNING! BEFORE YOU START THE UNIT, MAKE SURE THAT THE LINE TRIMMER IS NOT MAKING CONTACT WITH ANY OBJECTS.

Switching On & Off

1. Press and hold the safety switch then squeeze the on/off trigger to start the line trimmer.



2. To stop the line trimmer, release the on/off trigger.



WARNING! THE LINE TRIMMER MAY RUN FOR A FEW SECONDS AFTER IT HAS BEEN SWITCHED OFF. LET THE MOTOR COME TO A COMPLETE STANDSTILL BEFORE SITTING THE TOOL DOWN.



WARNING! DO NOT OPERATE THE LINE TRIMMER ON A TREE, ON A LADDER, OR ON SCAFFOLD. THIS IS EXTREMELY DANGEROUS.

Automatic Line Feed

This line trimmer is equipped with Automatic Line Advancement. Each time the line trimmer is switched on, the line automatically feeds the additional line. The blade on the underside of the safety guard automatically cuts the cutting line to the correct length.

- To automatically advance the line, activate the on/off trigger for 2 seconds and allow the line trimmer to come to a complete stop. When the head slows down the line will feed out and a "click" can be heard as it strikes the blade on the safety guard. The line will have automatically advanced approximately 5cm. Repeat above step as required.

If the line does not automatically feed out, check if there is any tangles in the line or if the line needs to be replenished. Refer to "**Replacing the spool/clearing jams and tangled lines**" section and follow the instructions as needed.

Manual Line Feed

- To manually advance the line, ensure the battery is removed and turn the line trimmer upside down. Push the tab on the side of the cutter head and then pull the end of line protruding from the spool.

5. USING THE LINE TRIMMER

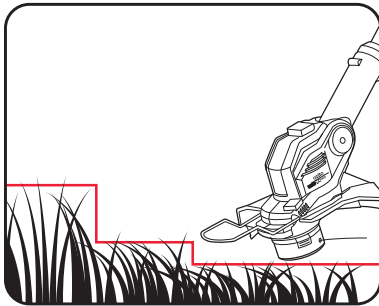
WARNING! ALWAYS WEAR STURDY, NON-SLIP FOOTWEAR, LONG TROUSERS, SAFETY GLASSES AND HEARING PROTECTION WHEN USING THE EQUIPMENT. NEVER USE THE EQUIPMENT BAREFOOT OR IN SANDALS.

The line trimmer is designed for cutting lawns and grassed areas. The equipment is intended for private use i.e. for use in home and gardening environments. Public facilities, parks, sporting grounds, along roadways, or agriculture and forestry are excluded.

WARNING! INSPECT THE AREA TO BE TRIMMED AND REMOVE ANY WIRE, CORD OR STRING-LIKE OBJECTS WHICH COULD BECOME ENTANGLED IN THE ROTATING SPOOL & LINE.

WARNING! STONES, PIECES OF METAL AND OTHER OBJECTS CAN BE THROWN OUT AT HIGH SPEED BY THE CUTTING LINE.

- Hold the trimmer with both handles for best control and balance.
- Do not push the line against hard material (rocks or concrete) during cutting as this may result in damaged line.
- Never use the line trimmer without its safety devices.
- Do not cut grass that is wet (The best results are achieved on dry grass).
- Wait until the line trimmer reaches full speed before cutting the grass.
- Keep the line trimmer away from hard objects in order to avoid unnecessary wear to the line.
- Several passes will be required to cut long grass as shown.
- To prevent the line from breaking ensure you approach the edge/object slowly.
- Watch out for kickbacks in the event of impact with hard objects.
- After finishing the cutting operation, keep the head close to ground level, release the switch and allow the motor to come to a complete standstill. Remove battery and place the line trimmer on the ground.
- Keep ventilation slots of the trimmer clean at all times. Periodically clean out the grass from the cutting head and the rim of the safety guard to ensure efficient operation at all times.

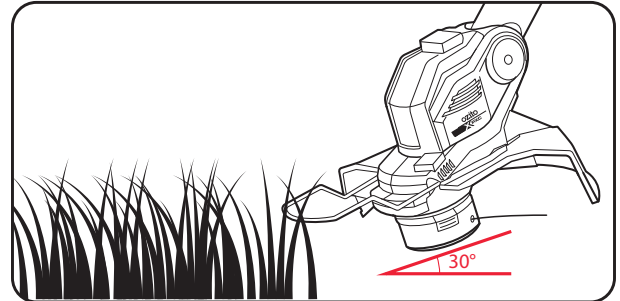
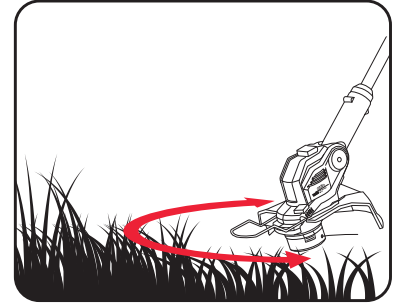


WARNING! DO NOT CONTINUALLY TAP, BUMP OR HOLD THE CUTTER HEAD ON THE GROUND AS THIS MAY RESULT IN DAMAGE TO THE SPOOL HOLDER OR OVERLOAD THE UNIT.

WARNING! BYSTANDERS MUST KEEP A MINIMUM SAFE DISTANCE OF 15M AWAY FROM THE LINE TRIMMER WHILE IT IS OPERATING.

Trimming

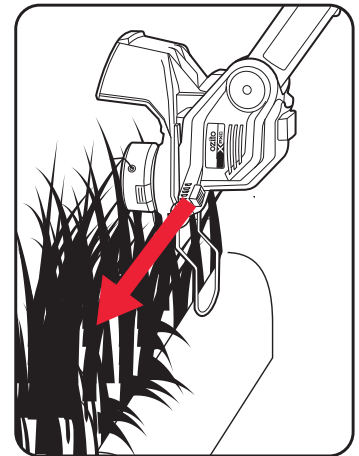
Move the line trimmer from side to side as you walk forward, holding it at an angle of approx. 30° (Light cuts are better than heavy cuts as they allow the cut grass to fall away from the cutting head).



Use only the tip of the cutting line to do the trimming especially near walls and fences. Trimming with the side of the cutting line may overload the motor, wear out the line faster, and break the line more often.

Edging

Place the Edging Guide along the ground and slid the line trimmer along the edge of the footpath, driveway etc.



MAINTENANCE

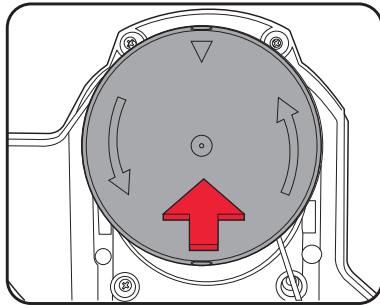
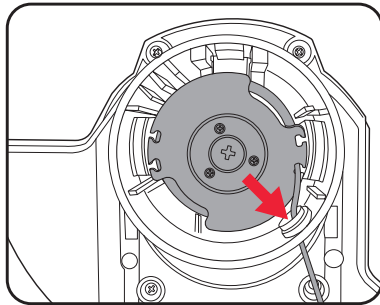
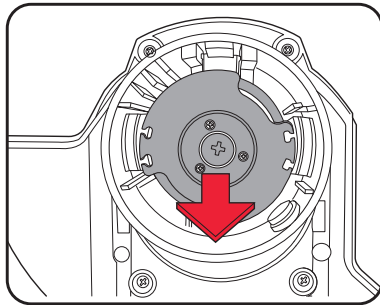
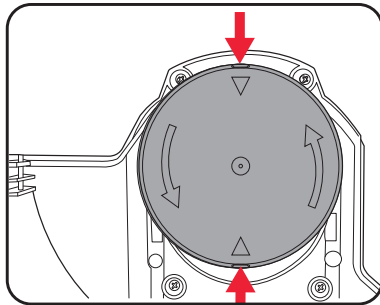


WARNING! ALWAYS ENSURE THE LINE TRIMMER HAS COMPLETELY STOPPED AND THE BATTERY IS REMOVED PRIOR TO ANY MAINTENANCE.

Replacing the Spool/Clearing Jams and Tangled Lines

From time to time, especially when cutting thick or stocky weeds, the line cutter head may become clogged with sap or other material and the line will become jammed as a result. To clear the jam, follow these steps.

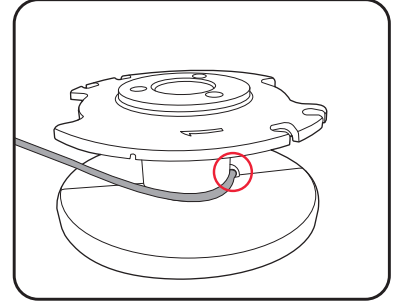
1. Turn off the line trimmer and remove the battery.
2. Press the release tabs on the line spool cover and remove the cover by pulling it straight off.
3. Lift the spool of nylon line out of the hub and clear any broken line or cutting debris from the spool area.
4. In case of jams and tangled line, unwrap about 15cm of line to ensure that it is undamaged.
5. If it is OK, insert the spool into the spool housing and thread the end of the line through the eyelet.
6. Unclip the end of the line if necessary.
7. Snap the spool cover back onto the spool housing.
8. Turn the line trimmer back to its normal orientation, insert the battery and turn the tool on. If the length of the line is excessive, you'll hear it being cut automatically to the proper length.



Winding New Line onto Empty Spool

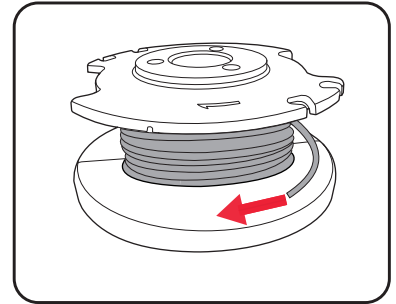
Replacement Ø1.6mm bulk line for your line trimmer is available from your local dealer. To install, follow steps:

1. Remove the spool as described in steps 1 - 3 of the "Replacing the spool/clearing jams and tangled lines" section.
2. Using Ø1.6mm line, cut a length of line approximately 5m long. **Only use Ø1.6mm replacement line, anything larger will cause stress on the motor and will void the warranty.**

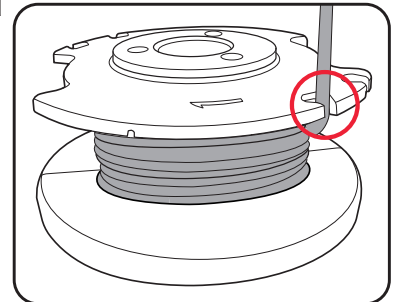


3. Thread the end of the line into the hole in the spool and hold in place

4. Wind the line around the spool in the direction of the arrow on the top of the spool. Make sure to wind the line on neatly and in layers. Do not cross the line as this will stop it from feeding.



5. When the length of line is wound onto the spool place the end of the line into the clips in the outside of the spool. Leaving about 15cm protruding from the spool.



6. Re-set the line & spool as described in steps 5-8 of the "Replacing the spool/clearing jams and tangled lines" section.

Cleaning & Storage










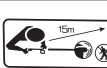
- Keep air vents of the line trimmer clear of debris to prevent overheating. After each use, blow air through the vents to ensure it is free from a build up of grass, dust or dirt particles.
- Periodically clean out the grass from the cutting head and the rim of the safety guard to ensure efficient operation at all times.
- If the housing of the trimmer requires cleaning, do not use solvents but a moist soft cloth or soft brush only.
- Never let any liquid get inside the tool, never immerse any part of the tool into liquid.
- No lubrication is necessary as the tool has sealed bearings.
- When not in use, the line trimmer should be stored in a dry, frost free location not within the reach of children.

Note: Ozito Industries will not be responsible for any damage or injuries caused by repair of the line trimmer by an unauthorised person or by mishandling. This machine is designed for DIY use - use in commercial or industrial environments will void the warranty.

TROUBLESHOOTING

| Problem | Cause | Remedy |
|--|-------------------------------------|-------------------------------------|
| Trimmer is not starting | Possible clogging | Clean the cutter head of any grass. |
| | Battery is low in charge | Charge battery |
| | Battery not inserted properly | Insert battery pack correctly |
| Trimmer is not operating at full capacity | Possible clogging | Clean the cutter head of any grass. |
| | Cutting tall grass at ground level. | Make several passes from top down. |
| Motor stops while operating | Battery has no power | Charge battery |
| Grass wraps around the shaft and trimmer head. | Cutting tall grass at ground level. | Make several passes from top down. |

DESCRIPTION OF SYMBOLS

| | | | |
|---|--|---|--|
| V | Volts | Hz | Hertz |
| ~ | Alternating Current | W | Watts |
| /min | Revolutions or reciprocations per minute | n₀ | No load speed |
| d.c./— | Direct current | ∅ | Diameter |
| mA | Milliamperes |  | Wear eye protection |
|  | Wear hearing protection |  | Warning |
|  | Wear safety footwear |  | Regulatory Compliance Mark (RCM) |
|  | Do not use in the rain or leave the line trimmer outdoors while raining |  | Read Instruction Manual to reduce the risk of injury |
|  | Sound power level 96dB |  | DO NOT use metal blades |
|  | Keep bystanders away. Do not operate whilst people especially children or pets are in the area | | |

CARING FOR THE ENVIRONMENT



Power tools that are no longer usable should not be disposed of with household waste but in an environmentally friendly way. Please recycle where facilities exist. Check with your local council authority for recycling advice.



Recycling packaging reduces the need for landfill and raw materials. Reuse of recycled material decreases pollution in the environment. Please recycle packaging where facilities exist. Check with your local council authority for recycling advice.

SPARE PARTS

Spare parts can be ordered from the Special Orders Desk at your local Bunnings Warehouse.


For further information, or any parts not listed here, visit www.ozito.com.au or contact Ozito Customer Service:

Australia 1800 069 486

New Zealand 0508 069 486

E-mail: enquiries@ozito.com.au

ELECTRICAL SAFETY

 **WARNING!** When using mains-powered tool & machines, basic safety precautions, including the following, should always be followed to reduce risk of fire, electric shock, personal injury and material damage.

Read the whole manual carefully and make sure you know how to switch the tool or machine off in an emergency, before operating the tool or machine.

Save these instructions and other documents supplied with this tool or machine for future reference.

-Use, store and charge the tool or machine and battery pack in dry conditions, ideally at 15°C. Avoid exposing battery pack and charger to direct sunlight.

-Do not keep battery pack in places where temperatures are liable to reach over 50°C, such as in a car, metal shed or similar that is in direct sunlight.


-This equipment is battery-operated and the battery must be charged outside the equipment.

Before you connect the charger to the mains supply make sure that the data on the rating plate are identical to the mains data.

If the supply cord is damaged, it must be replaced by an electrician or a machine repairer in order to avoid a hazard.

The power supply for this products charger should be protected by a residual current device (rated at 30mA or less). A residual current device reduces the risk of electric shock.

GENERAL MACHINE SAFETY WARNINGS

 **WARNING!** Read all safety warnings, instructions, illustrations and specifications provided with this machine. Failure to follow all instructions listed below may result in electric shock, fire and/or serious injury.

Save all warnings and instructions for future reference.

The term "machine" in the warnings refers to your mains-operated (corded) machine or battery-operated (cordless) machine.

1) Work area safety

- Keep work area clean and well lit. Cluttered or dark areas invite accidents.
- Do not operate machines in explosive atmospheres, such as in the presence of flammable liquids, gases or dust. Machines create sparks which may ignite the dust or fumes.
- Keep children and bystanders away while operating a machine. Distractions can cause you to lose control.

2) Electrical safety

- Machine plugs must match the outlet. Never modify the plug in any way. Do not use any adapter plugs with earthed (grounded) machines. Unmodified plugs and matching outlets will reduce risk of electric shock.
- Avoid body contact with earthed or grounded surfaces, such as pipes, radiators, ranges and refrigerators. There is an increased risk of electric shock if your body is earthed or grounded.
- Do not expose machines to rain or wet conditions. Water entering a machine will increase the risk of electric shock.
- Do not abuse the cord. Never use the cord for carrying, pulling or unplugging the machine. Keep cord away from heat, oil, sharp edges or moving parts. Damaged or entangled cords increase the risk of electric shock.
- When operating a machine outdoors, use an extension cord suitable for outdoor use. Use of a cord suitable for outdoor use reduces the risk of electric shock.
- If operating a power tool in a damp location is unavoidable, use a residual current device (RCD) protected supply. Use of an RCD reduces the risk of electric shock.

3) Personal safety

- Stay alert, watch what you are doing and use common sense when operating a machine. Do not use a machine while you are tired or under the influence of drugs, alcohol or medication. A moment of inattention while operating machines may result in serious personal injury.
- Use personal protective equipment. Always wear eye protection. Protective equipment such as a dust mask, non-skid safety shoes, hard hat or hearing protection used for appropriate conditions will reduce personal injuries.
- Prevent unintentional starting. Ensure the switch is in the off-position before connecting to power source and/or battery pack, picking up or carrying the machine. Carrying machines with your finger on the switch or energising machines that have the switch on invites accidents.
- Remove any adjusting key or wrench before turning the machine on. A wrench or a key left attached to a rotating part of the machine may result in personal injury.
- Do not overreach. Keep proper footing and balance at all times. This enables better control of the machine in unexpected situations.
- Dress properly. Do not wear loose clothing or jewellery. Keep your hair and clothing away from moving parts. Loose clothes, jewellery or long hair can be caught in moving parts.
- If devices are provided for the connection of dust extraction and collection facilities, ensure these are connected and properly used. Use of dust collection can reduce dust-related hazards.
- Do not let familiarity gained from frequent use of machines allow you to become complacent and ignore machine safety principles. A careless action can cause severe injury within a fraction of a second.

4) Machine use and care

- Do not force the machine. Use the correct machine for your application. The correct machine will do the job better and safer at the rate for which it was designed.
- Do not use the machine if the switch does not turn it on and off. Any machine that cannot be controlled with the switch is dangerous and must be repaired.
- Disconnect the plug from the power source and/or remove the battery pack, if detachable, from the machine before making any adjustments, changing accessories, or storing machines. Such preventive safety measures reduce the risk of starting the machine accidentally.
- Store idle machines out of the reach of children and do not allow persons unfamiliar with the machine or these instructions to operate the machine. Machines are dangerous in the hands of untrained users.
- Maintain machines and accessories. Check for misalignment or binding of moving parts, breakage of parts and any other condition that may affect the machine's operation. If damaged, have the machine repaired before use. Many accidents are caused by poorly maintained machines.
- Keep cutting machines sharp and clean. Properly maintained cutting machines with sharp cutting edges are less likely to bind and are easier to control.
- Use the machine, accessories and machine bits etc. in accordance with these instructions, taking into account the working conditions and the work to be performed. Use of the machine for operations different from those intended could result in a hazardous situation.
- Keep handles and grasping surfaces dry, clean and free from oil and grease. Slippery handles and grasping surfaces do not allow for safe handling and control of the machine in unexpected situations.


5) Battery machine use and care

- Recharge only with the charger specified by the manufacturer. A charger that is suitable for one type of battery pack may create a risk of fire when used with another battery pack.
- Use machines only with specifically designated battery packs. Use of any other battery packs may create a risk of injury and fire.
- When battery pack is not in use, keep it away from other metal objects, like paper clips, coins, keys, nails, screws or other small metal objects, that can make a connection from one terminal to another. Shorting the battery terminals together may cause burns or a fire.
- Under abusive conditions, liquid may be ejected from the battery; avoid contact. If contact accidentally occurs, flush with water. If liquid contacts eyes, additionally seek medical help. Liquid ejected from the battery may cause irritation or burns.
- Do not use a battery pack or machine that is damaged or modified. Damaged or modified batteries may exhibit unpredictable behaviour resulting in fire, explosion or risk of injury.
- Do not expose a battery pack or machine to fire or excessive temperature. Exposure to fire or temperature above 130 °C may cause explosion.
- Follow all charging instructions and do not charge the battery pack or machine outside the temperature range specified in the instructions. Charging improperly or at temperatures outside the specified range may damage the battery and increase the risk of fire.

6) Service


- Have your machine serviced by a qualified repair person using only identical replacement parts. This will ensure that the safety of the machine is maintained.
- Never service damaged battery packs. Service of battery packs should only be performed by the manufacturer or authorized service providers.


LINE TRIMMER SAFETY WARNINGS


 **WARNING!** This appliance is not intended for use by persons (including children) with reduced physical, sensory or mental capabilities, or lack of experience and knowledge, unless they have been given supervision or instruction concerning use of the appliance by a person responsible for their safety.

- Hold power tool by insulated gripping surfaces, when performing an operation where the cutting accessory may contact hidden wiring. Cutting accessory contacting a "live" wire may make exposed metal parts of the power tool "live" and could give the operator an electric shock.
- Never allow children or people unfamiliar with these instructions to use the line trimmer.
- Avoid using the line trimmer, while people, especially children or pets, are nearby.
- Use the line trimmer only in daylight or good artificial light.
- Never operate the line trimmer with damaged guards or without guards in place.
- Switch on the line trimmer only when the hands and feet are away from the cutting head.
- Never fit metal cutting line.
- Use only the manufacturer's recommended replacement parts and accessories.
- Always remove the battery from the line trimmer when leaving the line trimmer unattended.
- Always remove the battery from the line trimmer before carrying out maintenance or cleaning work.
- Inspect and maintain the line trimmer regularly. Have the line trimmer repaired only by an authorized repairer.
- When not in use, store the line trimmer out of the reach of children.
- Face the cutting head away from yourself, other people and animals while the battery is connected to the line trimmer (especially during operation).
- Remove the battery when changing spools or clearing grass from under the guard.
- Remove the battery from the line trimmer before making any adjustments.
- Use both handles at all times

- Keep ventilation openings clear of debris. Keep handles dry, clean and free of oil and grease.
- Never reach underneath the line trimmer (the cutting line area) until it has completely stopped and the battery has been removed.
- Maintain a safe distance of at least 15m from other people when using the tool.
- Always wear adequate protective clothing when operating the blower to avoid injuries to face, eyes, hands, feet, head or hearing. Use safety glasses or a face shield, high boots or sturdy shoes, long trousers, work gloves, a hard hat and ear defenders.
- Do not get distracted and always concentrate on what you are doing. Use common sense. Never operate the tool when you are tired, sick or under the influence of alcohol or other drugs.
- Do not operate this appliance with long loose hair or loose fitting jewellery. Tie long loose hair back and remove loose fitting jewellery.

 **WARNING!** When servicing, use only identical replacement parts. Use of any other parts may create a hazard or cause product damage. To ensure safety and reliability, all repairs should be performed by a qualified service technician.

 **WARNING!** This appliance is not intended for use by young or infirm persons unless supervised by a responsible person to ensure that they can use the appliance safely. Children should be supervised to ensure that they do not play with the appliance.

 **DANGER!** Always remove the battery from the line trimmer:

- when the equipment is left unattended,
- when the equipment is being checked, cleaned, or having maintenance work done,
- or if the equipment vibrates abnormally.



18V LITHIUM ION

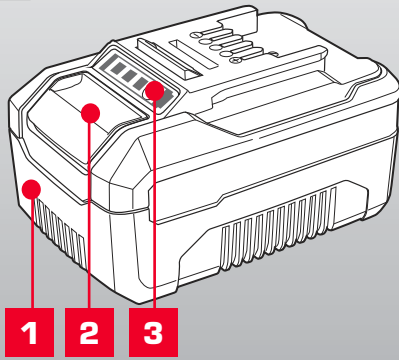
4.0Ah BATTERY

INSTRUCTION MANUAL

SPECIFICATIONS

| | |
|--------------------|--------------|
| Input: | 18V |
| Battery Capacity: | 4.0Ah Li-ion |
| Power Consumption: | 72Wh |
| Weight: | 0.65kg |

ozito.com.au



1. Battery
2. Battery Release Button
3. Charge Indicator Button

3 YEAR
REPLACEMENT WARRANTY

PXBP-400

DESCRIPTION OF SYMBOLS

| | | | |
|------------|----------------------------------|-----------|--|
| V | Volts | Hz | Hertz |
| ac~ | Alternating Current | W | Watts |
| dc | Direct Current | Ah | Amp Hour |
| mA | Milliamperes | | Warning |
| | Lithium Ion Battery | | Do not store or use battery in temperatures exceeding 50°C |
| | Recycle Battery | | Do not put in the rubbish |
| | Do not incinerate | | Do not get battery wet |
| | Regulatory Compliance Mark (RCM) | | Do not store battery when the charge is low; store between 40-60%. |

CARING FOR THE ENVIRONMENT



Power tools that are no longer usable should not be disposed of with household waste but in an environmentally friendly way. Please recycle where facilities exist. Check with your local council authority for recycling advice.



Recycling packaging reduces the need for landfill and raw materials. Reuse of recycled material decreases pollution in the environment. Please recycle packaging where facilities exist. Check with your local council authority for recycling advice.

BATTERY & CHARGER SAFETY WARNINGS

Before using the charger or battery read all instructions and cautionary markings on the charger, battery pack and the product using the battery pack. Do not lose these safety instructions.

Battery Warnings

1. The battery pack is not fully charged out of the carton. First read the safety instructions and then follow the charging notes and procedures.
2. For optimum battery performance avoid low discharge cycles. Charge the battery pack frequently.
3. Use and store the battery pack in dry conditions with low humidity between 0-50°C, ideally at 15°C. Avoid exposing battery pack and charger to direct sunlight.
4. Do not keep battery pack in places where temperatures are liable to reach over 50°C, such as in a car, metal shed or similar that is in direct sunlight.
5. Do not ignite the battery pack or expose it to fire. There is a risk of explosion!
6. Do not exhaustively discharge batteries. Exhaustive discharge will damage the battery cells. The most common cause of exhaustive discharge is long-term storage and continued use of low-charge batteries. Always store the battery with some charge. Charge the batteries every 2-3 months to restore charge. Stop working as soon as the performance of the battery falls noticeably or the electronic protection system triggers.
7. Protect batteries and the tool from overloads. Overloads will quickly result in overheating and cell damage inside the battery housing without this overheating being apparent externally.
8. Avoid damage and shocks. Do not use batteries which have been dropped from a height of more than one meter or strong external impact, even if the housing of the battery pack appears to be undamaged. The battery cells inside the battery may have suffered serious damage.
9. If the battery pack suffers overloading and overheating, the integrated protective cut-off will switch off the equipment. Do not press the ON/OFF switch on the tool if the protective cut-off has actuated. This may damage the battery pack. Allow the battery to cool to room temperature before use.
10. Use only original battery packs. The use of other batteries may result in injuries, explosion and a fire risk.
11. Protect your rechargeable battery against moisture, rain and high humidity. Moisture, rain and high humidity can cause dangerous cell damage. Never charge or use batteries which have been exposed to moisture, rain or high humidity.
12. Never attempt to open the battery pack for any reason. If the plastic housing of the battery pack is damaged, do not use the battery.
13. When battery pack is not in use, keep it away from other metal objects, like paper clips, coins, keys, nails, screws or other small metal objects, that can make a connection from one terminal to another. Shorting the battery terminals together may cause burns or a fire.
14. Under abusive conditions, liquid may be ejected from the battery; avoid contact. If accidental contact occurs, flush with water and seek medical help immediately. Liquid ejected from the battery may cause irritation or burns.
15. Do not use a battery pack or tool that is damaged or modified. Damaged or modified batteries may exhibit unpredictable behaviour resulting in fire, explosion or risk of injury.
16. Do not expose a battery pack or tool to fire or excessive temperature. Exposure to fire or temperature above 130°C may cause explosion.
17. Never service damaged battery packs. Service of battery packs should only be performed by the manufacturer.
18. Do not disassemble Battery. This may result in a risk of electric shock, electrocution or fire.

Charger Warnings

19. Please check the data marked on the rating plate of the battery charger. Ensure to only connect the battery charger to a power supply with the voltage marked on the rating plate.
20. Protect the battery charger and its cable from damage and sharp edges. Have damaged cables repaired by an authorised service agent before use.
21. Keep the battery charger, batteries and the cordless tool out of children's reach.
22. Do not use damaged battery chargers.
23. Do not use the supplied battery charger to charge other cordless tools. Only charge Ozito Power X Change rechargeable batteries with an Ozito Power X Change Charger.
24. The battery pack may become warm during use. Allow the battery pack to cool to room temperature before commencing with the charging.
25. Do not over-charge batteries. Do not exceed the maximum charging times. These charging times only apply to discharged batteries. Frequent insertion of a charged or partly charged battery pack will result in over-charging and cell damage. Do not leave fully charged batteries in the charger.
26. Charge the battery pack in dry conditions with low humidity between 10-40°C. Avoid exposing battery pack and charger to direct sunlight.
27. Do not use batteries which have suffered deformation during the charging process or shows any other signs of abnormalities including, excessive curvature of the housing, gassing, hissing or cracking.
28. Never fully discharge the battery pack. A complete discharge of the battery pack will lead to premature ageing of the battery cells.
29. Never charge the batteries unsupervised.
30. Do not cover or place any object on top of the charger, place the charger away from heat sources.
31. To reduce risk of damage to the electric plug and cord, pull by the plug rather than the cord when disconnecting the charger.
32. Make sure the cord is located so that it will not be stepped on, tripped over, or otherwise subjected to damage or stress.
33. An extension cord should not be used unless necessary. Use of an improper extension cord could result in the risk of fire, electric shock or electrocution.
34. Do not disassemble charger. This may result in a risk of electric shock, electrocution or fire.
35. To reduce risk of electric shock, unplug the charger from the outlet before attempting any cleaning. Removing the battery pack will not reduce this risk.
36. Do not use the cordless tool or the battery charger near vapours and inflammable liquids.

ELECTRICAL SAFETY



WARNING! When using mains-powered tools, basic safety precautions, including the following, should always be followed to reduce risk of fire, electric shock, personal injury and material damage.

Read the whole manual carefully and make sure you know how to switch the tool off in an emergency, before operating the tool. Save these instructions and other documents supplied with this tool for future reference.

Note: The supply of 230V and 240V on Ozito tools are interchangeable for Australia and New Zealand. If the supply cord is damaged, it must be replaced by the manufacturer, its service agent or similarly qualified persons in order to avoid hazard.

Note: Double insulation does not take the place of normal safety precautions when operating this tool. The insulation system is for added protection against injury resulting from a possible electrical insulation failure within the tool.

Using an Extension Lead

Always use an approved extension lead suitable for the power input of this tool. Before use, inspect the extension lead for signs of damage, wear and ageing. Replace the extension lead if damaged or defective.

When using an extension lead on a reel, always unwind the lead completely. Use of an extension lead not suitable for the power input of the tool or which is damaged or defective may result in a risk of fire and electric shock.

To reduce the risk of electric shock, we recommend the use of a residual current device (rated 30mA or less).

This appliance is not intended for use by persons (including children) with reduced physical, sensory or mental capabilities, or lack of experience and knowledge, unless they have been given supervision or instruction concerning use of the appliance by a person responsible for their safety.

Children should be supervised to ensure that they do not play with the appliance.

1. OPERATION

Only use the battery pack with Ozito Power X Change 18V cordless products.

CHARGING YOUR LITHIUM ION BATTERY

This battery has been shipped in a low charge condition, and requires charging prior to use. Allow several cycles of charging and discharging (through use with a compatible tool) for the battery to reach its optimum performance / runtime.

This battery is compatible with chargers from the 18V Ozito Power X Change range available through your local Bunnings Warehouse. Product availability may differ.

1. Insert the power plug of the charger into the mains socket outlet. The green LED will begin to flash when properly connected to power supply.
2. Insert the battery pack into the battery charger.
3. Remove battery from the charger once fully charged. Disconnect the charger from the power supply.

Note: The battery pack can become a little warm during the charging. This is normal.

If the battery pack fails to charge, check:

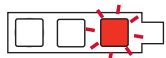
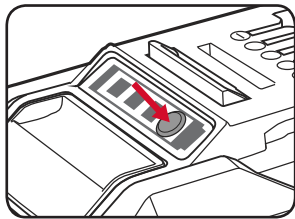
- if there is voltage at the socket outlet
- that the battery and charger are properly connected.

If the battery pack still fails to charge, please contact our customer service center.

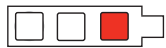
BATTERY CHARGE INDICATOR

The purchased battery is equipped with a battery charge indicator to show the state of the battery charge.

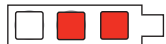
Press the charge indicator button and look to see which LED lights.



Battery requires immediate charging



Low state of charge, requires charging soon.



Mid state of charge



Full state of charge.

Note: The battery needs to be removed from the tool to check the state of charge.

BATTERY PROTECTION SYSTEM

The tool is equipped with a battery protection system, which helps to ensure longevity of the battery.

The output power automatically cuts off during operation when the tool and/or battery are placed under the following situations:

- When the tool is overloaded:
If this occurs, release the trigger switch and remove causes of overload, then pull the switch trigger again to restart.
- When the remaining battery capacity becomes low:
Recharge the battery pack.

Note: The battery protection system does not in any way damage the tool.

Note: The indicated capacity may be lower than the actual level during use or immediately after using the tool.

WARRANTY

IN ORDER TO MAKE A CLAIM UNDER THIS WARRANTY YOU MUST RETURN THE PRODUCT TO YOUR NEAREST BUNNINGS WAREHOUSE WITH YOUR BUNNINGS REGISTER RECEIPT. PRIOR TO RETURNING YOUR PRODUCT FOR WARRANTY PLEASE TELEPHONE OUR CUSTOMER SERVICE HELPLINE:

Australia 1800 069 486

New Zealand 0508 069 486

TO ENSURE A SPEEDY RESPONSE PLEASE HAVE THE MODEL NUMBER AND DATE OF PURCHASE AVAILABLE. A CUSTOMER SERVICE REPRESENTATIVE WILL TAKE YOUR CALL AND ANSWER ANY QUESTIONS YOU MAY HAVE RELATING TO THE WARRANTY POLICY OR PROCEDURE.

The benefits provided under this warranty are in addition to other rights and remedies which are available to you at law.

Our goods come with guarantees that cannot be excluded at law. You are entitled to a replacement or refund for a major failure and for compensation for any other reasonably foreseeable loss or damage. You are also entitled to have the goods repaired or replaced if the goods fail to be of acceptable quality and the failure does not amount to a major failure.

Generally you will be responsible for all costs associated with a claim under this warranty, however, where you have suffered any additional direct loss as a result of a defective product you may be able to claim such expenses by contacting our customer service helpline above.

36 MONTH REPLACEMENT WARRANTY

Your product is guaranteed for a period of **36 months from the original date of purchase** and is intended for DIY (Do It Yourself) use only. If a product is defective it will be replaced in accordance with the terms of this warranty. Warranty excludes consumable parts.

WARNING

The following actions will result in the warranty being void.

- If the tool has been operated on a supply voltage other than that specified on the tool.
- If the tool shows signs of damage or defects caused by or resulting from abuse, accidents or alterations.
- Failure to perform maintenance as set out within the instruction manual.
- If the tool is disassembled or tampered with in any way.

0121

ONLINE MANUAL

Scan this QR Code with your mobile device to take you to the online manual.



OZITO Australia/New Zealand (Head Office)
25 Fox Drive, Dandenong South, Victoria, Australia 3175.

PXBP-400



18V LITHIUM ION

COMPACT FAST CHARGER

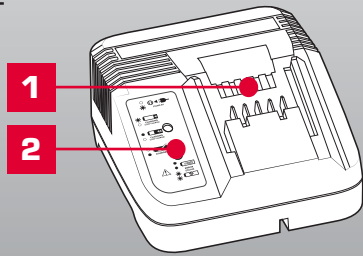
INSTRUCTION MANUAL

SPECIFICATIONS

| | |
|----------------------|--------------------------------------|
| Input: | 200-250V ~AC 50-60Hz, 72W |
| Output: | 20V DC, 3A |
| Battery Charge Time: | 30Min - PXBP-150 (18V 1.5Ah) |
| | 40Min - PXBP-200 (18V 2.0Ah) |
| | 50Min - PXBP-250 (18V 2.5Ah) |
| | 60Min - PXBP-300 (18V 3.0Ah) |
| | 75Min - PXBP-400 (18V 4.0Ah) |
| | 120Min - PXBP-520 (18V 5.2Ah) |
| | 100Min - PXUBP-520 (18V 5.2Ah Ultra) |

ozito.com.au

1. Charging Unit
2. Charging Unit LED



PXCG-030C

3 YEAR
REPLACEMENT WARRANTY

DESCRIPTION OF SYMBOLS

| | | | |
|----------|--|-----------|----------------------------------|
| V | Volts | Hz | Hertz |
| A | Amperes | Ah | Amp Hour |
| | Read Instruction Manual | | Double Insulated |
| | Indoor Use Only | | Do not dispose of in rubbish |
| | Do not charge battery in temperatures exceeding 40°C | | Regulatory Compliance Mark (RCM) |
| | 3.15A Slow Blow Fuse | | Warning |

CARING FOR THE ENVIRONMENT



Power tools that are no longer usable should not be disposed of with household waste but in an environmentally friendly way. Please recycle where facilities exist. Check with your local council authority for recycling advice.



Recycling packaging reduces the need for landfill and raw materials. Reuse of recycled material decreases pollution in the environment. Please recycle packaging where facilities exist. Check with your local council authority for recycling advice.

BATTERY & CHARGER SAFETY WARNINGS

Before using the charger or battery read all instructions and cautionary markings on the charger, battery pack and the product using the battery pack. Do not lose these safety instructions.

Battery Warnings

1. The battery pack is not fully charged out of the carton. First read the safety instructions and then follow the charging notes and procedures.
2. For optimum battery performance avoid low discharge cycles. Charge the battery pack frequently.
3. Use and store the battery pack in dry conditions with low humidity between 0-50°C, ideally at 15°C. Avoid exposing battery pack and charger to direct sunlight.
4. Do not keep battery pack in places where temperatures are liable to reach over 50°C, such as in a car, metal shed or similar that is in direct sunlight.
5. Do not ignite the battery pack or expose it to fire. There is a risk of explosion!
6. Do not exhaustively discharge batteries. Exhaustive discharge will damage the battery cells. The most common cause of exhaustive discharge is long-term storage and continued use of low-charge batteries. Always store the battery with some charge. Charge the batteries every 2-3 months to restore charge. Stop working as soon as the performance of the battery falls noticeably or the electronic protection system triggers.
7. Protect batteries and the tool from overloads. Overloads will quickly result in overheating and cell damage inside the battery housing without this overheating being apparent externally.
8. Avoid damage and shocks. Do not use batteries which have been dropped from a height of more than one meter or strong external impact, even if the housing of the battery pack appears to be undamaged. The battery cells inside the battery may have suffered serious damage.
9. If the battery pack suffers overloading and overheating, the integrated protective cut-off will switch off the equipment. Do not press the ON/OFF switch on the tool if the protective cut-off has actuated. This may damage the battery pack. Allow the battery to cool to room temperature before use.
10. Use only original battery packs. The use of other batteries may result in injuries, explosion and a fire risk.
11. Protect your rechargeable battery against moisture, rain and high humidity. Moisture, rain and high humidity can cause dangerous cell damage. Never charge or use batteries which have been exposed to moisture, rain or high humidity.
12. Never attempt to open the battery pack for any reason. If the plastic housing of the battery pack is damaged, do not use the battery.
13. When battery pack is not in use, keep it away from other metal objects, like paper clips, coins, keys, nails, screws or other small metal objects, that can make a connection from one terminal to another. Shorting the battery terminals together may cause burns or a fire.
14. Under abusive conditions, liquid may be ejected from the battery; avoid contact. If accidental contact occurs, flush with water and seek medical help immediately. Liquid ejected from the battery may cause irritation or burns.
15. Do not use a battery pack or tool that is damaged or modified. Damaged or modified batteries may exhibit unpredictable behaviour resulting in fire, explosion or risk of injury.
16. Do not expose a battery pack or tool to fire or excessive temperature. Exposure to fire or temperature above 130°C may cause explosion.
17. Never service damaged battery packs. Service of battery packs should only be performed by the manufacturer.
18. Do not disassemble Battery. This may result in a risk of electric shock, electrocution or fire.

Charger Warnings

19. Please check the data marked on the rating plate of the battery charger. Ensure to only connect the battery charger to a power supply with the voltage marked on the rating plate.
20. Protect the battery charger and its cable from damage and sharp edges. Have damaged cables repaired by an authorised service agent before use.
21. Keep the battery charger, batteries and the cordless tool out of children's reach.
22. Do not use damaged battery chargers.
23. Do not use the supplied battery charger to charge other cordless tools. Only charge Ozito Power X Change rechargeable batteries with an Ozito Power X Change Charger.
24. The battery pack may become warm during use. Allow the battery pack to cool to room temperature before commencing with the charging.
25. Do not over-charge batteries. Do not exceed the maximum charging times. These charging times only apply to discharged batteries. Frequent insertion of a charged or partly charged battery pack will result in over-charging and cell damage. Do not leave fully charged batteries in the charger.
26. Charge the battery pack in dry conditions with low humidity between 10-40°C. Avoid exposing battery pack and charger to direct sunlight.
27. Do not use batteries which have suffered deformation during the charging process or shows any other signs of abnormalities including, excessive curvature of the housing, gassing, hissing or cracking.
28. Never fully discharge the battery pack. A complete discharge of the battery pack will lead to premature ageing of the battery cells.
29. Never charge the batteries unsupervised.
30. Do not cover or place any object on top of the charger, place the charger away from heat sources.
31. To reduce risk of damage to the electric plug and cord, pull by the plug rather than the cord when disconnecting the charger.
32. Make sure the cord is located so that it will not be stepped on, tripped over, or otherwise subjected to damage or stress.
33. An extension cord should not be used unless necessary. Use of an improper extension cord could result in the risk of fire, electric shock or electrocution.
34. Do not disassemble charger. This may result in a risk of electric shock, electrocution or fire.
35. To reduce risk of electric shock, unplug the charger from the outlet before attempting any cleaning. Removing the battery pack will not reduce this risk.
36. Do not use the cordless tool or the battery charger near vapours and inflammable liquids.

ELECTRICAL SAFETY



WARNING! When using mains-powered tools, basic safety precautions, including the following, should always be followed to reduce risk of fire, electric shock, personal injury and material damage. Read the whole manual carefully and make sure you know how to switch the tool off in an emergency, before operating the tool. Save these instructions and other documents supplied with this tool for future reference.



Note: The supply of 230V and 240V on Ozito tools are interchangeable for Australia and New Zealand. This tools charger is double insulated therefore no earth wire is required.

If the supply cord is damaged, it must be replaced by the manufacturer, its service agent or similarly qualified persons in order to avoid hazard.

Note: Double insulation does not take the place of normal safety precautions when operating this tool. The insulation system is for added protection against injury resulting from a possible electrical insulation failure within the tool.

Using an extension lead

Always use an approved extension lead suitable for the power input of this tool. Before use, inspect the extension lead for signs of damage, wear and ageing. Replace the extension lead if damaged or defective.

When using an extension lead on a reel, always unwind the lead completely. Use of an extension lead not suitable for the power input of the tool or which is damaged or defective may result in a risk of fire and electric shock.

To reduce the risk of electric shock, we recommend the use of a residual current device (rated 30mA or less).

This appliance is not intended for use by persons (including children) with reduced physical, sensory or mental capabilities, or lack of experience and knowledge, unless they have been given supervision or instruction concerning use of the appliance by a person responsible for their safety.

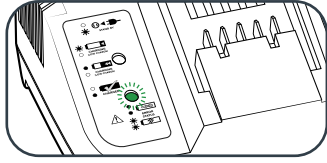
Children should be supervised to ensure that they do not play with the appliance.

1. CHARGING A BATTERY

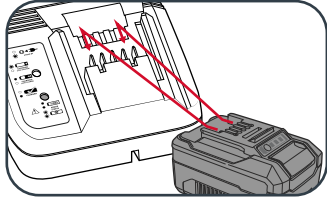
WARNING! THE CHARGER SHOULD BE PROTECTED BY A RESIDUAL CURRENT DEVICE (RATED AT 30MA OR LESS).

WARNING! DO NOT COVER OR PLACE ANY OBJECT ON TOP OF THE CHARGER; PLACE THE CHARGER AWAY FROM HEAT SOURCES.

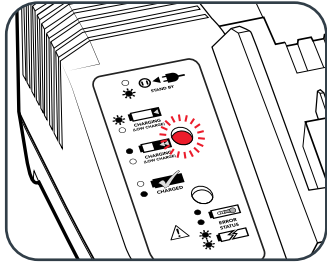
1. Connect the charger to the power supply and the LED will flash green showing power is being supplied to the charger.



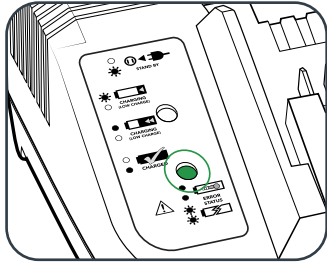
2. Align and then slide the ribs on the battery into the recess in the charger.



3. The red LED will illuminate while the battery charges.



4. The green LED will illuminate once the battery is charged.



| Charger LED Indicator Lights | |
|------------------------------|--|
| LED Indicator | Situation |
| GREEN (Flashing) | Stand By (no battery pack is inserted) |
| RED (Flashing) | Battery is charging (low charge) |
| RED (Illuminated) | Battery is fast charging (mid charge) |
| GREEN (Illuminated) | Battery is 85% - 100% charged and is ready for use. |
| BOTH (Illuminated) | Battery pack is too hot or too cold (charging will begin automatically when battery reaches correct charging temperature). |
| BOTH (Flashing) | The battery is defective, charging is no longer possible. Do not charge. Contact Ozito Customer Service. |

Mounting The Charging Unit On A Wall

The charging unit can be mounted to a wall or workbench. The correct dimensions for drill holes can be found on the back of the charging unit; a template for the mounting hole locations can also be found on the Ozito website.

Note: When mounting on a wall you must use suitable screws, e.g.M3 pan-head screws, in order to prevent damage to the housing and risk of falling.

ONLINE MANUAL

Scan this QR Code with your mobile device to take you to the online manual.



2. MAINTENANCE

- Disconnect the charger from power source before cleaning.
- Keep the charger in a dry place out of reach of children.
- If the enclosure of the charger requires cleaning, do not use solvents. Use a dry, soft cloth only to wipe down the surface. Never let any liquid get inside the charger; never immerse any part of the charger.
- There are no other parts inside the charger which require maintenance. Do not take the charger apart. If the charger is damaged, contact your supplier or the manufacturer.

WARRANTY

IN ORDER TO MAKE A CLAIM UNDER THIS WARRANTY YOU MUST RETURN THE PRODUCT TO YOUR NEAREST BUNNINGS WAREHOUSE WITH YOUR BUNNINGS REGISTER RECEIPT. PRIOR TO RETURNING YOUR PRODUCT FOR WARRANTY PLEASE TELEPHONE OUR CUSTOMER SERVICE HELPLINE:

Australia 1800 069 486

New Zealand 0508 069 486

TO ENSURE A SPEEDY RESPONSE PLEASE HAVE THE MODEL NUMBER AND DATE OF PURCHASE AVAILABLE. A CUSTOMER SERVICE REPRESENTATIVE WILL TAKE YOUR CALL AND ANSWER ANY QUESTIONS YOU MAY HAVE RELATING TO THE WARRANTY POLICY OR PROCEDURE.

The benefits provided under this warranty are in addition to other rights and remedies which are available to you at law.

Our goods come with guarantees that cannot be excluded at law. You are entitled to a replacement or refund for a major failure and for compensation for any other reasonably foreseeable loss or damage. You are also entitled to have the goods repaired or replaced if the goods fail to be of acceptable quality and the failure does not amount to a major failure.

Generally you will be responsible for all costs associated with a claim under this warranty, however, where you have suffered any additional direct loss as a result of a defective product you may be able to claim such expenses by contacting our customer service helpline above.

36 MONTH REPLACEMENT WARRANTY

Your product is guaranteed for a period of **36 months from the original date of purchase** and is intended for DIY (Do It Yourself) use only. If a product is defective it will be replaced in accordance with the terms of this warranty. Warranty excludes consumable parts.

WARNING

The following actions will result in the warranty being void.

- If the tool has been operated on a supply voltage other than that specified on the tool.
- If the tool shows signs of damage or defects caused by or resulting from abuse, accidents or alterations.
- Failure to perform maintenance as set out within the instruction manual.
- If the tool is disassembled or tampered with in any way.