



100L FOLDING GARDEN CART

Max. loading capacity - 80kg



- Powder coated steel frame & PVC wheels
- Features two front storage pockets
- Removable Polyester Liner
- 80kg maximum loading capacity

To promote safe use and extend the life of your cart, follow these maintenance guidelines:

- Clean the frame regularly with a soft, damp cloth. Allow it to air dry completely.
- Do not use abrasive cleaners, as they may damage or scratch the painted surface.
- Do not expose the cart to harsh weather conditions for extended periods.
- During long periods of non-use, store the cart indoors in a dry location to help preserve its condition.



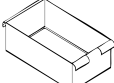



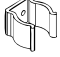
WARNING

1. DO NOT exceed the 80kg loading capacity.
2. Please do not immerse in water for a long time. In special circumstances, please dry the product as soon as possible after wading to avoid reducing its usage cycle!
3. Not Suitable for transporting people or animals.
4. Not recommended for use on steep inclines.
5. When loaded, the cart should be PULLED by the handle, NOT PUSHED. Pushing under load may cause damage to the handle or frame.



Tools required (not included) phillips head screwdriver.



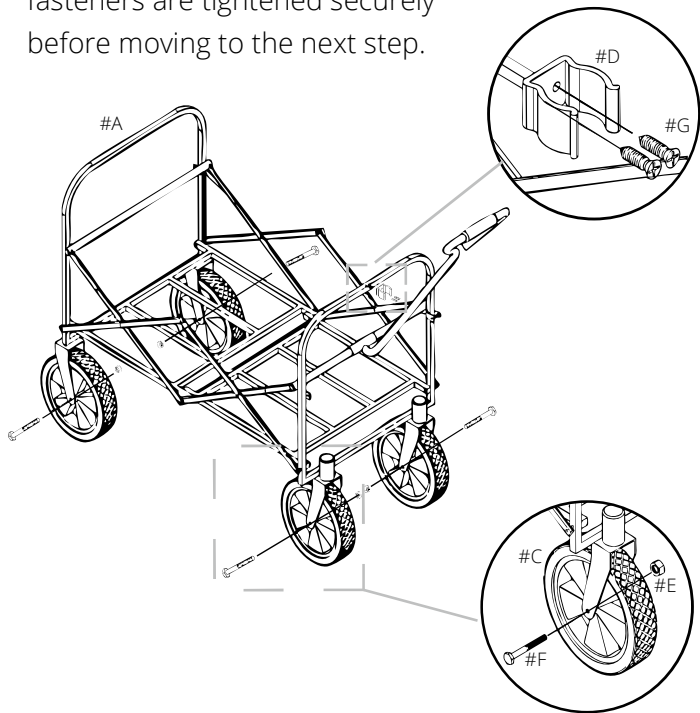
| Part No. | Description | Pictures | Quantity | Part No. | Description | Pictures | Quantity |
|----------|-------------|---|----------|----------|-------------|---|----------|
| A | Frame |  | 1 | E | Nuts |  | 4 |
| B | Cart liner |  | 1 | F | Bolts |  | 4 |
| C | Wheels |  | 4 | G | Screws |  | 2 |
| D | Clip |  | 1 | | | | |

Unfolding Instructions:

STEP 1:

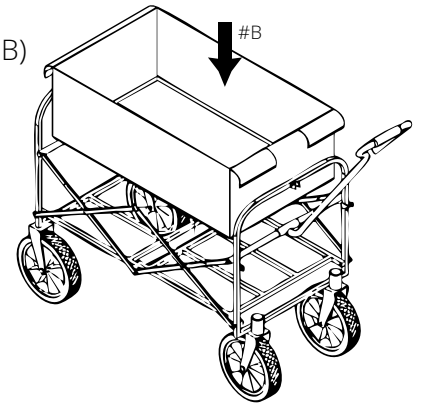
Unfold the frame (Part A) by pulling it outward until fully extended. Attach the wheels (Part C) using 4 × Bolts (F) and securing with 4 × Nuts (E).

Secure the handle clip (Part D) in the designated position using 2 × Screws (G). The clip is used to hold the handle in an upright position when the trolley is not in use. Ensure all fasteners are tightened securely before moving to the next step.



STEP 2:

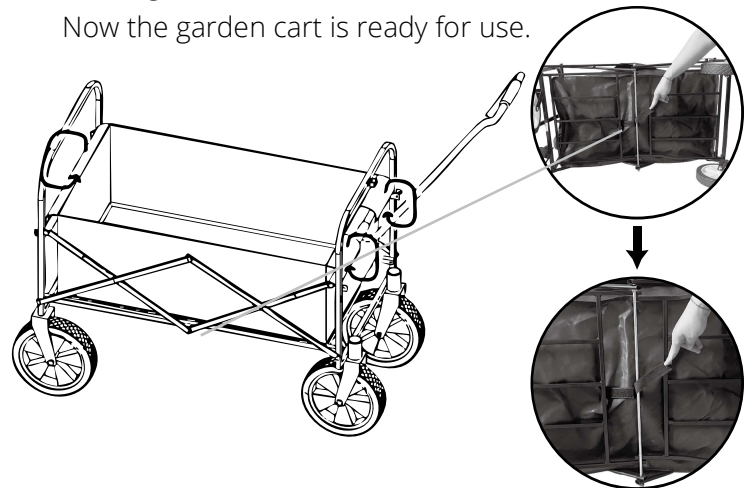
Insert the liner (Part B) into the interior of the frame.



STEP 3:

Secure the liner by fastening all the hook and loop straps to the frame, ensuring it is evenly positioned and tightly attached. Turning the wagon on its side, secure the hook and loop strap on the bottom of the wagon frame.

Now the garden cart is ready for use.



Storing Instructions:

STEP 1:

Lower the handle down, pull up the tab located in the middle of the wagon bed.

While holding the tab, press the wagon frame together until it is fully folded.

