

MIMOSA®



Instruction Manual for Assembly and Usage Outdoor Gas Area Heater -Matte Black

Important: Please retain these instructions for future reference

Item No. 0676522

Gas Leak Test

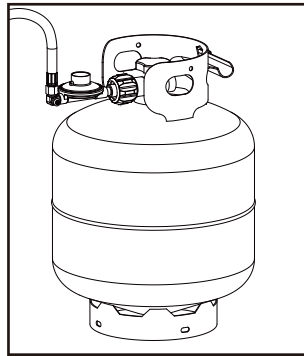
Gas connections on the heater are leak tested at the factory prior to shipment. A complete gas tightness check must be performed due to possible mishandling in shipment or excessive pressure being applied to the heater gas connections.

1. Make a soap solution of one part liquid detergent and one part water.

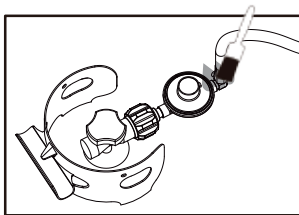


Make sure the control knob on the heater is off and the gas valve on the cylinder is off before mixing the soapy solution.

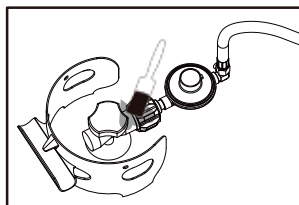
2. Turn on the gas bottle.



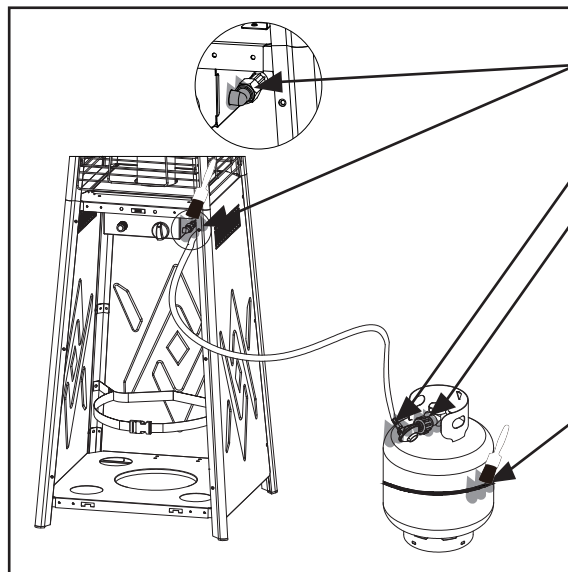
3. Apply the soap solution to the gas connections using a soft bristle brush.



Hose / Regulator connection



Regulator / Cylinder connection



Soap bubbles will appear if there is a gas leak. In case of a leak, turn off the gas supply. Tighten any leaking fittings, then turn the gas supply on and re-check.

If there is a leak anywhere on the gas cylinder, do not use the cylinder. Locate the leaking cylinder outdoors away from sources of ignition, then contact your local gas authority or cylinder exchange provider to arrange disposal.

Warning:

Do not operate the appliance until all gas leaks have been rectified. Never leak test while smoking.



WARNING



- This appliance must be installed in accordance with the manufacturer's installation instructions, local gas fitting regulations, municipal building codes, AS 5601 - Gas Installations and any other statutory regulations.
- Read the instructions before installation and use.
- This appliance must be installed and the gas cylinder stored in accordance with the regulations in force.
- This appliance requires installation by a competent person.
- For use only in well-ventilated areas. A ventilated area must have a minimum of 25% of the surface area open. The surface area is the sum of the walls surface.
- The use of this appliance in enclosed areas can be dangerous and is prohibited.
- This appliance must not be used indoors.
- This appliance must be used for space heating only.
- This appliance must not be used in basements or below ground level.
- This appliance is for outdoor use only.
- Use only the type of gas and the type of cylinder specified by the manufacturer.
- Do not place items on or against this appliance.
- Do not store chemicals or flammable materials or spray aerosols near this appliance.
- Do not operate this appliance in an explosive atmosphere like in areas where gasoline or other flammable liquids or vapors are stored.
- Protect the hot glass tube from rain, water splash or anything that will cause a sudden change in temperature which may lead to cracking or shattering.



WARNING



This product contains a small battery. Swallowing the small battery can cause CHOKING HAZARD. Seek immediate medical attention if the battery is swallowed or inhaled. Keep children away from the small battery.



WARNING



THE APPLIANCE MUST NOT BE USED IF THE GLASS TUBE IS DAMAGED OR NOT LOCATED IN ITS CORRECT POSITION.



DANGER



IF THE APPLIANCE IS TIPPED OVER, THE GLASS TUBE CAN SHATTER IN SHARP EDGED FRAGMENTS.



WARNING



- Turn off the gas valve immediately if the smell of gas is detected.
- Extinguish any open flame.
- If odour continues, contact your gas supplier immediately.



WARNING



The user assumes all risk in the assembly and operation of the gas heater. Failure to follow the warnings and instructions in this manual can result in severe personal injury, death or property damage. If user cannot read or fully understand the instruction manual, please contact your dealer. Manufacturer or supplier will not be responsible for user's negligence.



WARNING



Certain materials or items, when stored under or near the appliance, will be subjected to radiant heat and could be seriously damaged.

Table Of Contents

Caution.....	Page1
How to connect and use the new LCC27 LPG Connection	Page2
Heater Location.....	Page3
Gas Requirements.....	Page5
Leakage Test.....	Page5
Operation and Storage.....	Page6
Cleaning and Care	Page7
Parts and Specifications	Page7
Assembly Parts and Procedures	Page9
Pilot Service	Page18
Trouble Shooting	Page19
Product Warranty	Page20

Caution

PLEASE READ CAREFULLY THE FOLLOWING SAFETY GUIDELINES BEFORE OPERATION.

- This patio heater is not for commercial use.
- This flame heater is for outdoor use only (see attached diagrammatical representations of outdoor areas).
- This outdoor heater is not intended to be installed on recreational vehicles and/or boats.
- Do not use the heater for the heating of domestic premises.
- Do not use the heater in the basements or below ground level.
- This appliance must be installed and the gas cylinder stored in accordance with the regulations in force.
- Repair should be done by a qualified service person.
- Improper installation, adjustment, alteration can cause personal injury or property damage.
- Do not attempt to alter the unit in any manner.
- Never replace or substitute the regulator with any regulator other than the factory-suggested replacement.
- Remove transit protection before use.
- Do not store or use petrol or other flammable vapors or liquids in the heater unit.
- The whole gas system, hose, regulator, pilot or burner should be inspected for leaks or damage before use, and at least annually by a qualified service person.
- The recommended frequency of checking the tubing or the flexible hose is at least once per month and each time the cylinder is changed. If it shows signs of cracking, splitting or other deterioration it shall be exchanged for new hose of the same length and of the equivalent quality.
- The tubing or the flexible hose must be changed within the prescribed intervals.
- All leak tests should be done with a soapy water solution. Never use an open flame to check for leaks.
- Do not use the heater until all connections have been leak tested.
- Turn off the gas valve immediately if smell of gas is detected.
- Do not transport the heater while it's operating.
- Do not move the heater after it has been turned off until the temperature has cooled down.
- Shut off the valve at the gas cylinder or the regulator before moving the appliance.
- Use only the type of gas and the type of cylinder specified by the manufacturer.
- In case of violent wind particular attention must be taken against tilting of the appliance.
- Keep the ventilation opening of the cylinder enclosure free and clear of debris.
- Do not paint the flue screen, windshield or reflector.
- Control compartment, burner and circulation air passageways of the heater must be kept clean.
- Frequent cleaning may be required as necessary.
- Protect the heater from bumps to avoid delicate parts like the glass tube from getting damage.
- Protect the hot glass tube from rain, water splash, or anything that will cause a sudden change in temperature which may lead to cracking or shattering.
- The gas cylinder should be turned off when the heater is not in use.
- Avoid twisting the flexible tubes and hoses.
- Any guard or other protective device removed for servicing the heater must be replaced before operating the heater.
- Adults and children should stay away from high temperature surfaces to avoid burns.
- CHILDREN SHOULD BE CAREFULLY SUPERVISED WHEN THEY ARE IN THE AREA OF THE HEATER.
- CLOTHING OR OTHER FLAMMABLE MATERIALS SHOULD NOT BE HUNG ON THE HEATER OR PLACED ON OR NEAR THE HEATER.
- Items stored under or near the heater, will be subject to radiant heat and could be seriously damaged.
- CHILDREN AND ADULTS SHOULD BE ALERTED TO THE HAZARDS OF HIGH SURFACE TEMPERATURES, BURNS AND CLOTHING IGNITION.
- DO NOT PLACE ARTICLES ON OR AGAINST THIS APPLIANCE.
- DO NOT USE OR STORE FLAMMABLE MATERIALS NEAR THIS APPLIANCE.
- DO NOT SPRAY AEROSOLS IN THE VICINITY OF THIS APPLIANCE WHILE IT IS IN OPERATION.
- THE GUARDS ARE FITTED TO THIS APPLIANCE TO REDUCE THE RISK OF FIRE OR INJURY FROM BURNS AND THEY SHOULD NOT BE REMOVED.

How to connect and use the new LCC27 LPG Connection

Introduction

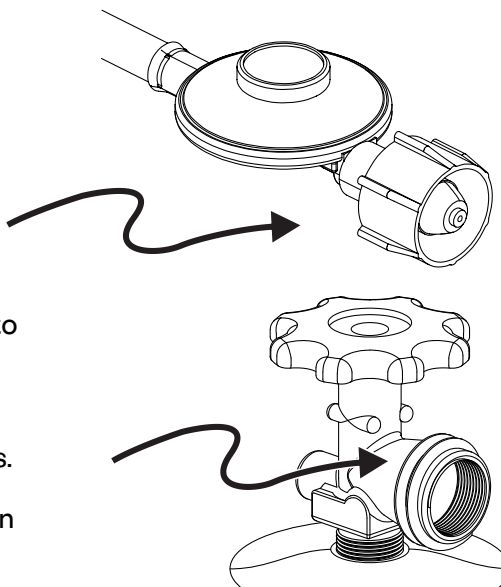
This product is fitted with the new LCC27 regulator connection, recently introduced by the Australian Government.

Its easily identified by the large plastic hand wheel.

This new LCC27 regulator can only be fitted to an LPG cylinder with the new LCC27 valve or a QCC valve, as shown right.

Its easily identified by the tall external threads.

If your LPG cylinder is not compatible, you can either exchange it or buy a new cylinder.



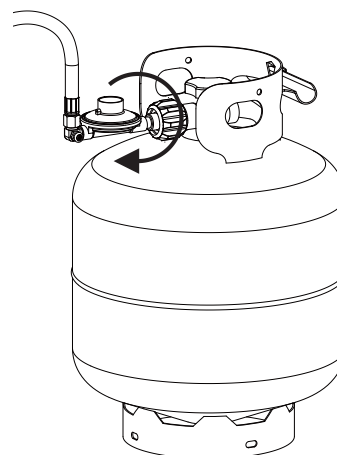
Benefits of the new LCC27 cylinder connection

- Gas will NOT flow out of the cylinder until you connect the LCC27 regulator, so it's a much safer connection.
- A built in excess flow device will limit the gas flow if the hose splits open.

How to connect the LCC27 regulator to an LPG Cylinder

Turn the hand wheel clockwise until the handwheel stops turning.

Open the cylinder valve and conduct the gas leak check using soapy water (as explained in this manual).



Troubleshooting the LCC27 Connection

Fault	Possible cause	Solution
No gas flow	Hand wheel is not fully tightened	Tighten the hand wheel
No gas flow	Excess flow device has activated accidentally. This can occur if a burner valve is open before connecting the regulator to the cylinder.	Ensure that none of the burner valves are open. Turn off the gas at the cylinder valve, unscrew the regulator, then reconnect.

Heater Location

The heater is primarily for outdoor use only (see diagrammatical representations of outdoor areas). Do not use it for indoors or in an enclosed area. Always ensure that adequate fresh air ventilation is provided.

Do not use the heater for heating inside domestic premises.

Do not use the heater in the basements or below ground level.

This appliance shall only be used in an above ground open-air situation with natural ventilation, without stagnant areas, where gas leakage and products of combustion are rapidly dispersed by wind and natural convection.

Any enclosure in which the appliance is used shall comply with one of the following:

An enclosure with walls on all sides, but at least one permanent opening at ground level and no overhead cover.

Within a partial enclosure that includes an over head cover and no more than two walls.

Within a partial enclosure that includes an overhead cover and more than two walls, the following shall apply:

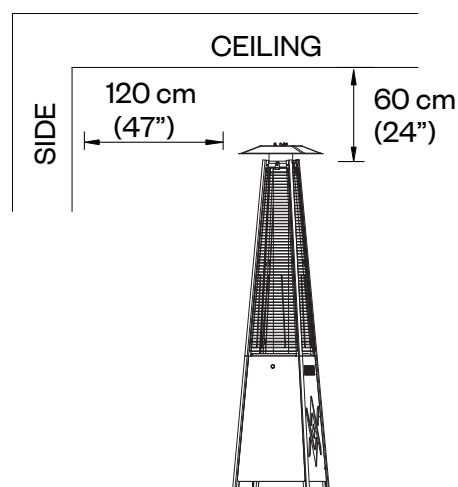
- At least 25% of the total wall area is completely open, and
- At least 30% of the remaining wall area is open and unrestricted.
- In the case of balconies, at least 20% of the total wall area shall be and remain open and unrestricted.

This appliance shall be used only in an outdoor area and shall not be used in a building, garage or any other enclosed area.

Always maintain clearance from combustible materials; from the top 60 cm, and sides 120cm

Heater must be placed on level firm ground.

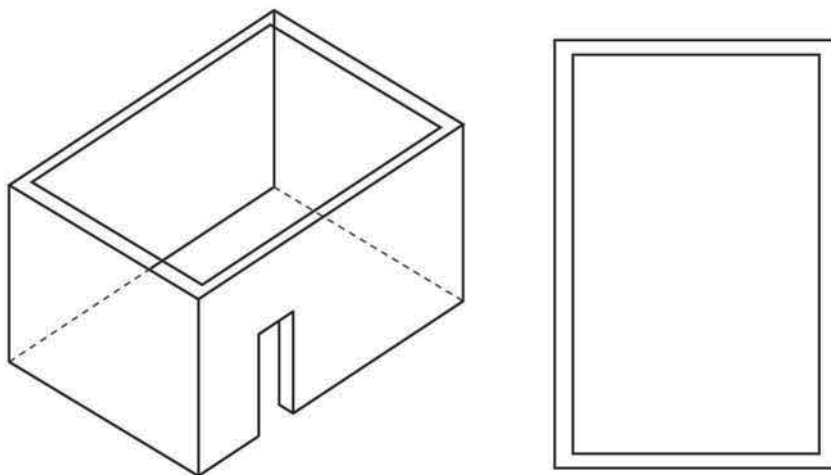
Never operate heater in an explosive atmosphere like in areas where petrol or other flammable liquids or vapors are stored.

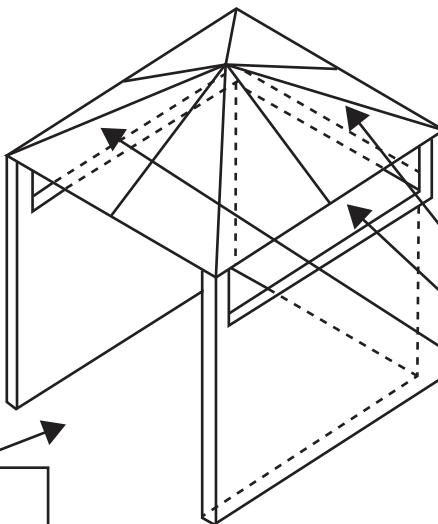
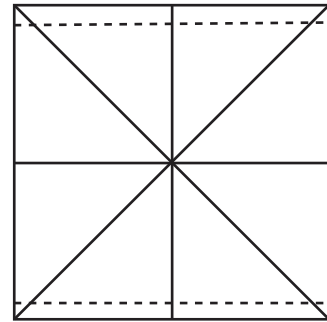
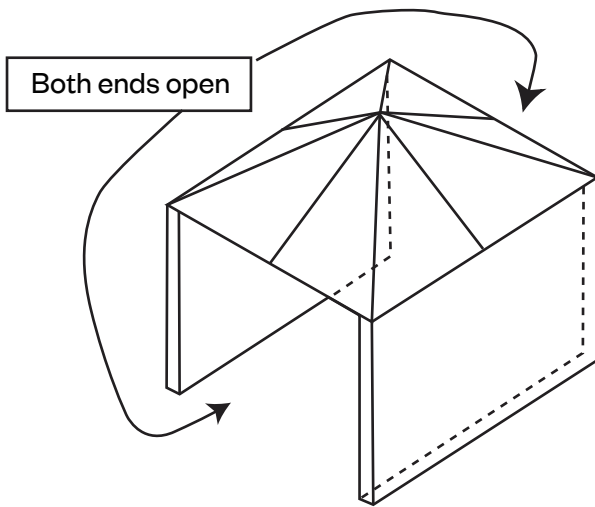
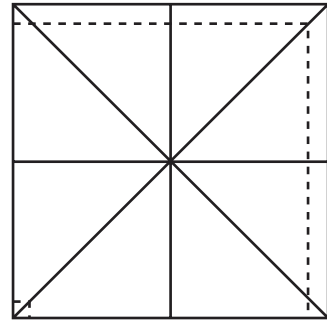
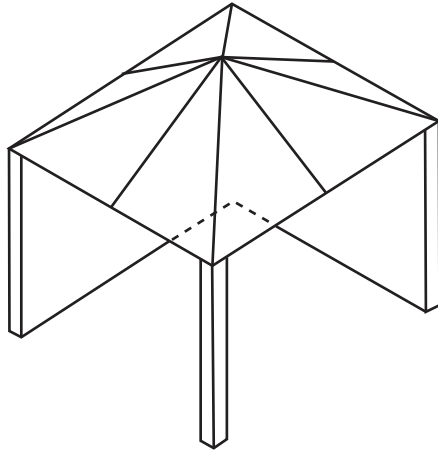


DIAGRAMMATICAL REPRESENTATIONS OF OUTDOOR AREAS

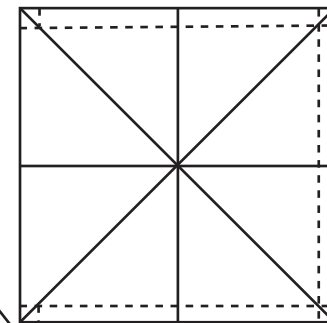
(Informative)

The following figures are diagrammatical representations of outdoor areas as described above. Rectangular areas have been used in these figures - the same principles apply to any other shaped area.

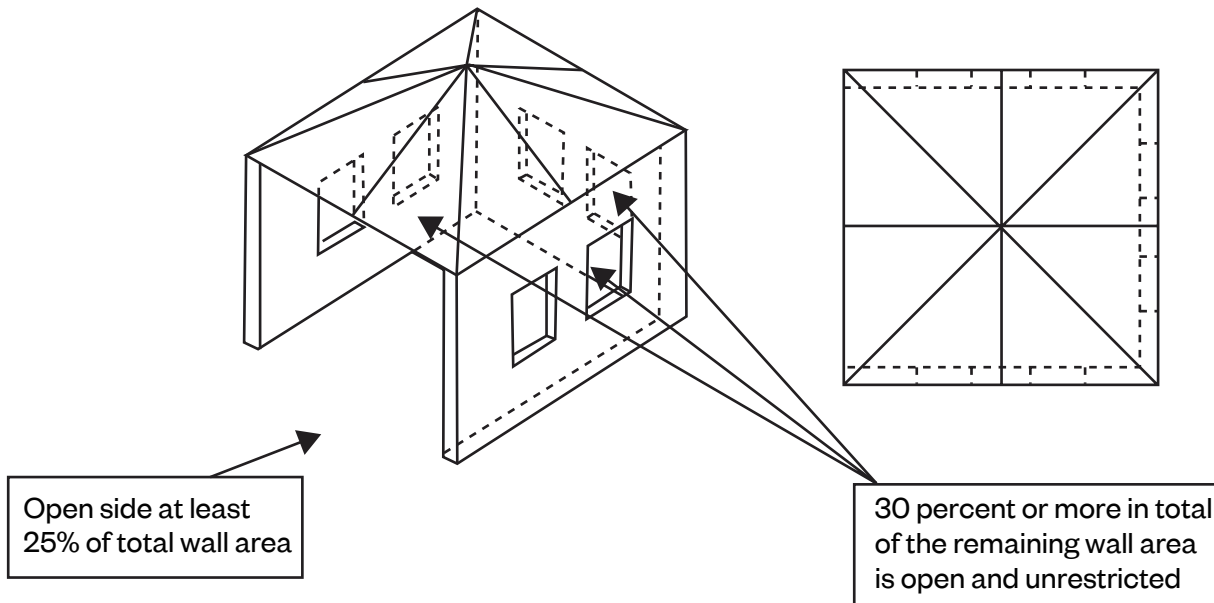




Open side at least 25% of total wall area



30 percent or more in total of the remaining wall area is open and unrestricted



Gas Requirements

- Refer to the gas type label for confirmation of the gas type to be used with your appliance.
- Use only the pressure regulator and hose assembly supplied with this appliance.
- A dented, rusted or damaged gas cylinder may be hazardous and should be checked by your cylinder supplier. Never use a gas cylinder with a damaged valve connection.
- Never connect an unregulated gas cylinder to the heater.
- This appliance is NOT suitable for use with a fixed gas supply system. Use ONLY a 9kg gas cylinder.

Leakage Test

- Gas connections on the heater are leak tested at the factory prior to shipment. A complete gas tightness check must be performed at the installation site due to possible mishandling in shipment or excessive pressure being applied to the heater.
- Make a soap solution of one part liquid detergent and one part water.
- The soap solution can be applied with a spray bottle, brush or rag. Soap bubbles will appear in case of a leak.
- The heater must be checked with a full cylinder.
- Make sure the safety control valve is in the OFF position.
- Apply the soap solution to the gas connections.
- Turn the gas supply ON.
- In case of a leak, turn off the gas supply. Tighten any leaking fittings, then turn the gas supply on and recheck.
- Do not operate the appliance until all gas leaks have been rectified.
- Never leak test while smoking.

Operation and Storage

TO TURN ON THE HEATER

1. Turn on the valve on the gas supply cylinder completely.
2. Press and turn the variable control knob to PILOT position (counter-clockwise 90°).
3. Press in the variable control knob and hold for 30 seconds. While holding down the variable control knob, press the igniter button several times until the pilot flame lights. After approximately 10 seconds, release the control knob.

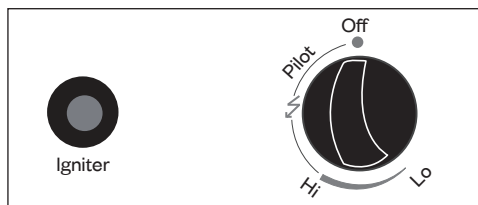
Note:

- If a new tank has just been connected, please allow at least one minute for the air in the gas pipeline to purge out through the pilot hole.
 - When lighting the pilot flame make sure that the variable control knob is continuously pressed down while pressing the igniter button. Variable control knob can be released after the pilot flame lights.
 - If the pilot flame does not light or it goes out, repeat step 3.
4. After the pilot flame lights, turn the variable control knob to maximum position and leave it there for 5 minutes or more before turning the knob to desired temperature position.

Warning: check that the glass is not broken before operation.

TO TURN OFF THE HEATER

1. Turn the variable control knob to PILOT position.
2. Press and turn the variable control knob to OFF position.



Igniter

Variable control knob

Off: the heater stop work
Hi: maximum temperature position
Lo: minimum temperature position

3. Turn off the valve on the gas supply cylinder completely.

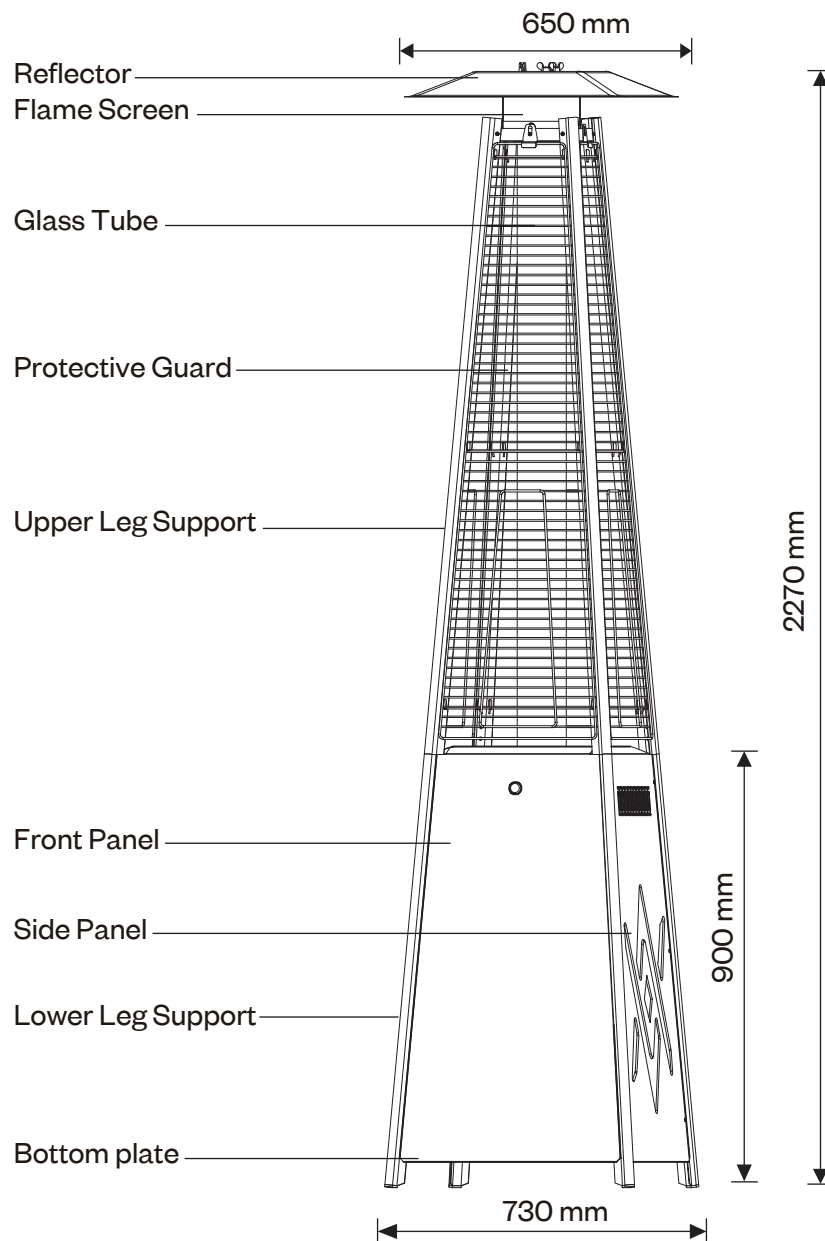
Storage

1. Always close the gas valve of the gas cylinder after use or in case of a disturbance.
2. Disconnect the regulator from the gas cylinder valve.
3. Check the tightness of the gas valve for damage. If you suspect damage, have it changed by your gas dealer.
4. Never store gas cylinders underground or in places without adequate air ventilation.
5. There is no limitation on the storage of appliances indoors provided that the cylinder is removed from the appliance; and
6. Storage of an appliance indoors with the cylinder attached is only permitted if the size of the cylinder complies with AS/NZS 1596; otherwise cylinders must be stored outdoors in a well-ventilated area and out of reach of children.

Cleaning and Care

- Wipe off powder coated surfaces with soft, moist rag. Do not clean heater with cleaners that are combustible or corrosive.
- Remove debris from the burner to keep it clean and safe for use.
- If carbon deposits and glass tube goes black, remove the safety guard and clean it with soapy water. Instructions for cleaning the glass, should it require cleaning on the inside. It is strongly recommended that you contact the Plumber/gas fitter when the inside of the glass tube requires cleaning. The cleaning instructions below are for handy persons only. This is a two person job and should take about 10 minutes.
 - Loose and remove one side two pieces safety guards.
 - Carefully uninstall the glass tube by lifting up and sliding it out from the middle plate cover.
 - Dismantle and save the silicone ring which hold the glass in place, spray or pour a little dishwasher and a spray of window cleaner into glass, wrap a tea towel or soft cloth around the handle end of a broomstick or pole.
 - Move through glass carefully, spray or pour cold/warm water through the glass tube.
 - Dry outside of tube with cloth or roll towel and allow 2 min for inside to dry.
 - Attach the silicone ring to the bottom end of glass completely, install the glass and safety guards as per assembly step 5 & 8.

Parts and Specifications



A . Construction and characteristics

- Heater with dancing flame enclosed in transparent glass tube
- Heat emission from the reflector
- Heat diffuser provides more warmth.
- Tilt switch shuts off heater automatically when appliance is accidentally knocked down

B . Specifications

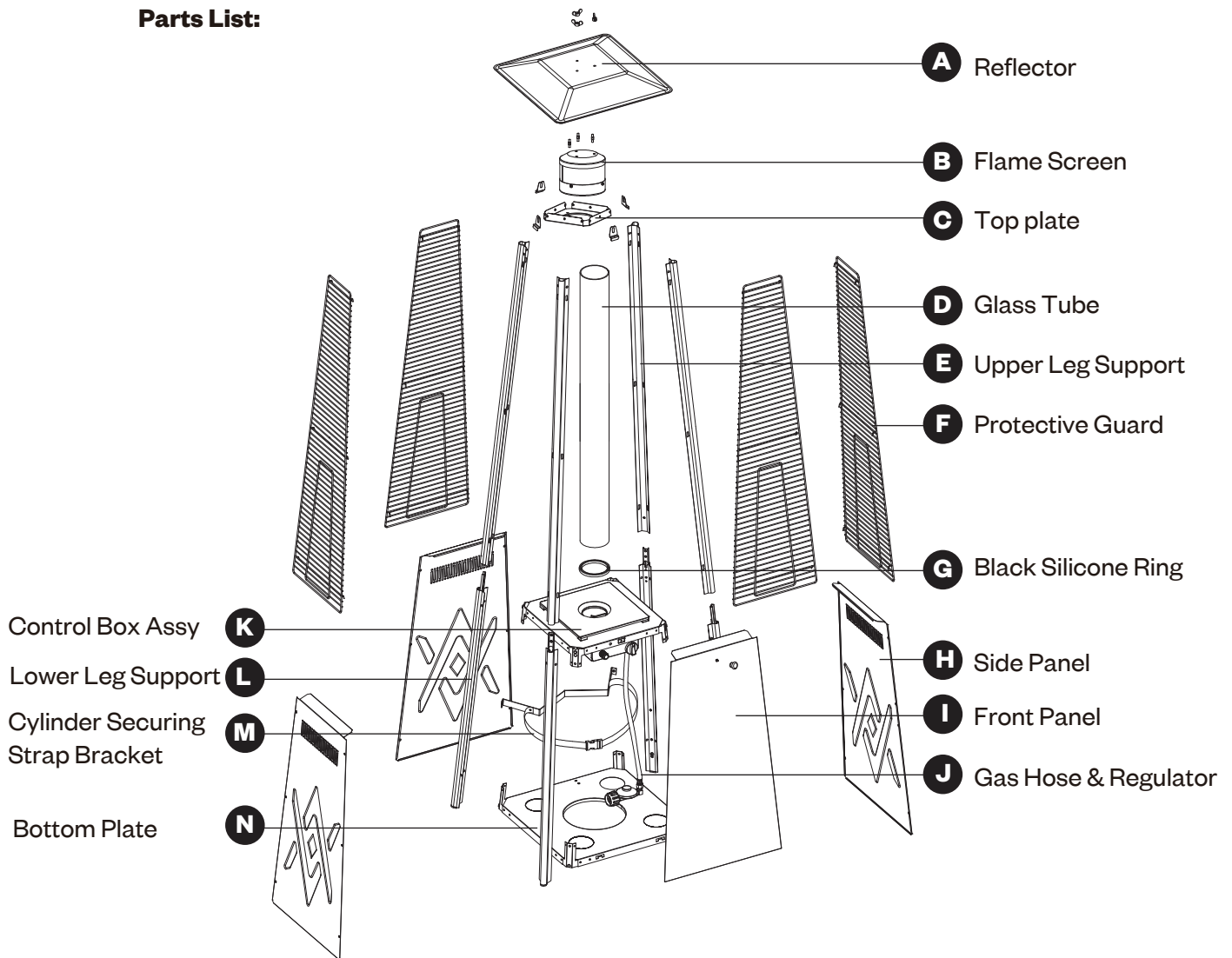
- For outdoor use only
- Gas type – Propane Gas
- Test Point Pressure: 2.75Kpa
- Pilot injector: 0.21 mm
- Burner Injector: 1.75 mm
- Gas Consumption: 37.4 MJ/h
- Weight: 22.5 kgs
- Height: 2270 mm

Assembly Parts and Procedures

Tools needed:

- Philips screwdriver w/ medium blade
- Spray bottle of soap solution for leakage test

Parts List:

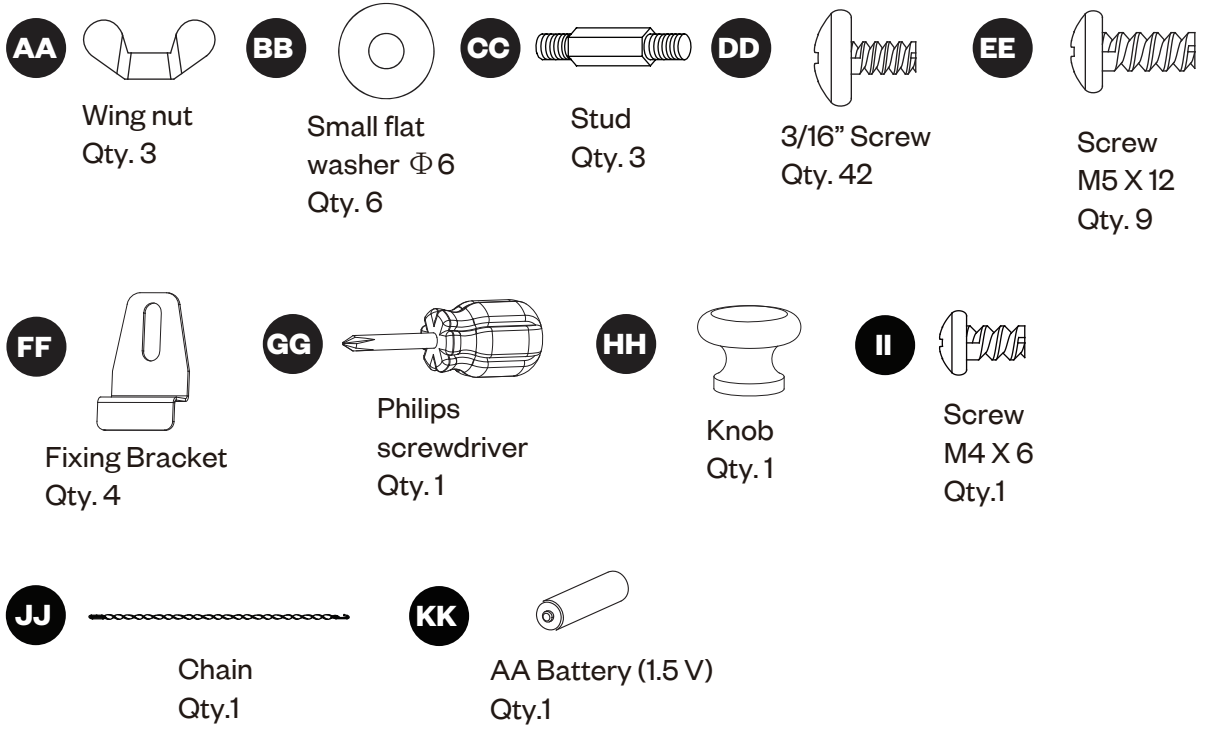


PART	DESCRIPTION	QUANTITY
A	Reflector	1
B	Flame Screen	1
C	Top plate	1
D	Glass Tube	1
E	Upper Leg Support	4
F	Protective Guard	4
G	Black Silicone Ring	1
H	Side Panel	3
I	Front Panel	1
J	Gas Hose & Regulator	1
K	Control Box Assy	1
L	Lower Leg Support	4

PART	DESCRIPTION	QUANTITY
M	Cylinder Securing Strap Bracket	1
N	Bottom Plate	1

Assembly Parts and Procedures

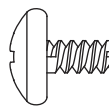
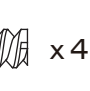
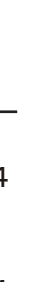
HARDWARE CONTENTS

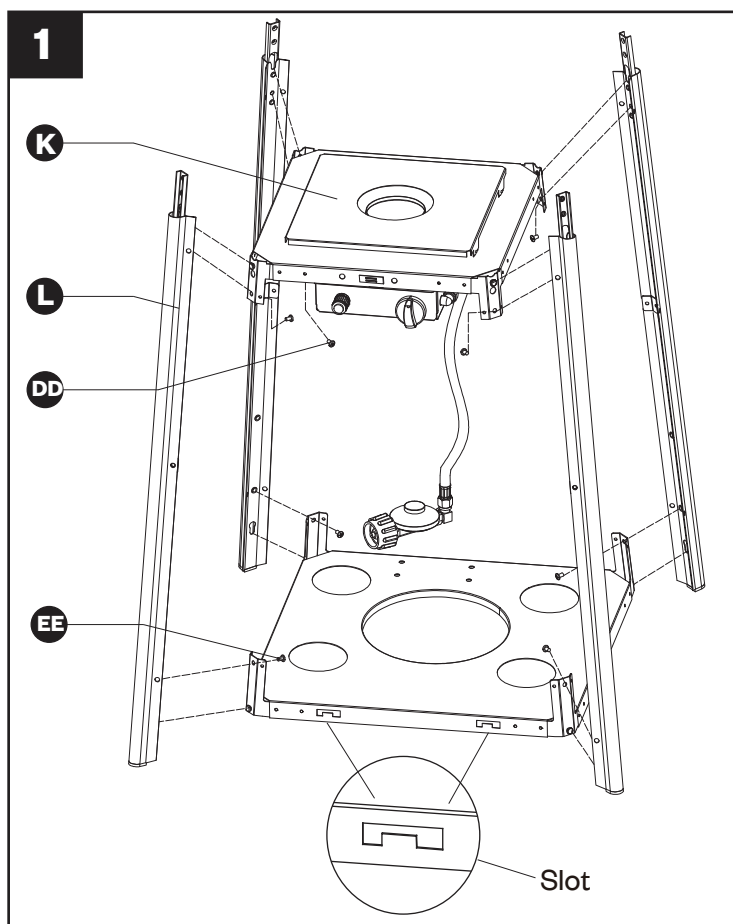


1. Insert the locator pins of the base into the holes on the lower leg support and press to secure. Using 4 pcs screw M5x12 to secure the lower leg support and base. Insert the locator pins on the control box assembly to the holes on the lower leg support and press to secure. Using 4 pcs 3/16" screw to secure the upper leg support and control box assembly.

NOTE: Ensure the controls are facing the same side where there are 2 small slots in the base - these are for the front panel.

Hardware Used



- DD** 3/16" Screw  x 4
- EE** Screw M5 X 12  x 4
- GG** Philips screwdriver  x 1

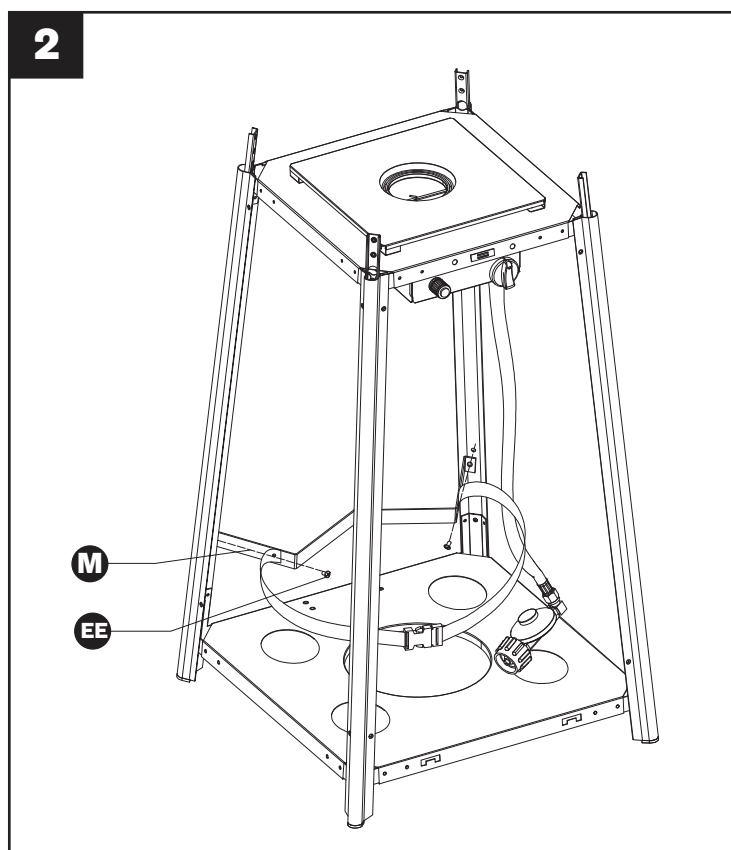


2. Assemble the cylinder securing strap bracket.

Fix the cylinder securing strap bracket to the 2 pcs lower leg support opposite the front door, using 2 pcs screw M5x12.

Hardware Used

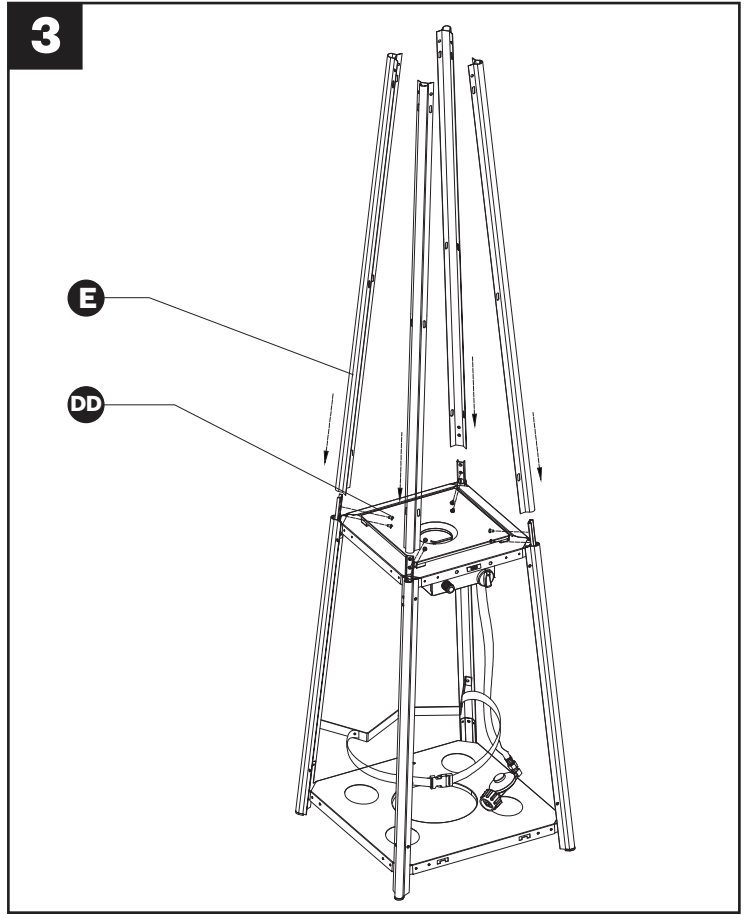
- EE** Screw M5 X 12  x 2
- GG** Philips screwdriver  x 1



3. Assemble the upper leg support.

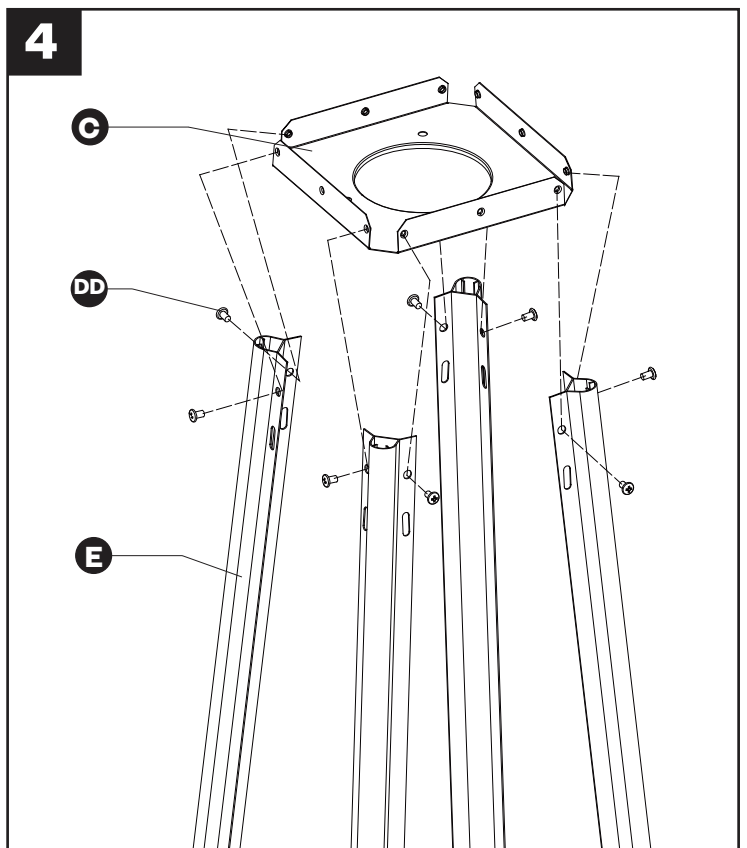
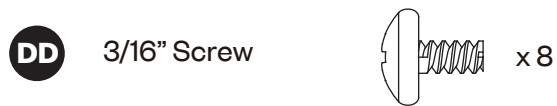
Insert the 4pcs upper leg support to the lower leg support. Secure them with 8 pcs screw 3/16".

Hardware Used



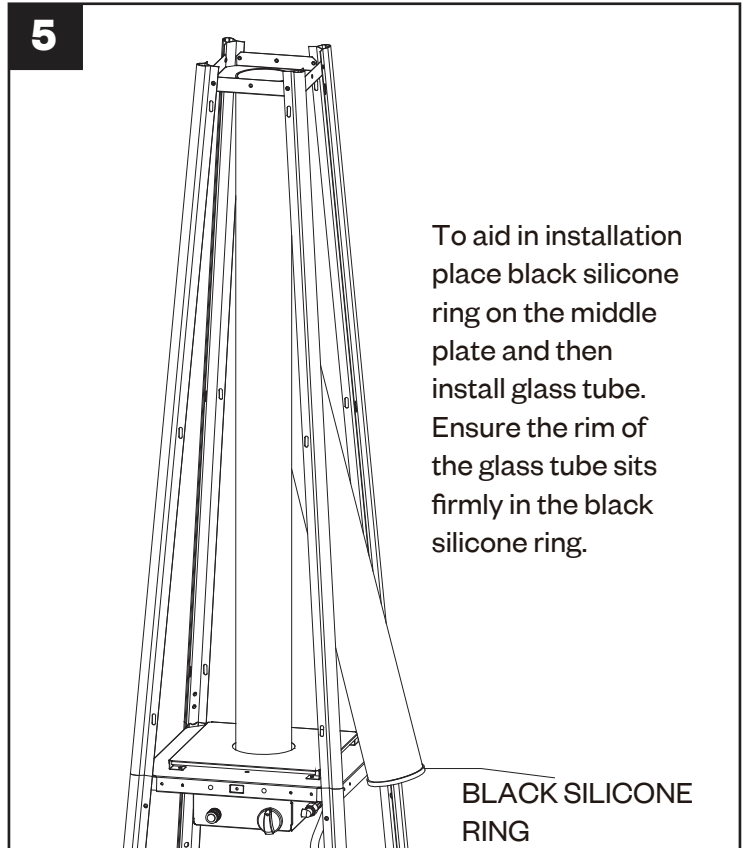
4. Assemble the top plate to the upper leg support. Secure the top plate to upper leg support using 8pcs screw 3/16".

Hardware Used



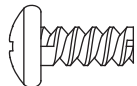
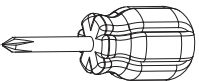
5. Carefully install the glass tube by lifting up and inserting through the center hole in the upper plate. Ensure the black silicone ring is attached to the lower edge of the glass tube as illustrated. Slide the glass tube through the hole of the lower plate cover and onto the middle plate. Check and ensure that the glass tube is positioned properly and is completely covering the center hole of the middle plate.

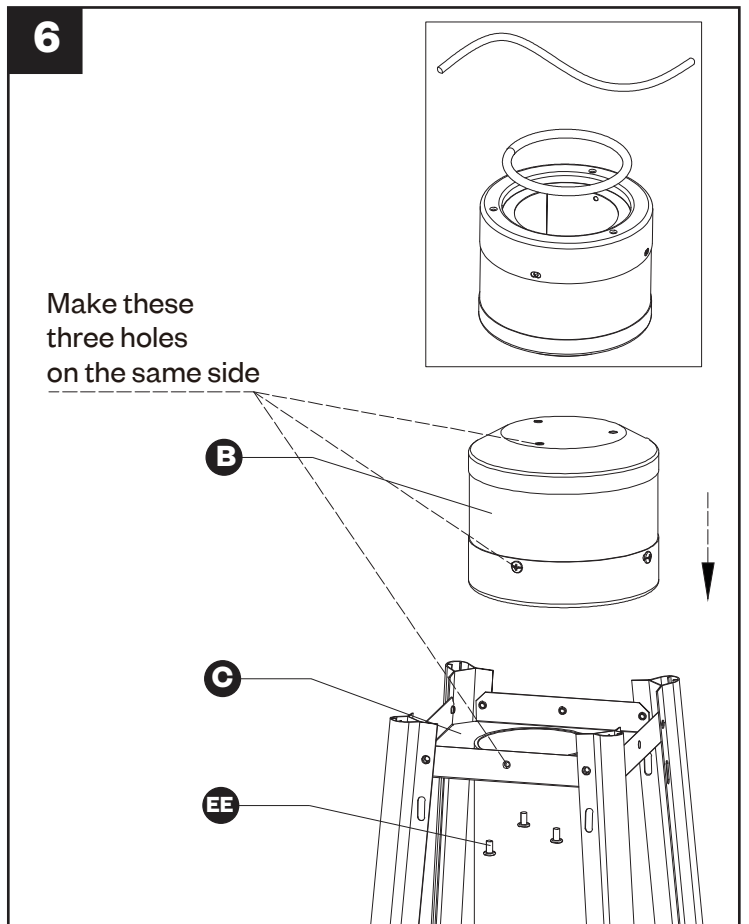
WARNING! The black silicone ring must be in place prior to operating the heater.



6. Assemble the flame screen onto the top plate. Make sure the ceramic fiber is inside of flame screen assembly. Assemble the flame screen onto top plate using 3pcs screw M5x12. Please note! This step will secure the glass tube properly at the same time.

Hardware Used

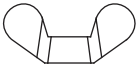
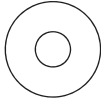
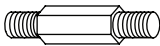
- EE** Screw M5 X 12  x 3
- GG** Philips screwdriver  x 1

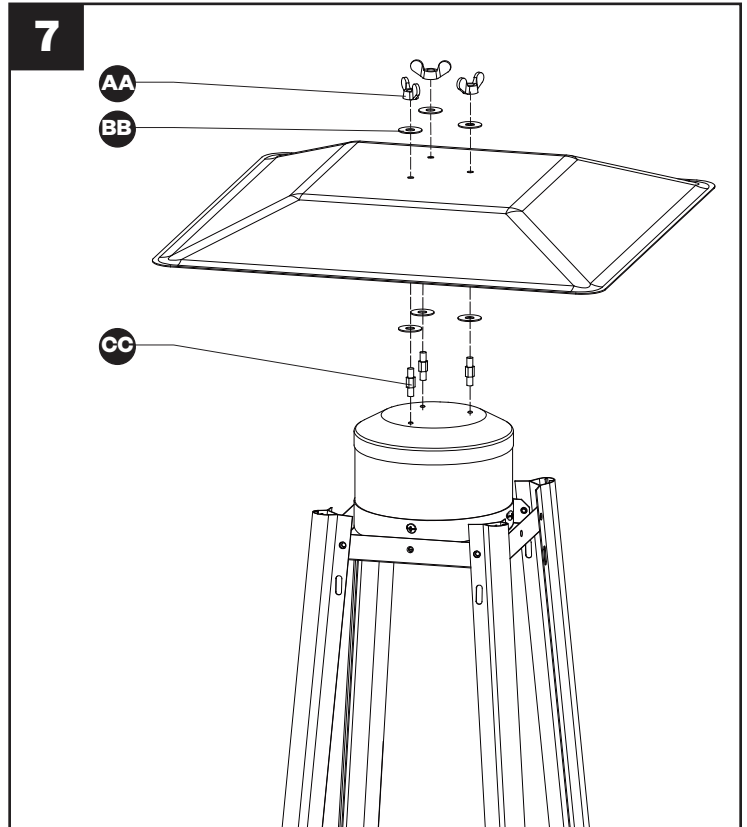


7. Assemble the reflector onto the flame screen.

Screw the 3pcs stud on the flame screen, put 3pcs washer $\varnothing 6$ onto the top of stud, then put the reflector onto the stud, secure them with 3pcs washer $\varnothing 6$ and 3pcs wing nut.

Hardware Used

AA	Wing nut		x 3
BB	Washer $\varnothing 6$		x 6
CC	Stud		x 3

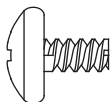
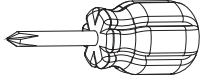



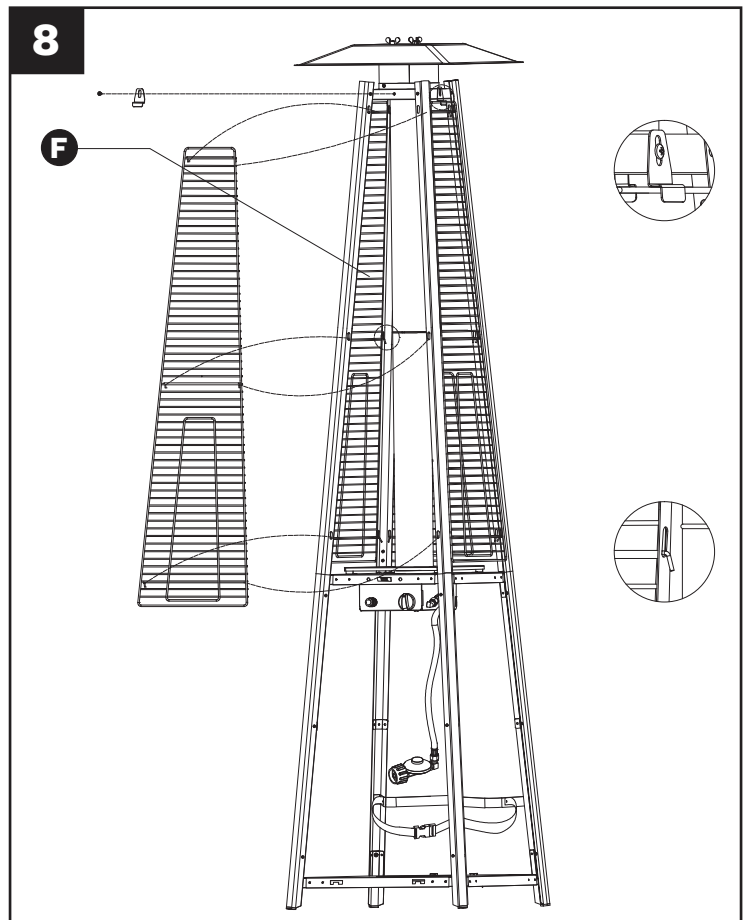
8. Assembly the protective guard.

Hang the hooks of the protective guard onto the holes in supports.

Secure the protective guards with fixing brackets with 4pcs 3/16" screws.

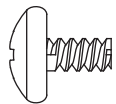
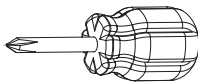
Hardware Used

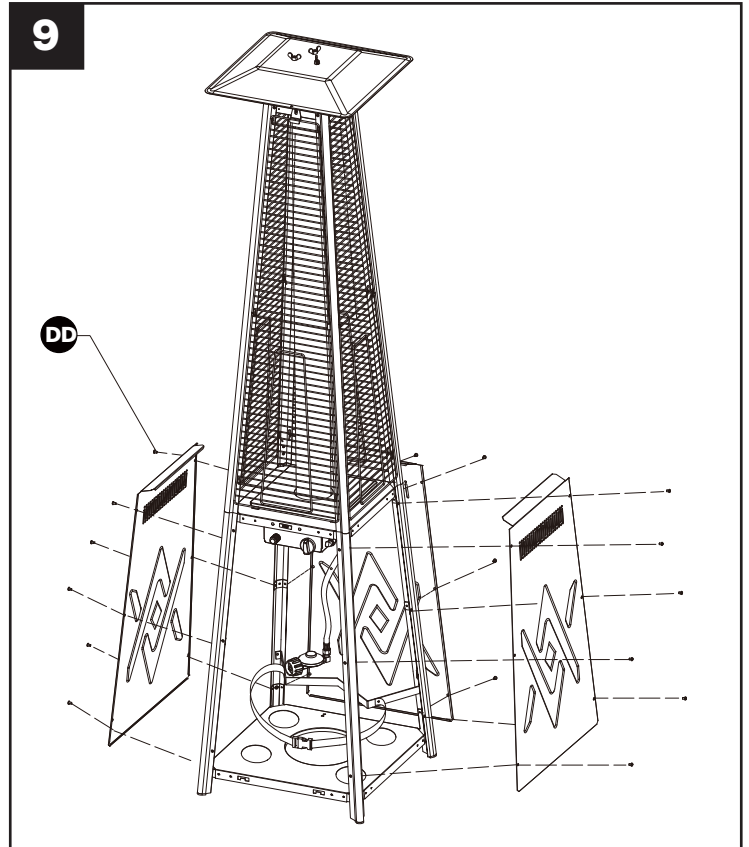
DD	3/16" Screw		x 4
GG	Philips screwdriver		x 1
FF	Fixing Bracket		x 4



9. Attach the three side panels to the heater using 18pcs screw 3/16".
 Note : Do not cover the front side where the control knob is.




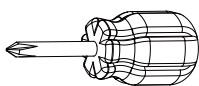
Hardware Used

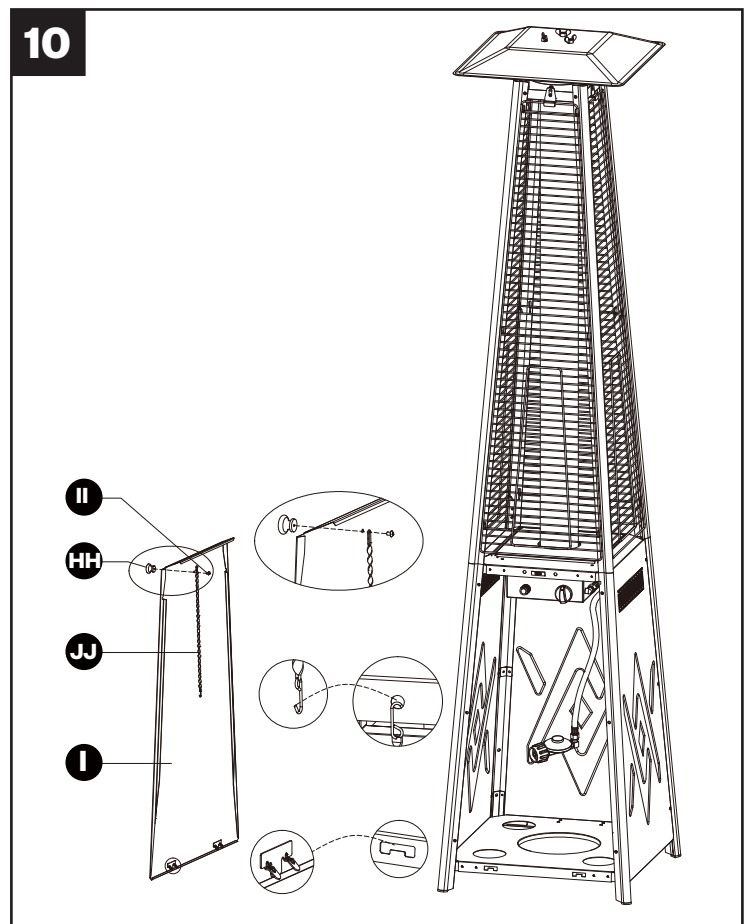
- DD** 3/16" Screw  x 18
- GG** Philips screwdriver  x 1



10. Install the knob to M4X6 screw with chain on the door. Hang the chain to the hole on the control box assy and put the pothook of front panel to the holes of bottom plate.

Hardware Used

- HH** Knob  x 1
- II** Screw M4 X 6  x 1
- JJ** Chain  x 1
- GG** Philips screwdriver  x 1

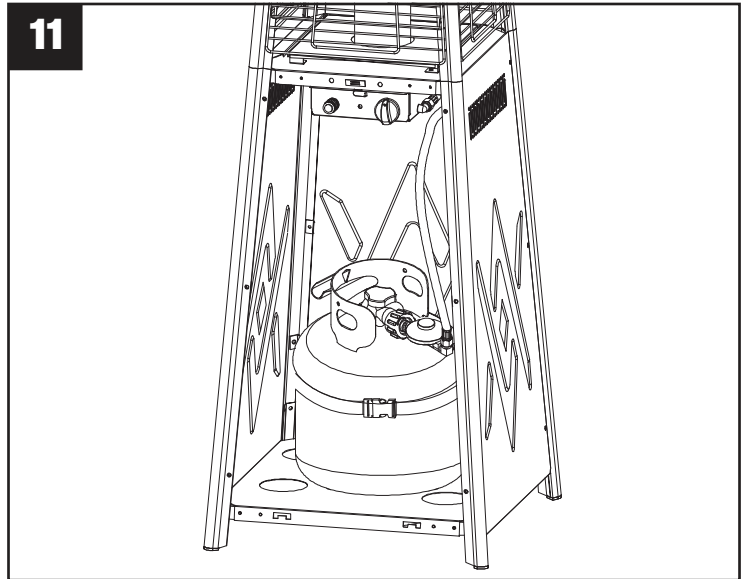


11. Hose connection (Propane Only)

After the cylinder is placed inside the heater, secure the cylinder with the strap then connect the regulator to the gas cylinder. Ensure this connection is done correctly.



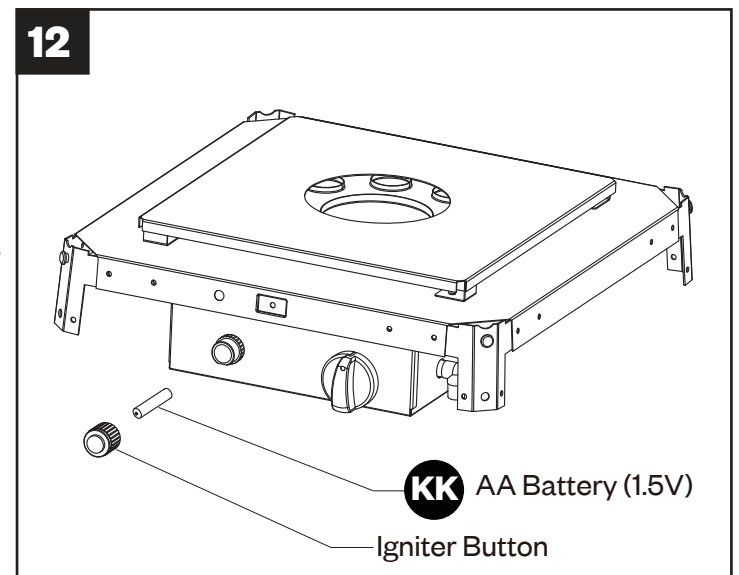
WARNING! Ensure the hose does not contact any high temperature surfaces, or it may melt and leak causing a fire.



12. Install the battery.

Unscrew the igniter button, then install the battery and tighten igniter button.

The igniter is powered by a small battery, if the pilot can't be lighted, the problem may be on the battery which is exhausted. If the battery in igniter is exhausted. Please replace the battery(DC1.5V).



13. Leak Check.



WARNING! A leak test must be performed annually and each time a cylinder is hooked up or if a part of the gas system is replaced.



WARNING! Never use an open flame to check for gas leaks. Be certain no sparks or open flames are in the area while you check for leaks. Sparks or open flames will result in a fire or explosion, damage to property, serious bodily injury, or death.



Leak testing: This must be done before initial use, annually, and whenever any gas components are replaced or serviced. Do not smoke while performing this test, and remove all sources of ignition. See Leak Testing Diagram for areas to check. Turn all burner controls to the off position. Turn gas supply valve on.

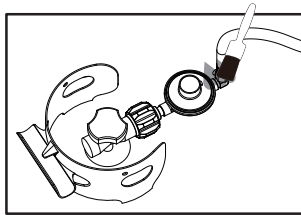


Brush a half-and-half solution of liquid soap and water onto all joints and connections of the regulator, hose, manifolds and valves.

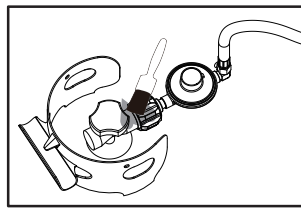


Bubbles will indicate a gas leak. Either tighten the loose joint or have the part replaced with one recommended by the Customer Care department and have the patio heater inspected by a certified gas installer.

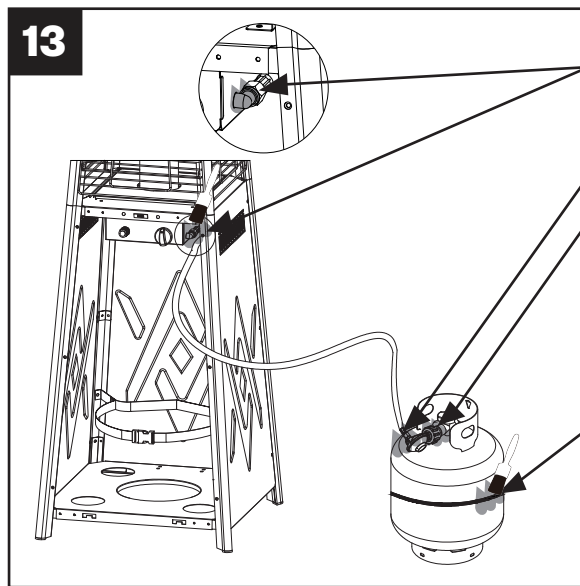
If the leak cannot be stopped, immediately shut off the gas supply, disconnect it, and have the patio heater inspected by a certified gas installer or dealer. Do not use the patio heater until the leak has been corrected.



Hose / Regulator connection



Regulator / Cylinder connection



Pilot Service

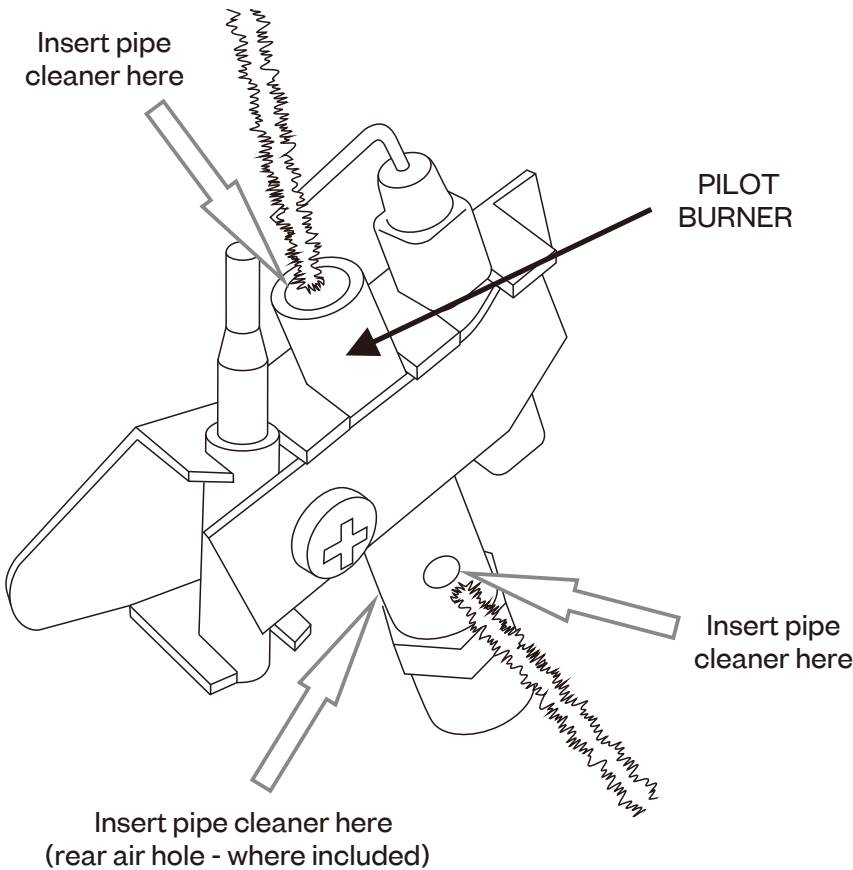
The pilot burner should produce a small blue flame. If your pilot flame is very large or orange or the pilot flame comes out of the side holes, you need to service your pilot burner.

To service the pilot burner, remove the safety guard then dismantle the control box to check the pilot. Then insert a pipe cleaner into the air holes at the base of the pilot tube, and in the pilot burner tube as shown below to clear spider webs or nests.

Blow air through the pilot burner tube and through the air holes at the base of the pilot tube to clear the pilot burner of dead moths or bugs.

Don't poke wire or drills into the pilot burner to prevent damage to the precise gas jet inside the pilot tube.

A pilot blockage will prevent normal operation of your heater so regularly check your pilot.



Problems Checklist

<u>PROBLEM</u>	<u>PROBABLE CAUSE</u>	<u>SOLUTION</u>
Pilot will not light	Gas valve may be OFF Tank fuel empty Opening blocked Air in supply system Loose connections The battery in igniter exhausted	Turn the gas valve ON Refill LPG tank Clean or replace opening Purge air from lines Check all fittings Replace the battery(DC 1.5V)
Pilot will not stay on	Debris around pilot Loose connections Thermocouple bad Gas leak in line Lack of fuel pressure	Clean dirty area Tighten connections Replace thermocouple Check connections Tank near empty. Refill LPG tank.
Burner will not light	Pressure is low Opening blocked Control not ON Thermocouple bad Pilot light assembly bent Not in correct location	Tank near empty. Refill LPG tank. Remove and clean Turn valve to ON Replace thermocouple Place pilot properly Position properly and retry

If the appliance is in case of any defaults or problems of assembly or use please don't try to modify it by yourself contact your supplier or distributor to solve it.

Product Warranty

Thank you for purchasing one of our quality Mimosa products. Please keep your receipt as proof of purchase, as this will authenticate your warranty. Any claim under this warranty must be made within 12 Months of the date of purchase of the product.

To make a claim under the warranty, take the product (with proof of purchase) to any Bunnings store.

See www.bunnings.com.au or bunnings.co.nz for store locations)

Bunnings bears reasonable, direct, expenses of claiming under the warranty. You may submit details and proof to our store for consideration.

The warranty covers manufacturer defects in materials, workmanship and finish under normal use.

This warranty is provided in addition to other rights and remedies you may have under law: our goods come with guarantees which cannot be excluded under the Australian Consumer Law or Consumer Guarantees Act 1993 (NZ). You are entitled to replacement or refund for a major failure and to compensation for other reasonably foreseeable loss or damage. You are also entitled to have the goods repaired or replaced if the goods fail to be of acceptable quality and the failure does not amount to a major failure.

The warranty excludes damage resulting from product misuse or product neglect. The warranty covers domestic use only and does not apply to commercial applications.

This warranty is given by Bunnings Group Limited ABN 26 008 672 179, Botanicca 3 Level 2 East Tower 570 Swan Street, Burnley, VIC 312, e-mail: CustomerSupport@bunnings.com.au
Or call our Customer Support Team – Ph.1800 797 586

This warranty is given by Bunnings NZ Limited: Postal address: PO Box 14436, Panmure, Auckland 1741, e-mail: OnlineEnquiries@bunnings.co.nz
Or call our Customer Support Team – Ph.1800 797 586