



WARNING.
FOR DOMESTIC
AND OUTDOOR
USE ONLY



Let us help you
Scan QR code for
Installation video and
view on our website
swingslideclimb.com.au/how-to/

3 Function Swing Set



Powder Coated
Steel



UV Stabilised

3+

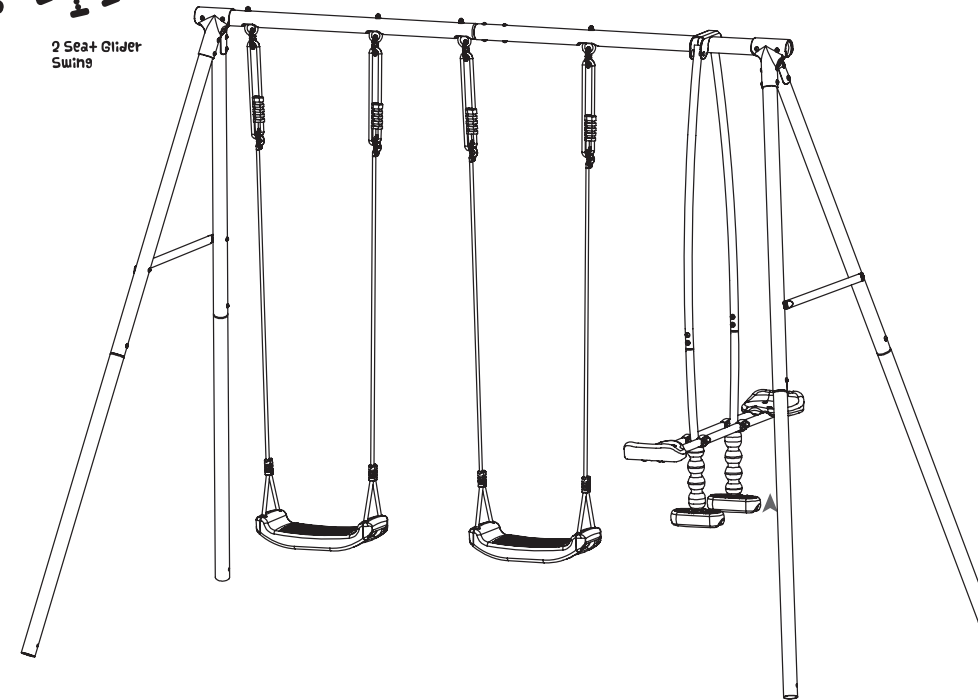
3+ Years



Swings



2 Seat Glider
Swing



WARNING. ONLY FOR DOMESTIC OUTDOOR USE.
THIS PLAYSET SATISFIES ALL THE REQUIREMENTS OF THE AUSTRALIAN STANDARD AS/NZS ISO 8124 AND
HAS BEEN CERTIFIED BY AN INDEPENDENT LABORATORY. TO GUARANTEE SAFETY, PLEASE GIVE SPECIAL
ATTENTION TO THE ASSEMBLY, SAFETY AND CARE INSTRUCTIONS DETAILED IN THIS DOCUMENT.

ASSEMBLY ADVICE

Please follow the assembly instructions exactly as given.

- This product must be assembled by an adult.
- Keep a copy of your assembly instructions for future reference. This can be particularly handy for identification of parts if any after sales service is required.
- The EN 71-8, chapter 4-6 standard requires a 40cm minimum distance between the ground and a 2 person swing and a 35cm minimum distance between the ground and swings. These distances are important for safe use. After having assembled the playground, check these distances. In case of non-conformity, do not hesitate to contact our after sales service.
- We advise that the swing set is not faced towards the sun
- Before commencing, check that none of the parts are missing. If you find that you are missing a part please contact our after sales service department.
- Dispose of packaging thoughtfully.
- Do not allow children to play with packaging.

SAFETY ADVICE

This product must not be used by children under the age of 36 months. It is suitable only for children between the ages of 3 and 12 years with a maximum weight of 50kg. It must be used under adult supervision.

- As this product contains small parts that could be swallowed, please keep parts away from children under 36 months.
- This product is only for private use at home and must never be used in parks and public gardens, in schools, camp sites, hotels, public leisure areas, etc.
- The swing set should be set up on a flat surface 2 metres away from all other things, structures or obstacles (walls, fences, trees, washing lines or electric cables etc.) that could cause injury during use.
- This product must not be set up over hard surfaces such as concrete, asphalt or other hard surfaces. We recommend installation over grass or other such soft surfaces.
- This swing set must be embedded firmly into the ground. Please follow the instructions carefully for doing so. Only use this product when the concrete is dry.
- Anchors should be placed level with or below ground level in order to reduce tripping hazards
- The anchorage must be checked regularly. In addition to the hooks and fixtures.
- Dispose of packaging thoughtfully.
- Do not allow children to play with packaging.

FIXING INTO THE GROUND

- 1- Assemble the swing set completely and place it in the desired place.
- 2- Locate and mark the position for the sealing legs.
- 3- Check the dimensions showed on the diagram, and correct if necessary.
- 4- Under the four feet, mark a square of 350 X 350 mm and dig a 350 mm deep hole.
- 5- Fill these holes with concrete following the diagram of the recto. The top of the concrete should not exceed ground level.
- 6- Place the sealing legs in the concrete in the located place (see point 2). Make sure the drilled end of the sealing legs is above the level of the concrete.
- 7- Once the concrete is set, screw the feet into the sealing legs.
- 8- Ensure that the concrete is completely dry before using the swing.
- 9- Cover the concrete with soil. We strongly advise checking this anchoring periodically

MAINTENANCE

All metal parts are galvanized steel and powder coated for rust protection; however, in certain areas close to the sea we advise that additional rust prevention treatment may be necessary.

The surfaces of all the parts should be checked at least once a month, especially for the fixtures such as hooks on the overhead beam. If the fixtures and hooks show wear over 10% of their original thickness, then they should be replaced with the same fixtures as those originally provided.

All parts that are under constant friction should be oiled regularly with a suitable lubricant.

The ground on which the product is placed should be controlled regularly. All elements such as stones or other objects that could cause injury in the case of a fall should be removed. It is advised to remove the apparatus during the winter period, when not in use, to avoid any deterioration due to bad weather conditions.

All used apparatuses and/or parts must be replaced by a part delivered by our after sales service, or by an approved retailer.

PRACTICAL ADVICE

Frequent questions and observations

SAFETY

Safety checks should be carried out regularly on this product. These checks should include, if necessary, removing any sharp edges, replacing missing screw covers, and tightening the nuts and bolts. These checks should be done to avoid any danger or upturning of the swing set through normal wear and tear.

If the swing set develops a squeak apply a suitable gel lubricant. Do not use liquid lubricant as it will run down the fixings and apparatus. The height of the swing can be adjusted using the plastic eyelet fixture. By pulling the rope through the fixture, the height of the seat can be adjusted to suit the user. The dimensions given are indicative only, they may vary according to the assembly method.

This Swing Set must be used under adult supervision. Keep any additional components, they may be useful for later operation of maintenance.

CAUTION ! Fall danger

Consumer information sheet for playground surfacing materials

The US Consumer Product Safety Commission (CPSC) estimates that about 100,000 playground equipment related injuries resulting from falls to the ground surface are treated annually in US hospital emergency rooms. Injuries involving this hazard pattern tend to be among the most serious of all playground injuries, and have the potential to be fatal, particularly when the injury is to the head. The surface under and around playground equipment can be a major factor in determining the injury-causing potential of a fall. It is self-evident that a fall on to a shock-absorbing surface is less likely to cause a serious injury than a fall onto a hard surface. Playground equipment should never be placed on hard surfaces, such as concrete or asphalt, and while grass may appear to be acceptable, it may quickly turn to hard-packed earth in areas of high traffic. Shredded bark mulch, wood chips, fine sand or fine gravel are considered to be acceptable shock absorbing surfaces when installed and maintained at a sufficient depth under and around playground equipment.

Table B.1 lists the maximum height from which a child would not be expected to sustain a life-threatening head injury in a fall on to four different loose-fill surfacing materials if they are installed and maintained at depths of 150 mm, 225 mm and 300 mm.

Table B.1--Fall height in millimeters from which a life-threatening head injury would not be expected

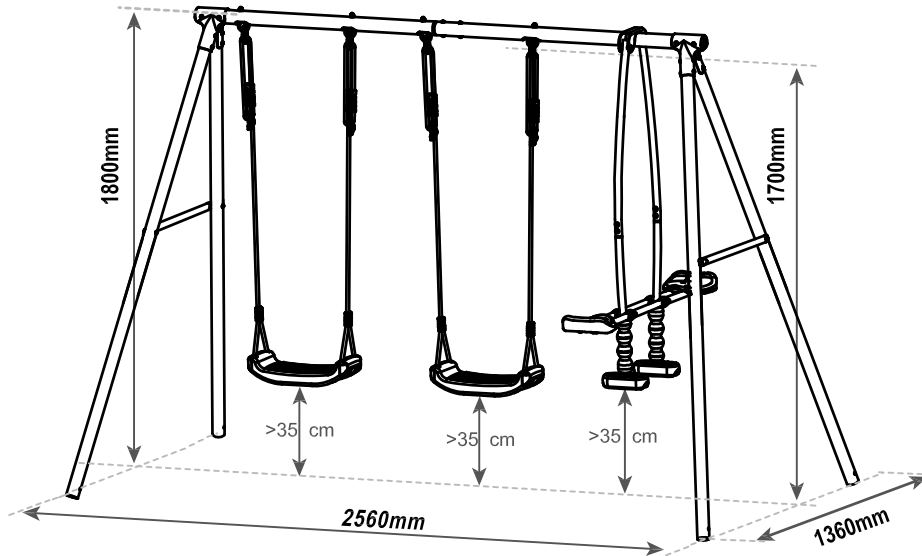
Type of material	Depth of surfacing material		
	150mm	225mm	300mm
Double shredded bark mulch	1800	3000	3300
Wood chips	1800	2100	3600
Fine sand	1500	1500	2700
Fine gravel	1800	2100	3000

However, it should be recognised that all injuries due to falls cannot be prevented, no matter what surfacing material is used.

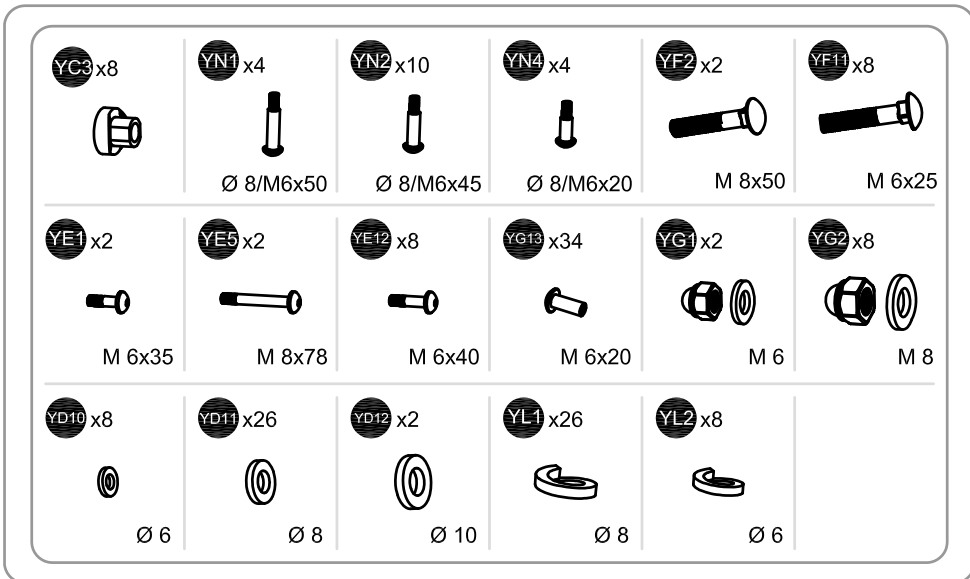
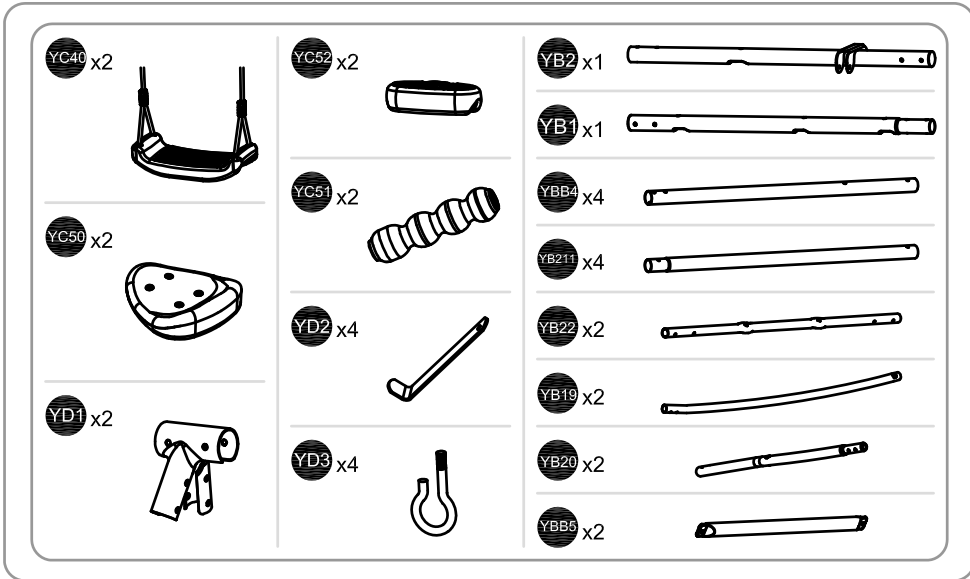
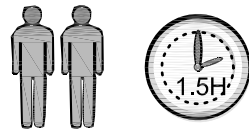
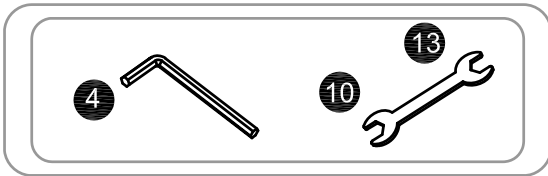
It is recommended that a shock absorbing material extend a minimum of 1 800 mm in all directions from the perimeter of stationary equipment such as climbing frames and slides. However, because children may deliberately jump from a moving swing, the shock absorbing material should extend in the front and rear of a swing a minimum distance of twice the height of the pivot point measured from a point directly beneath the pivot on the supporting structure.

This information is intended to assist in comparing the relative shock-absorbing properties of various materials. No particular material is recommended over another. However, each material is only effective when properly maintained. Materials should be checked periodically and replenished to maintain correct depth as determined necessary for the equipment in question. The choice of a material depends on the type and height of the playground equipment, the availability of the material in a particular area, and its cost.

This information has been extracted from the CPSC publications "Playground Surfacing — Technical Information Guide" and "Handbook for Public Playground Safety".



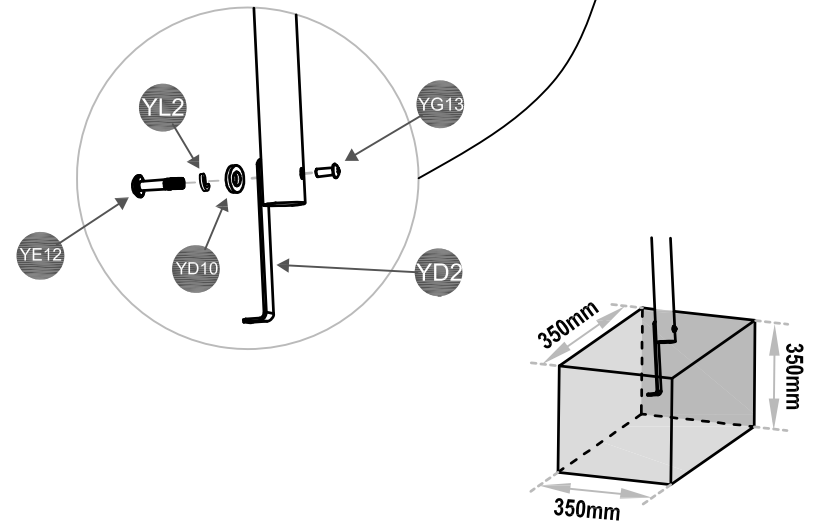
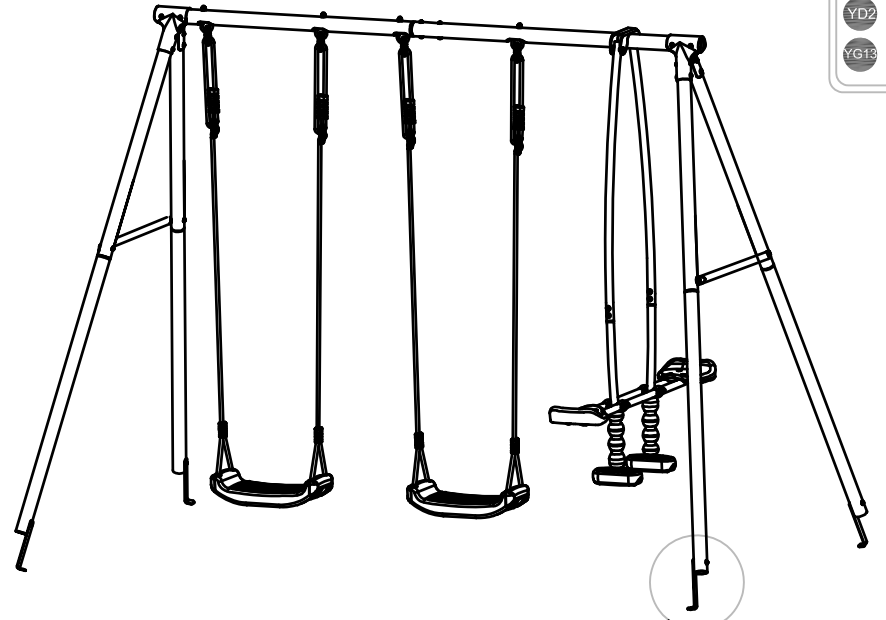
Warning: Maximum fall heights is 170 cm



1

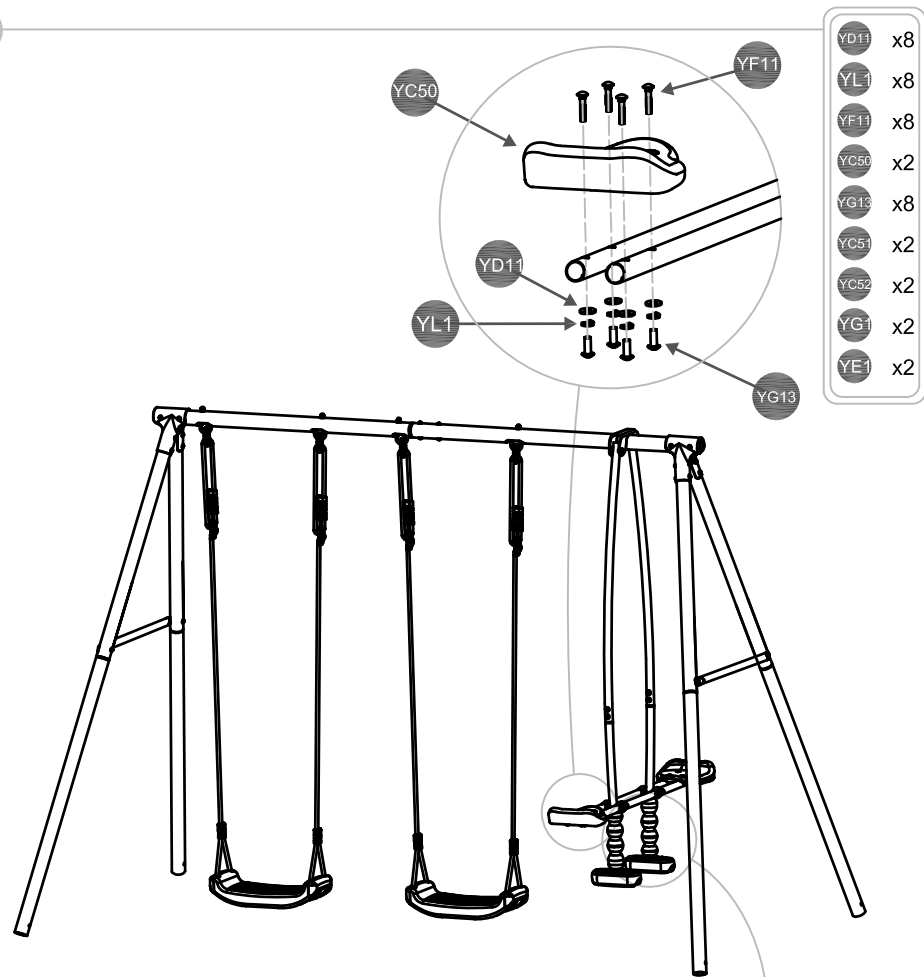
5

- YL2 x4
- YD10 x4
- YE12 x4
- YD2 x4
- YG13 x4

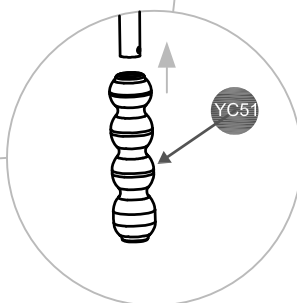
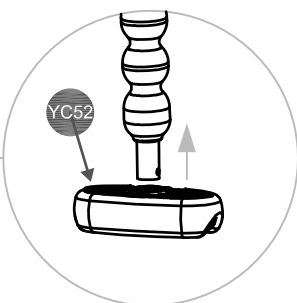
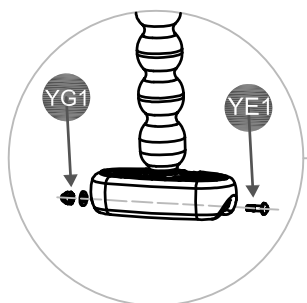


6

4

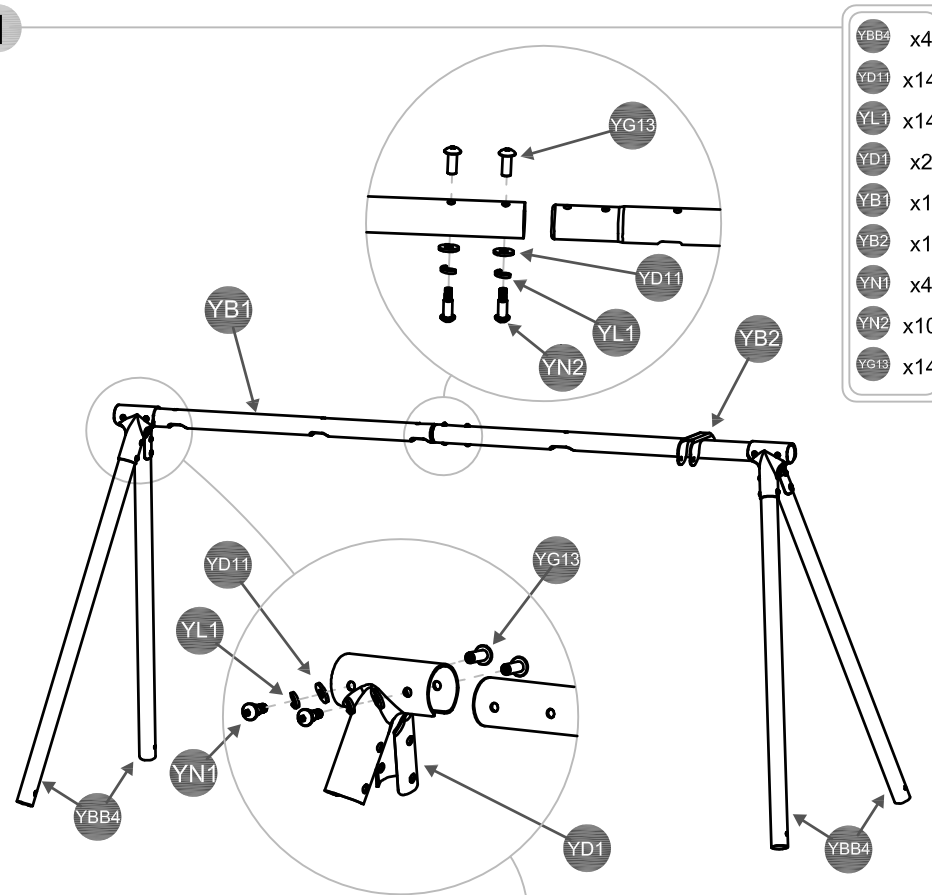


- YD11 x8
- YL1 x8
- YF11 x8
- YC50 x2
- YG13 x8
- YC51 x2
- YC52 x2
- YG1 x2
- YE1 x2

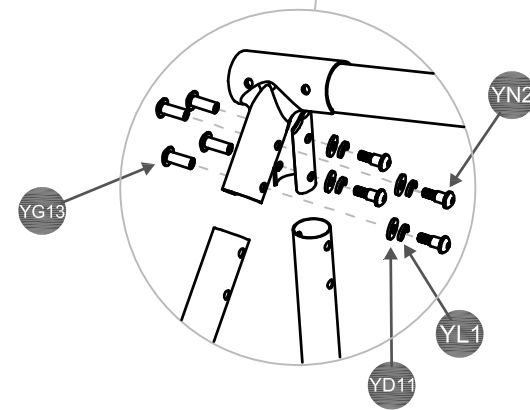


5

1

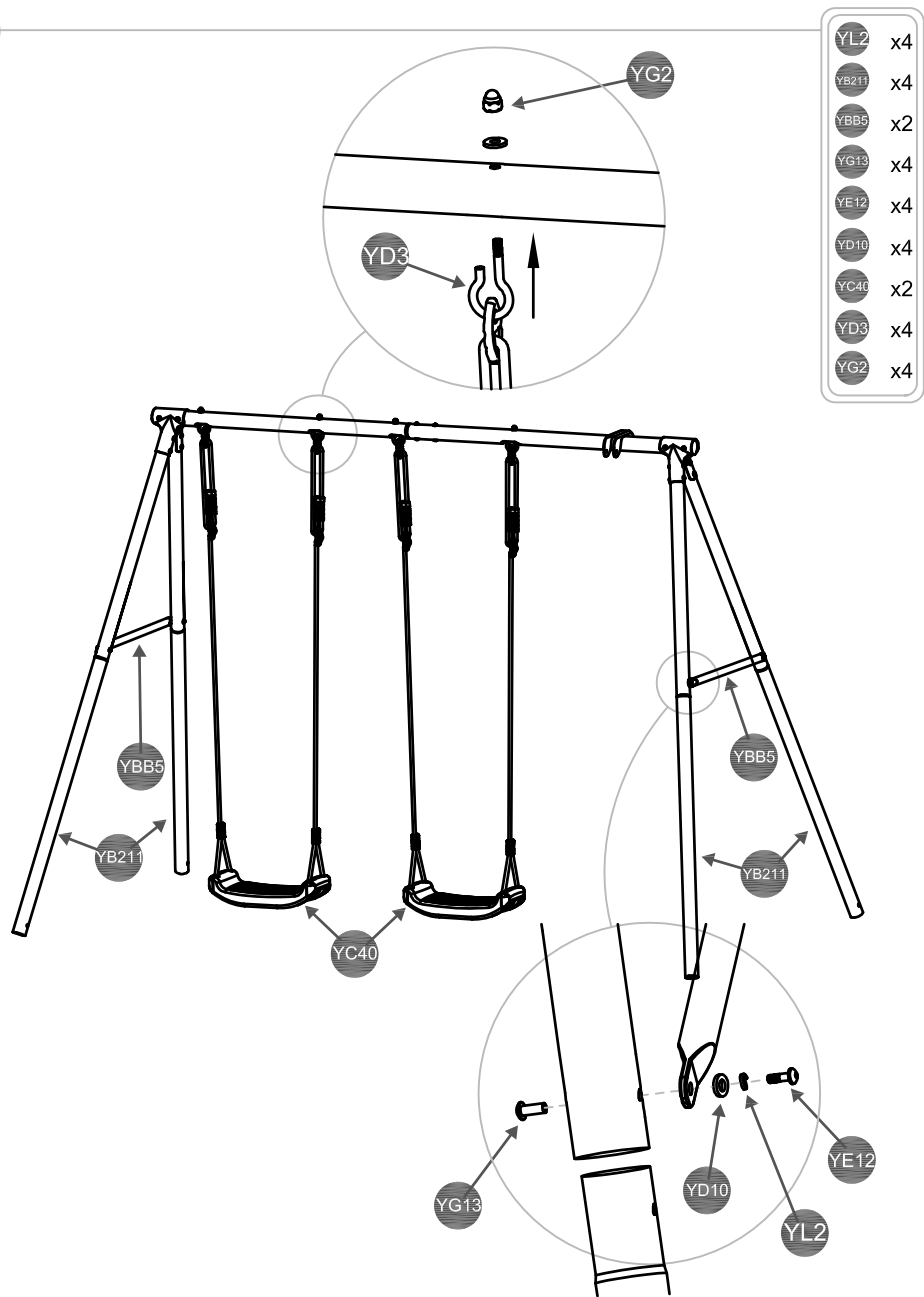


- YBB4 x4
- YD11 x14
- YL1 x14
- YD1 x2
- YB1 x1
- YB2 x1
- YN1 x4
- YN2 x10
- YG13 x14



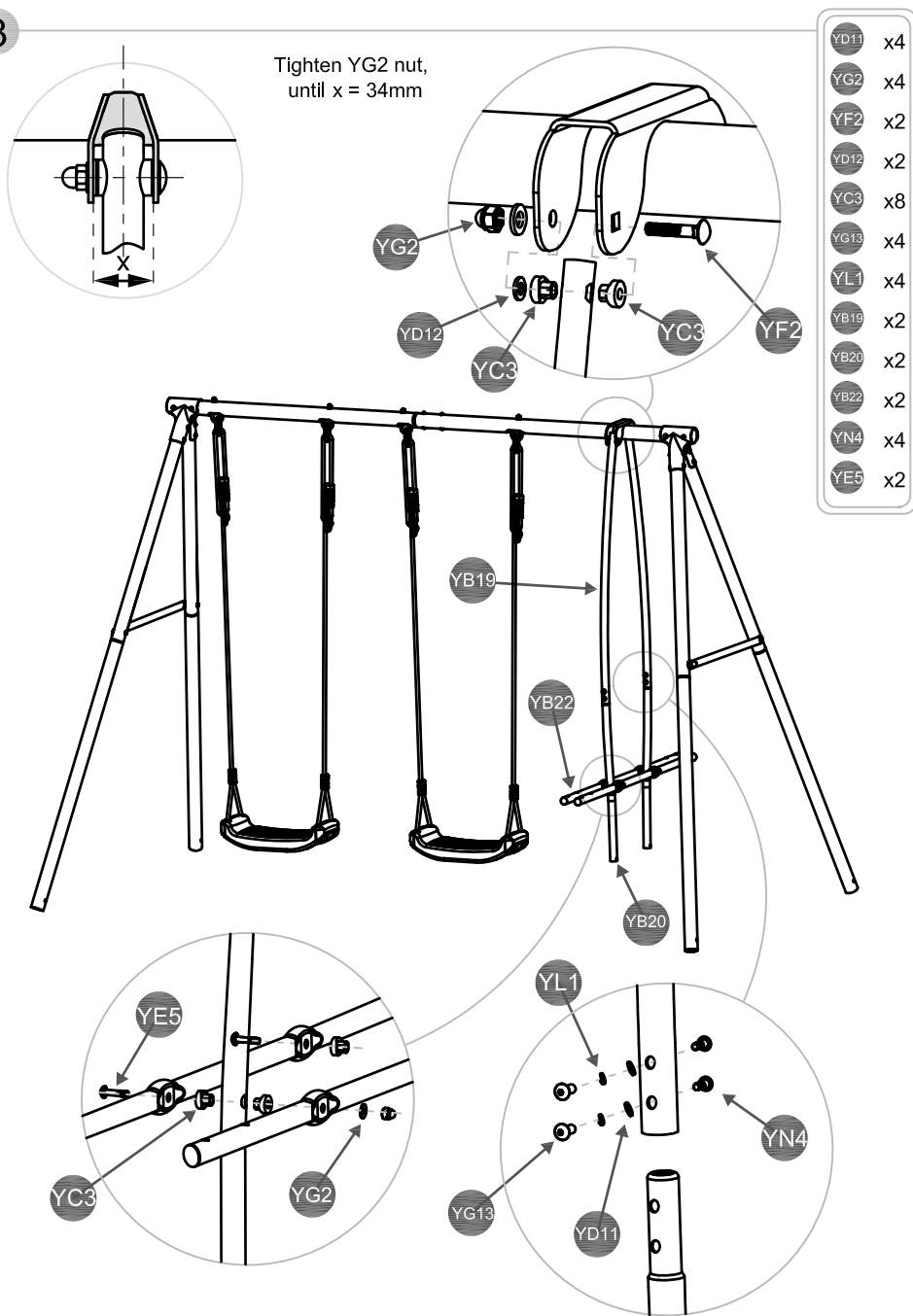
2

2



3

3



4