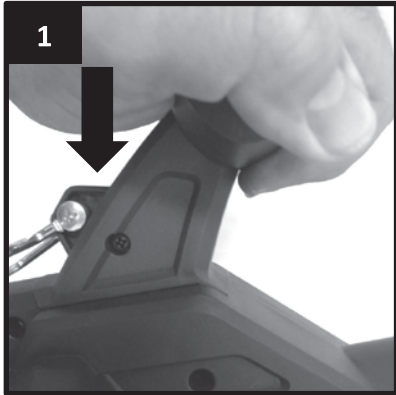


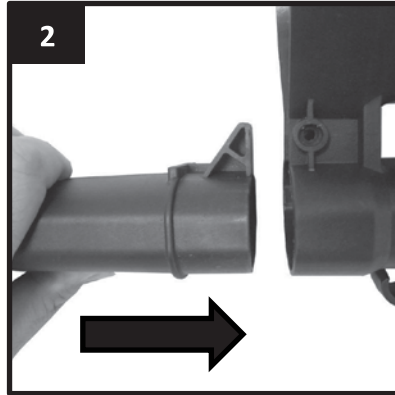
1st Time User

Freecall (Aus) 1800 069 486
(NZ) 0508 069 486

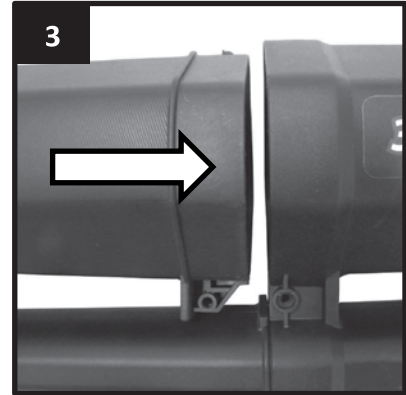
www.ozito.com.au



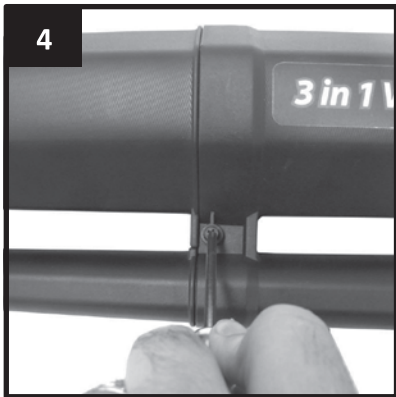
1 Insert secondary handle



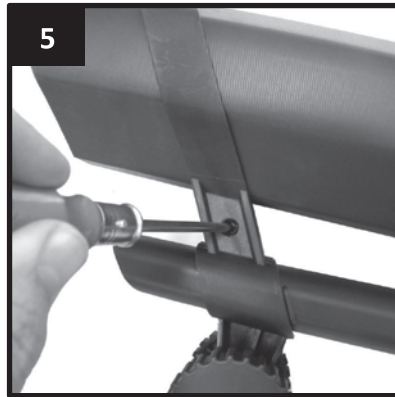
2 Insert smaller lower tube into matching upper tube. Ensure a firm connection.



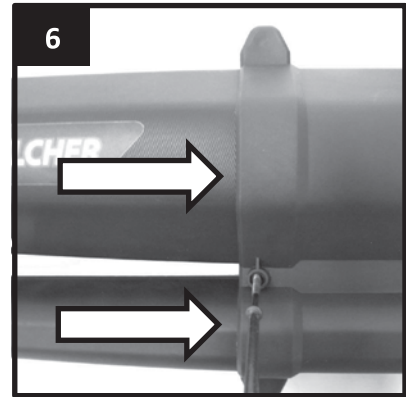
3 Insert the remaining larger lower tube into matching upper tube



4 Secure in place with supplied 45mm screw.

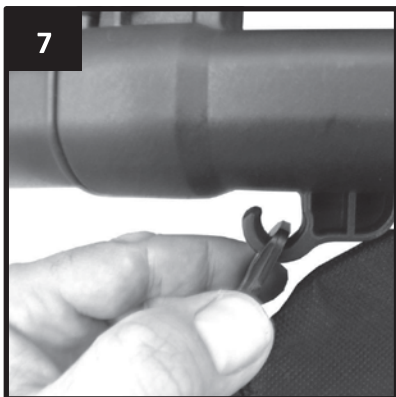


5 Slide the nose guide wheels over lower tubes until it locates into position. Secure in place with the supplied 20mm screw.

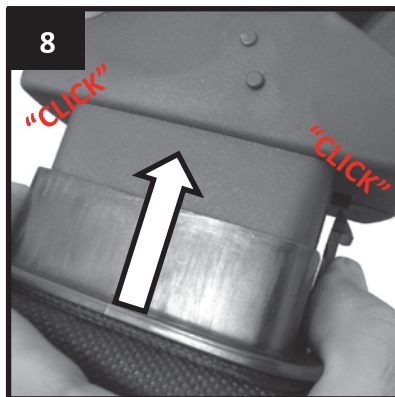


6 Slide the assembled tubes into motor housing and secure in place with the 55mm screw.

Caution: In the interest of safety the tubes should not be removed after they have been assembled



7 Attach the clip on the collection bag to the hook underneath the upper tube.



8 Attach the plastic connector on the collection bag to the outlet in the housing. Ensure the two locating hooks "click" into the slots on the housing.



9 Make a loop with the extension cord and push it through the square hole under the motor housing and over cord retainer. Connect the extension cord socket to the blower vac's cord plug.