

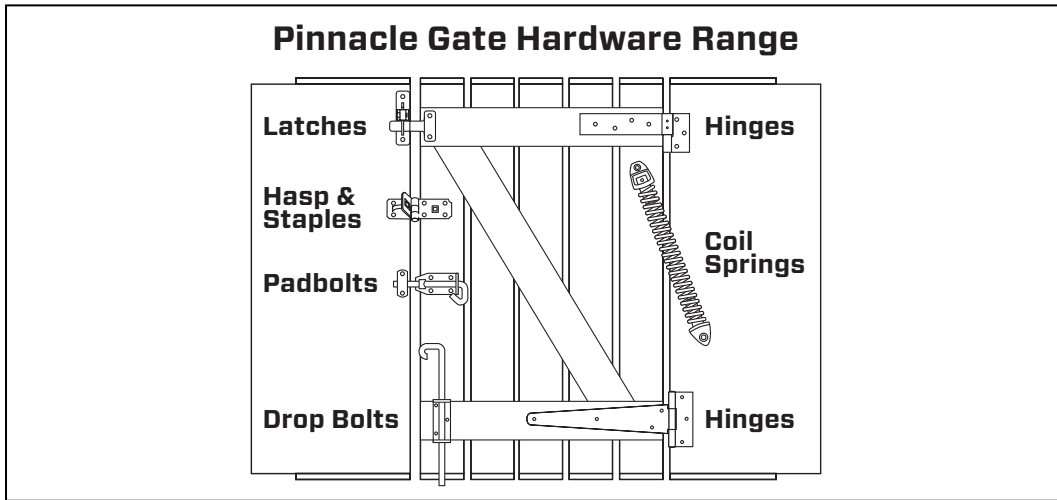
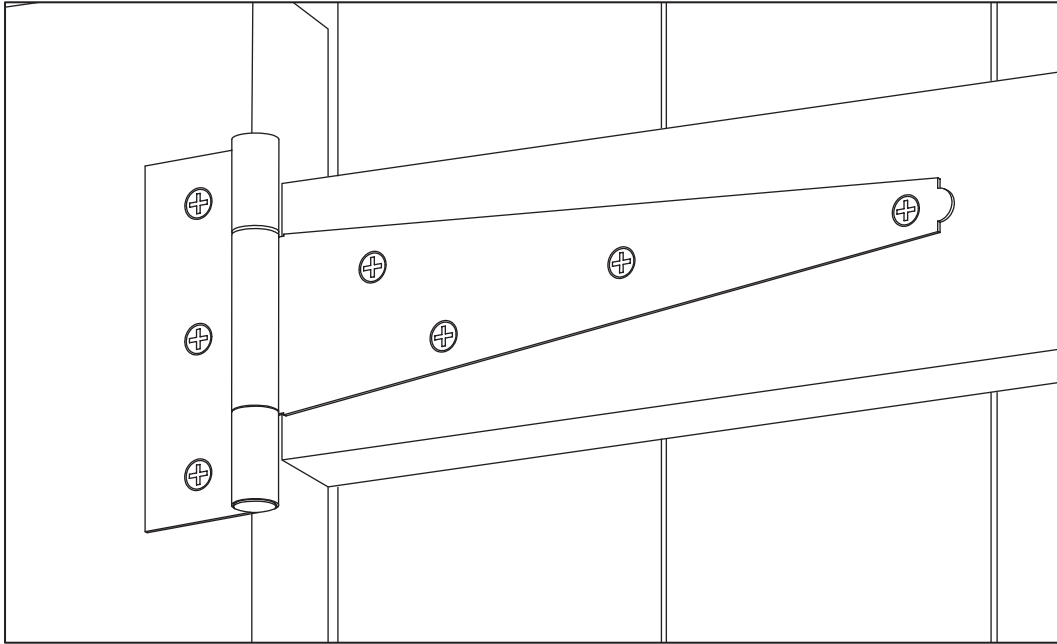
200mm

Tee Hinge

Tools required: Pencil, No.2 Phillips screwdriver, drill and drill bit.

Installation instructions:

1. Place hinge in desired location against the post and gate and mark screw locations.
2. Drill appropriate size pilot holes and fasten with screws.



Corrosion Protection Chart

Finish:	Rating:	
Stainless Steel	Ultimate	🛡️ 🛡️ 🛡️
Galvanised	High	🛡️ 🛡️
Zinc Plated	Moderate	🛡️

Suitable for model no: GHS061.