



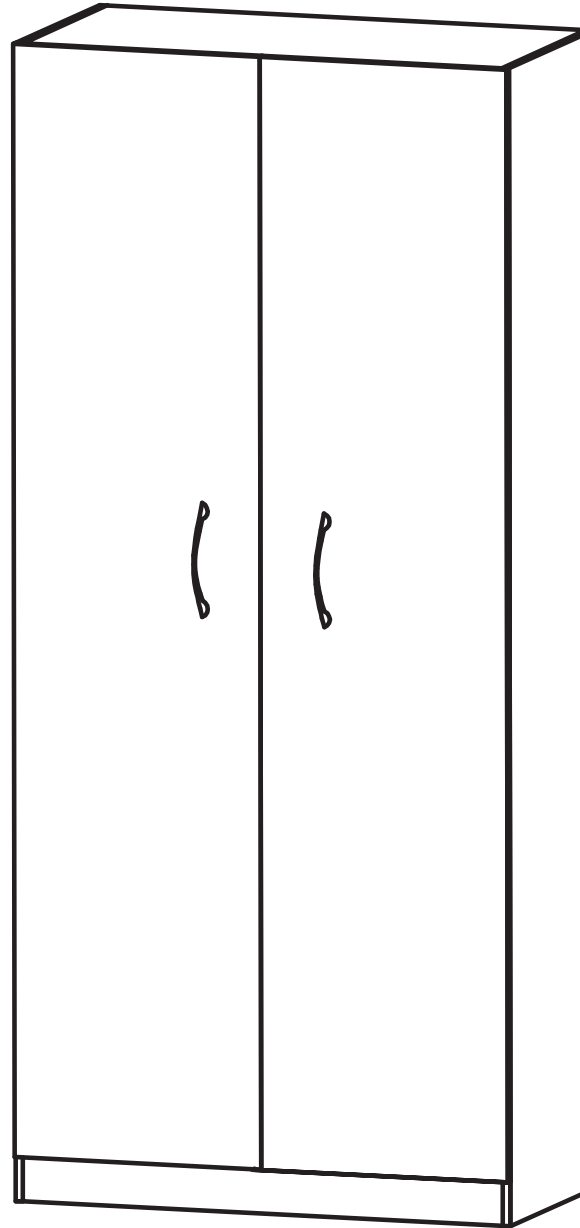
2 DOOR CUPBOARD ASSEMBLY GUIDE

IMPORTANT

Before commencing assembly:

- Read all instructions carefully.
- Hardware kit contains small parts; keep out of reach of children.
- Ensure all listed parts are present.
- Required tools to assemble:
Phillips head screwdriver,
drill and hammer.
- Assemble your cupboard on
a solid, clean, flat surface.
- Ensure all edged surfaces are
facing to the front of the unit.

Customer Service Enquiries:
customerservice@dovetail.com.au



⚠ WARNING



Children have died from furniture tipover.

- ALWAYS secure this furniture with an anchor device.
- NEVER allow children to stand, climb or hang on drawers, doors, or shelves.
- NEVER open more than one drawer at a time.
- Place heavy items down low.

NEVER put a TV on this furniture

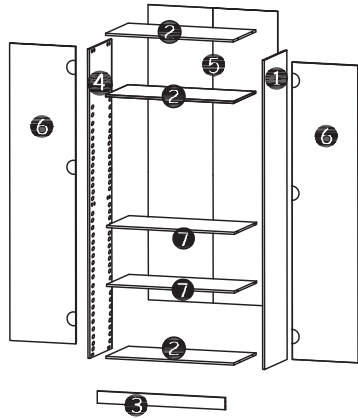
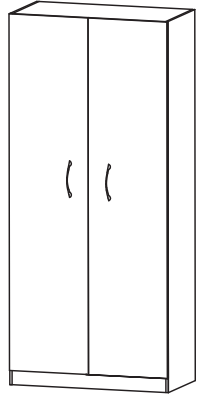


2 DOOR CUPBOARD ASSEMBLY GUIDE

CARE INSTRUCTIONS

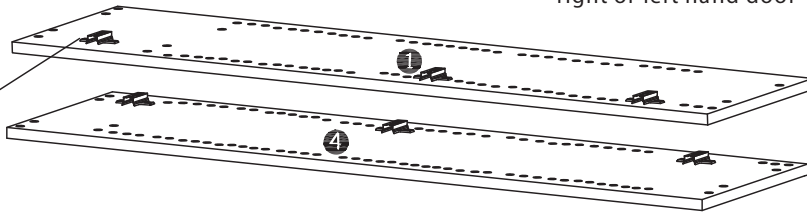
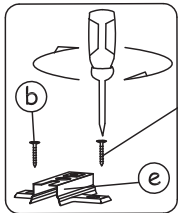
TO CLEAN USE SOFT, DRY CLOTH • DO NOT USE DETERGENT OR CHEMICALS • AVOID CONTACT WITH WATER AND DIRECT SUNLIGHT

- Each shelf is designed to take a maximum load of 18kg spread evenly across the shelf.
- To eliminate the shelf from bowing, it is recommended that the loose shelves are flipped over occasionally.

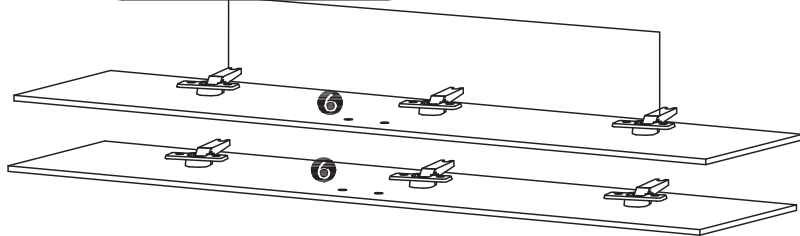
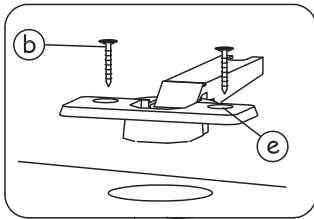


| | | | |
|---|-------------------|---|-------|
| a | | f | |
| | M5 x 40 MM x 12 | | x 8 |
| b | | g | |
| | M3.5 x 16 MM x 14 | | x 12 |
| c | | h | |
| | x 50 | | x 2 |
| d | | i | |
| | M8 x 32 MM | | 25 MM |
| | x 4 | | x 4 |
| e | | j | |
| | x 6 | | x 2 |

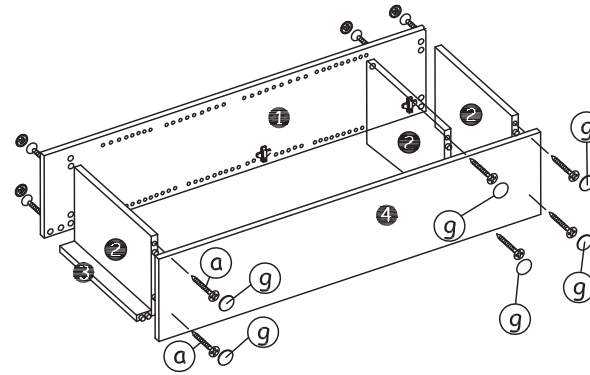
1



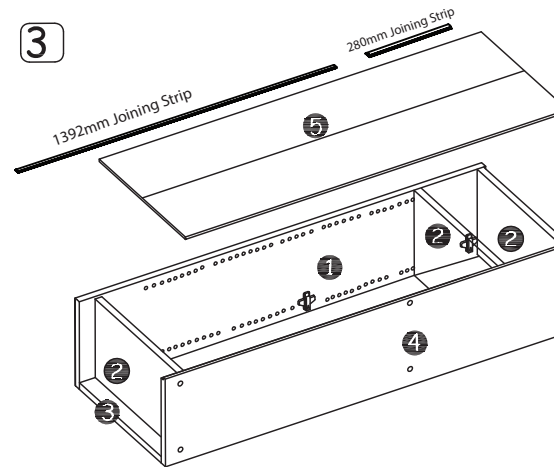
This door can be used as a right or left hand door



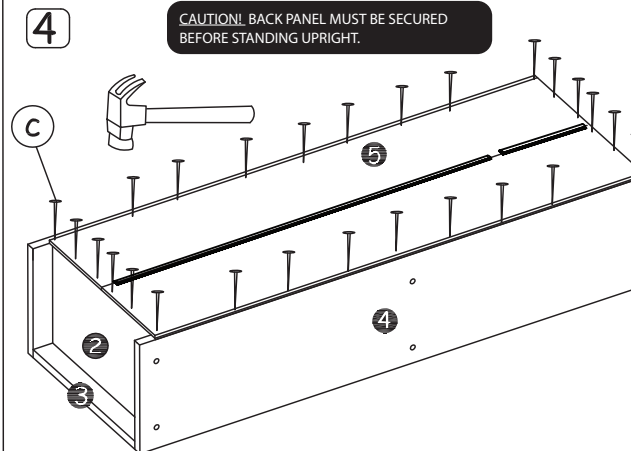
2



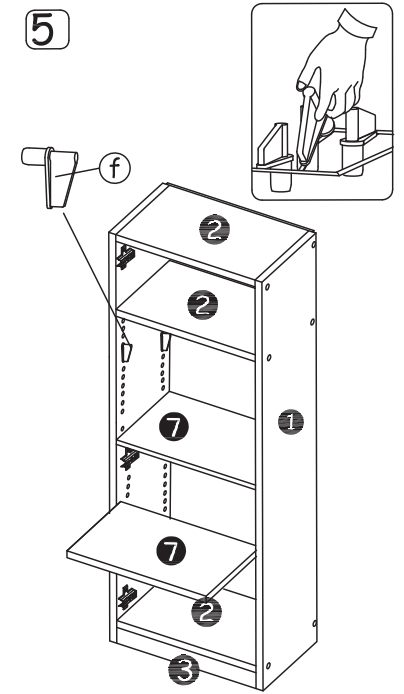
3



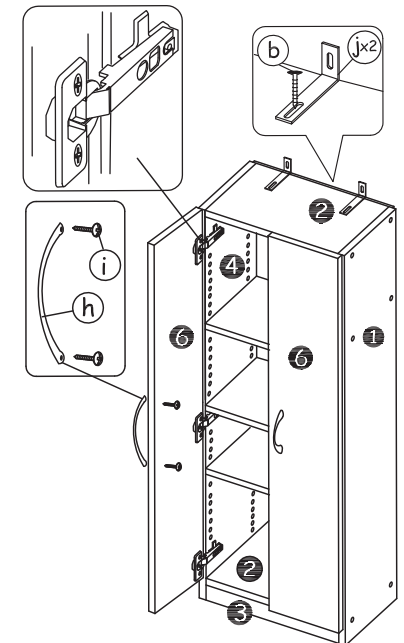
4



5



6



CAUTION! FOR SAFETY, PLEASE ENSURE CUPBOARD IS ATTACHED TO WALL USING WALL MOUNT TO AVOID TIPPING.