

AEG

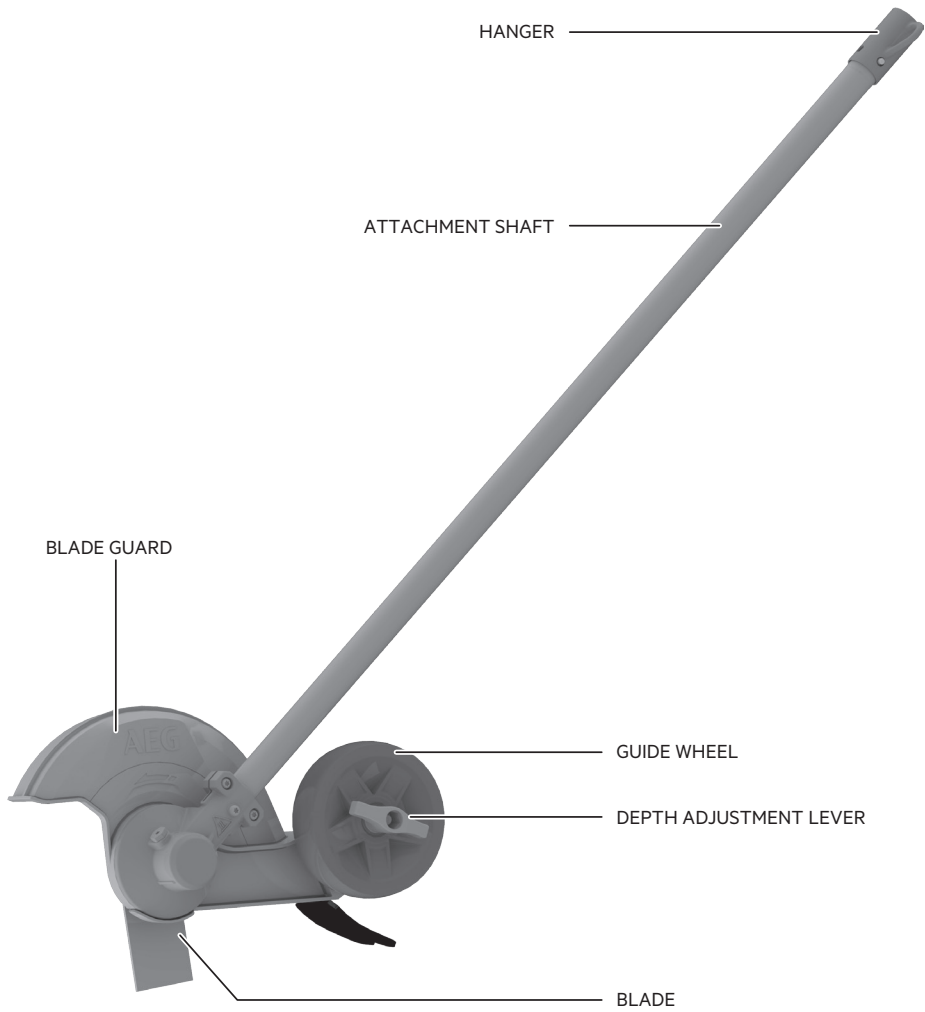
AEDG10

Original instructions

Important!

It is essential that you read the instructions in this manual before assembling, operating, and maintaining the product.

Subject to technical modifications.



HANGER

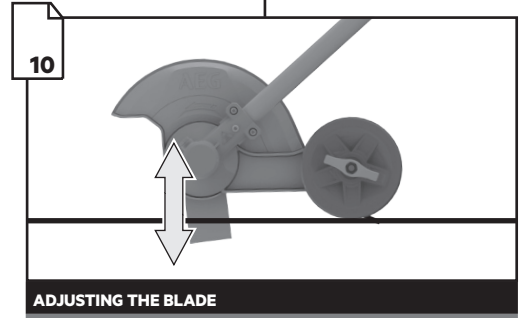
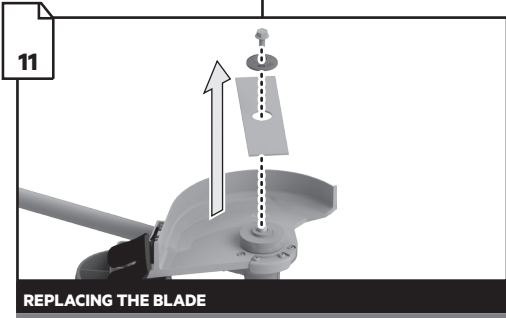
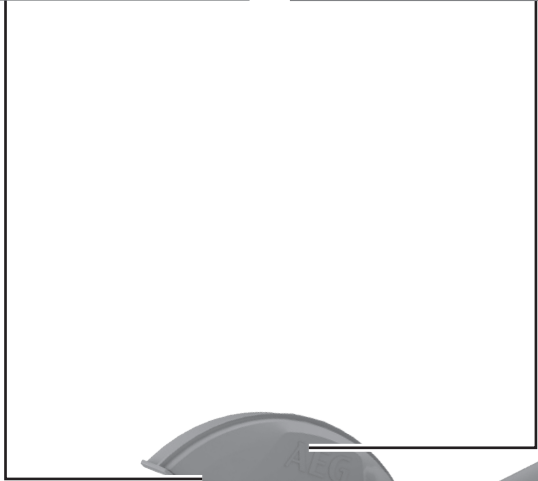
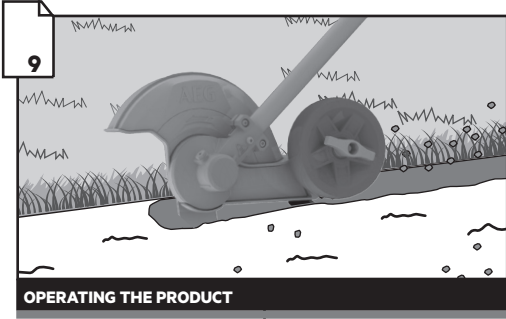
ATTACHMENT SHAFT

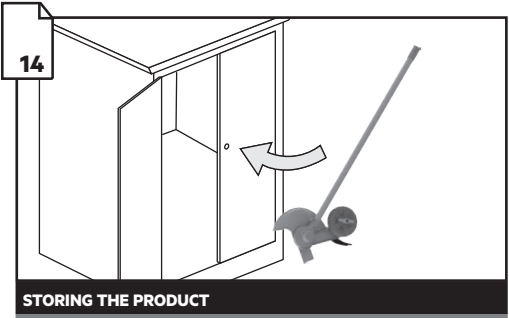
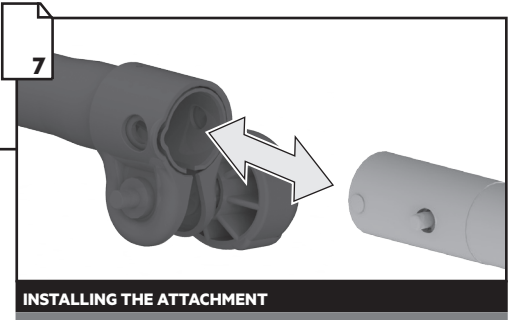
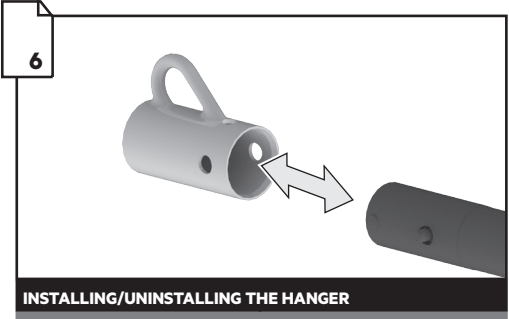
BLADE GUARD

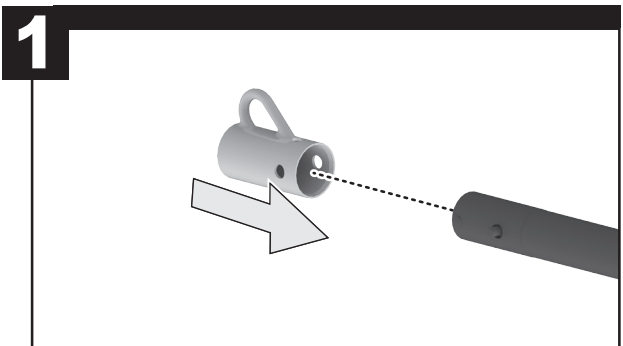
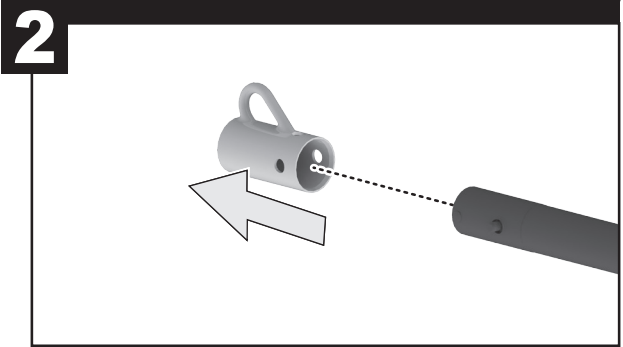
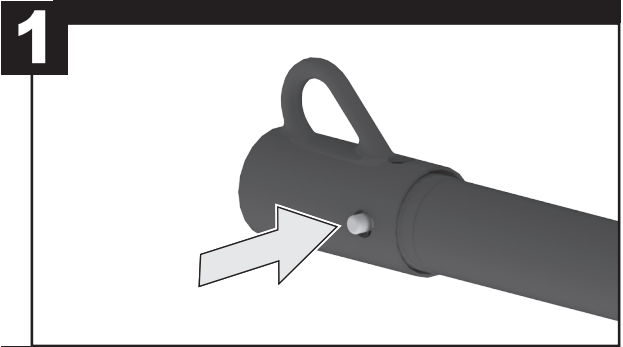
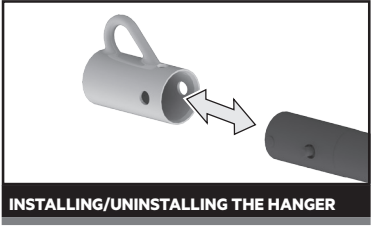
GUIDE WHEEL

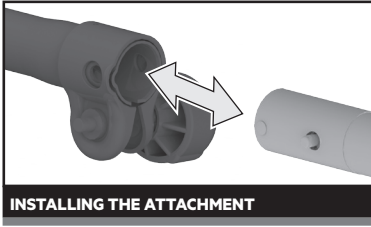
DEPTH ADJUSTMENT LEVER

BLADE

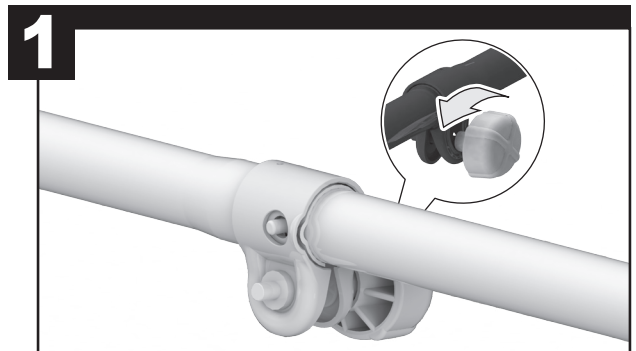
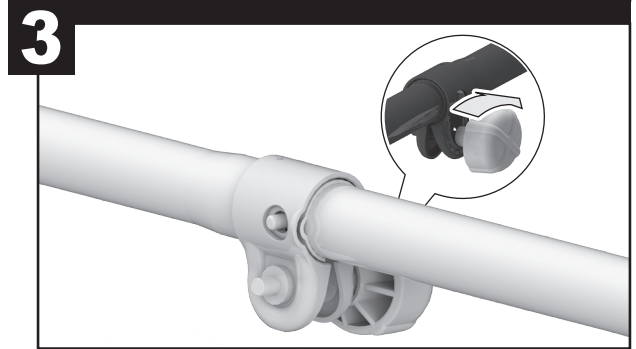
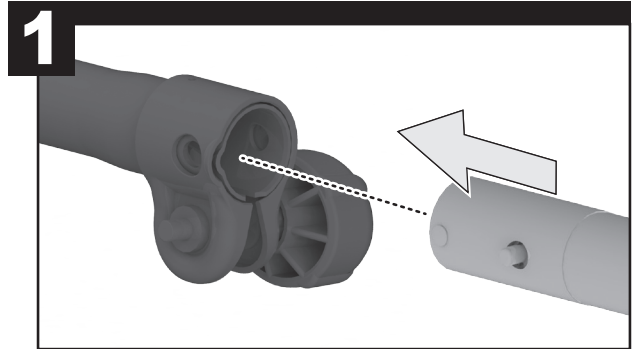




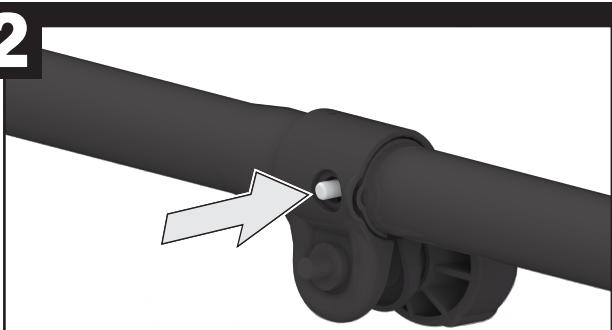




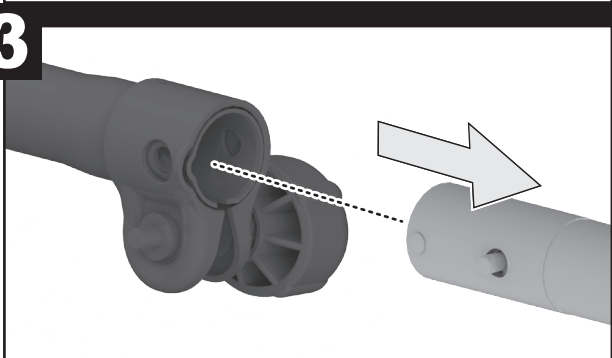
NOTE: Ensure that the inner shafts are seated together correctly to prevent damage and ensure normal function of the product. Always ensure that the location pin is correctly located in the guide hole.

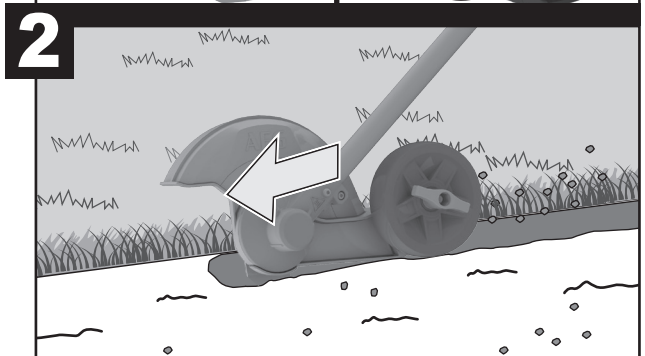
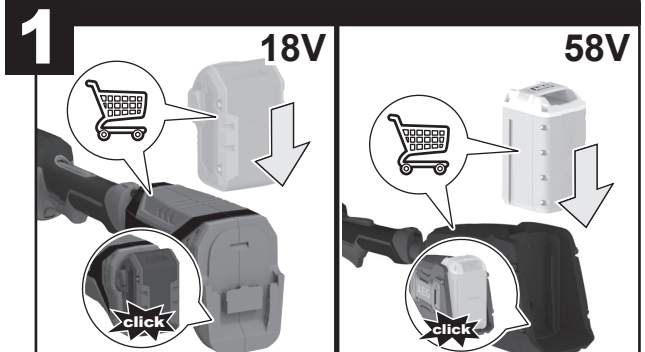
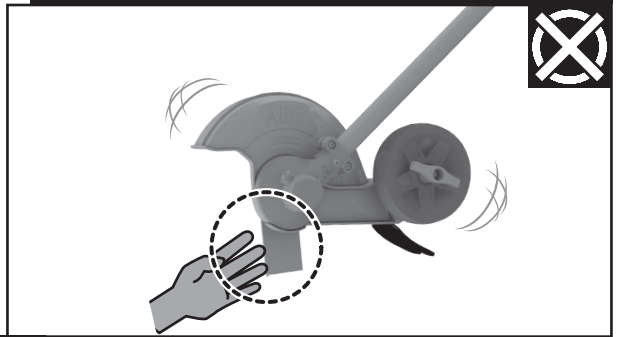
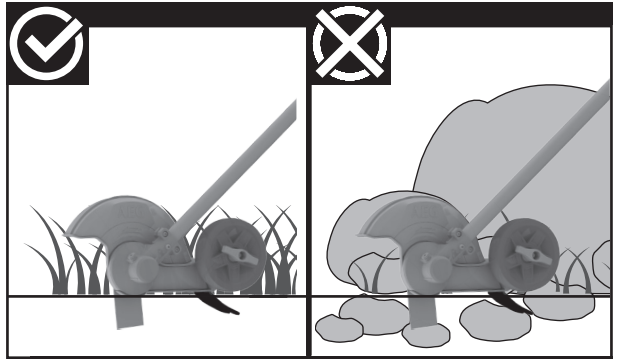
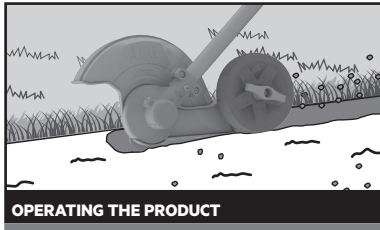


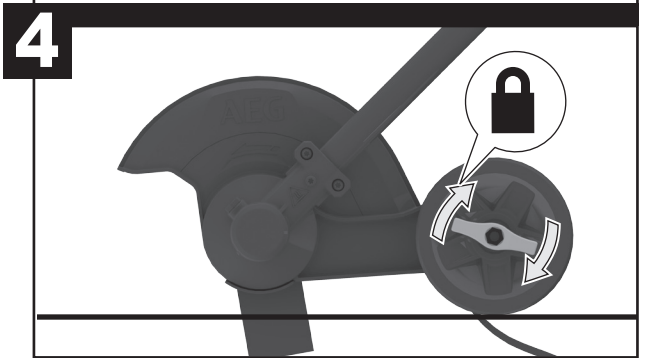
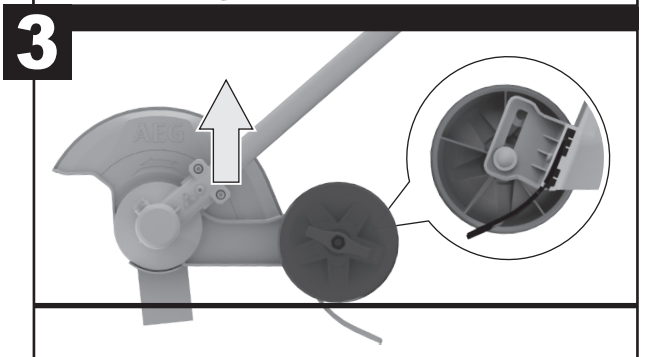
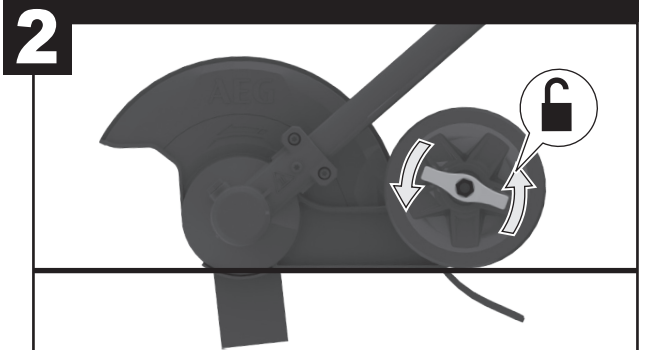
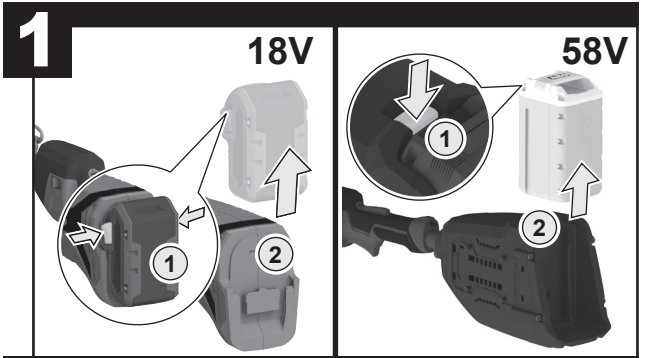
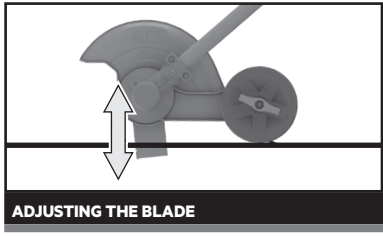
2

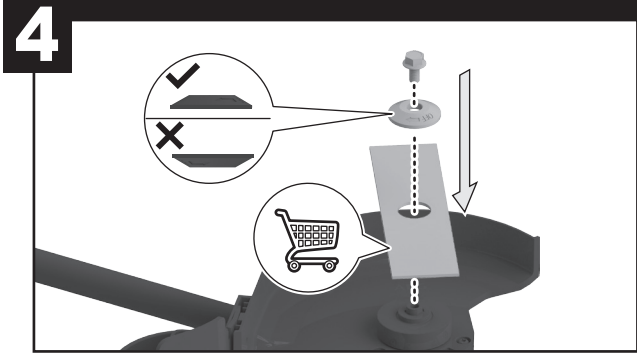
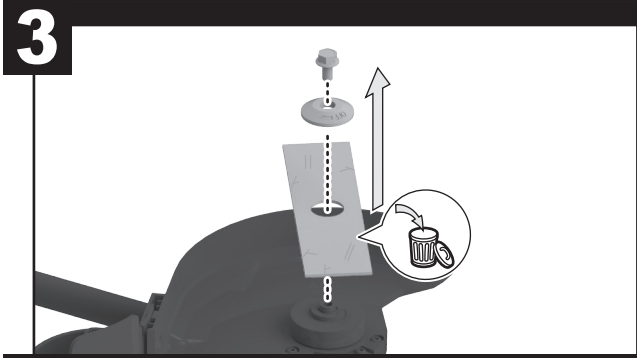
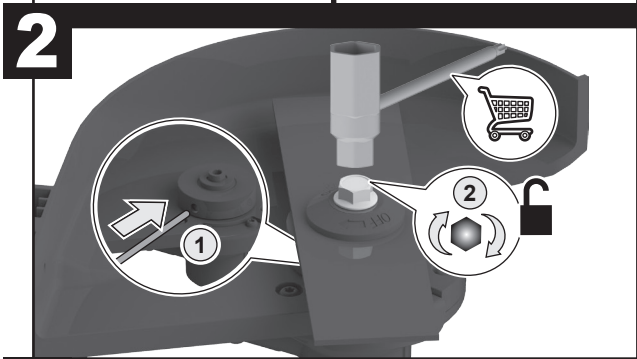
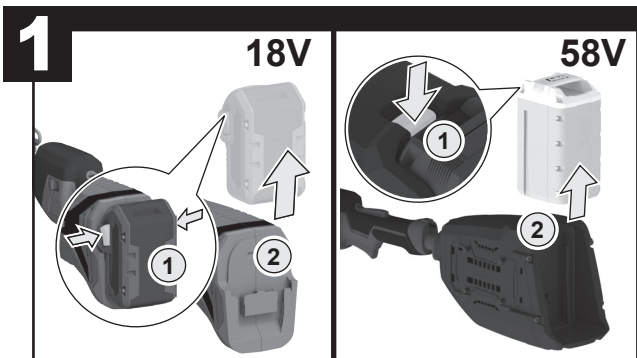
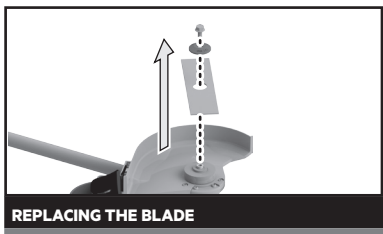


3

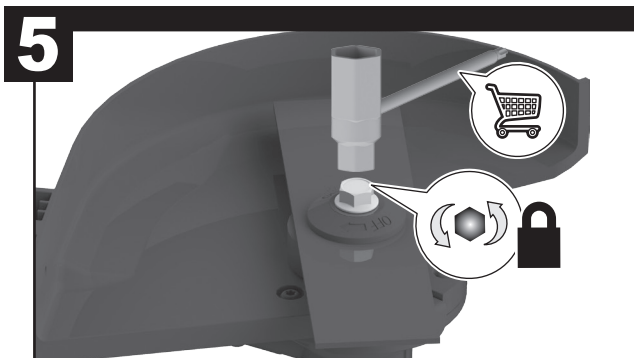


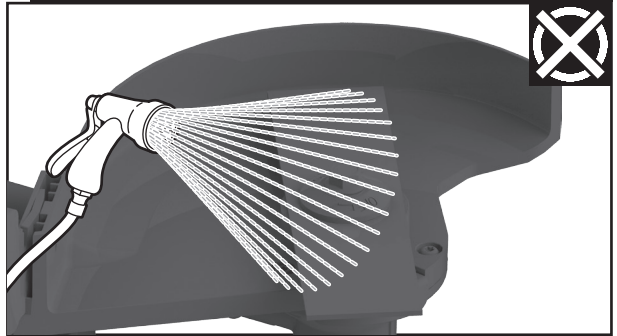
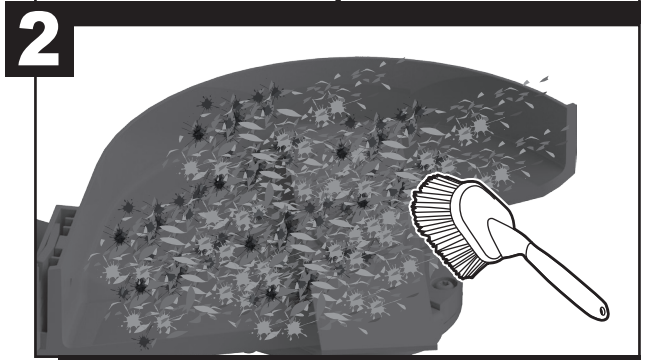
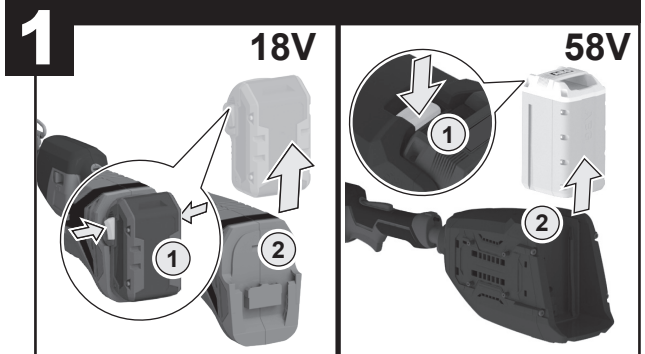


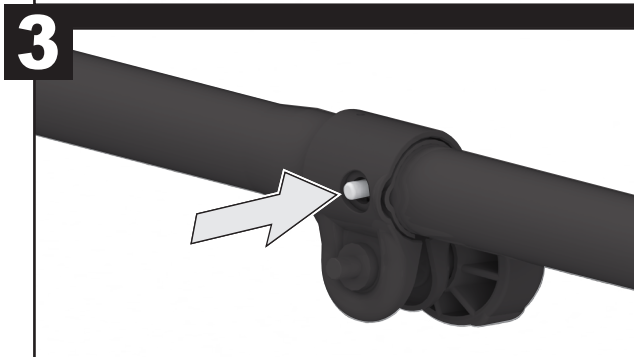
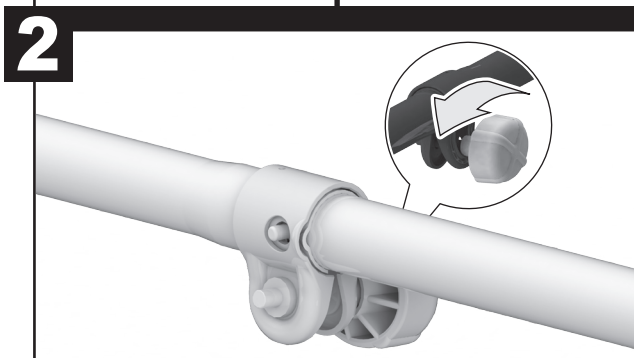
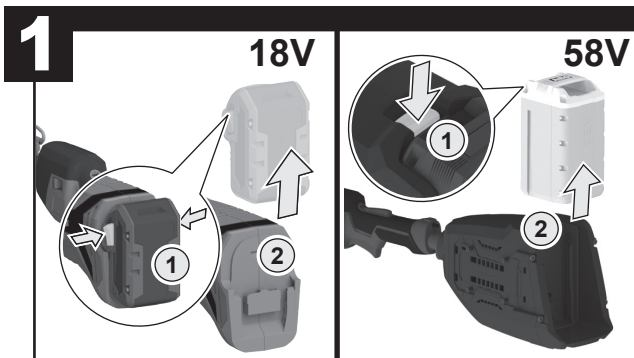
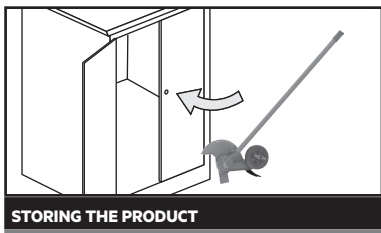




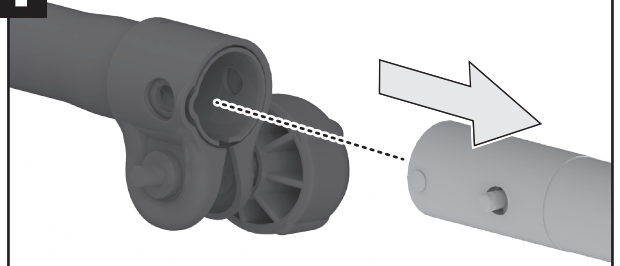
Blade torque: 13 - 15 Nm



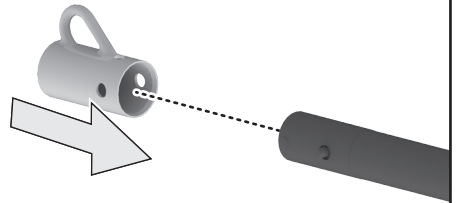




4



5

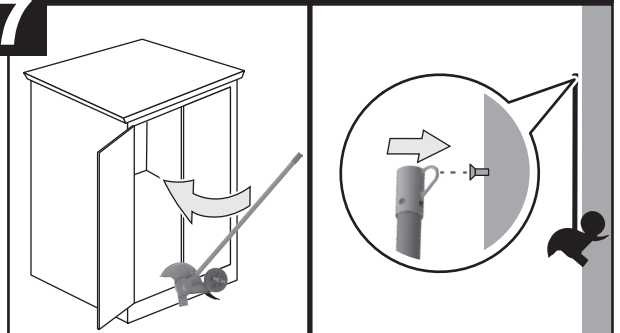


6



NOTE: Always store the tool in a cool, dry, well ventilated area.

7



**TECHNICAL DATA****EDGER ATTACHMENT****AEDG10**

Blade swath.....	204 mm
No load blade speed (58V AEG power head)	
High speed (maximum).....	4600 min ⁻¹
Low speed (maximum).....	4000 min ⁻¹
No load blade speed(18V AEG power head)	
High speed (maximum).....	4000 min ⁻¹
Low speed (maximum).....	3400 min ⁻¹
Cutting depth (maximum).....	31 mm
Weight.....	2.2 kg

Below values measured with power head PHALT58A that is the power head of model ALT58B and ALT58BT.

Noise emission values determined according to EN 62841-1:2015

A-weighted sound pressure level at the operator position.....	$L_{pA} = 81.7$ dB(A)
Uncertainty.....	$K = 3.0$ dB
A-weighted sound power level.....	$L_{WA} = 94.4$ dB(A)
Uncertainty.....	$K = 3.0$ dB
$L_{WA} + K_{WA}$	97 dB(A)

Vibration total values determined according to EN 62841-1:2015 & ISO 11789:1999

Front handle.....	$a_h = 8.2$ m/s ²
Rear handle.....	$a_h = 6.7$ m/s ²
Uncertainty.....	$K = 1.5$ m/s ²

Below values measured with power head PHALT18A that is the power head of model ALT18B.

Noise emission values determined according to EN 62841-1:2015

A-weighted sound pressure level at the operator position.....	$L_{pA} = 79.0$ dB(A)
Uncertainty.....	$K = 3.0$ dB
A-weighted sound power level.....	$L_{WA} = 93.1$ dB(A)
Uncertainty.....	$K = 3.0$ dB
$L_{WA} + K_{WA}$	96 dB(A)

Vibration total values determined according to EN 62841-1:2015 & ISO 11789:1999

Front handle.....	$a_h = 2.1$ m/s ²
Rear handle.....	$a_h = 3.0$ m/s ²
Uncertainty.....	$K = 1.5$ m/s ²

WARNING!

The vibration emission level given in this information sheet has been measured in accordance with a standardised test method and may be used to compare one tool with another. It may be used for a preliminary assessment of exposure.

The declared vibration emission level represents the main applications of the tool. However if the tool is used for different applications, with different accessories or poorly maintained, the vibration emission may differ. This may significantly increase the exposure level over the total working period.

An estimation of the level of exposure to vibration should also take into account the times when the tool is switched off or when it is running but not actually doing the job. This may significantly reduce the exposure level over the total working period.

Identify additional safety measures to protect the operator from the effects of vibration such as: maintain the tool and the accessories, keep the hands warm, organisation of work patterns.

REPLACEMENT PART

Blade.....	682294002
------------	-----------





INTENDED USE

The edger attachment is approved for use with 18V AEG ALT18B power head and 58V AEG ALT58B / ALT58BT power head.

The product is intended only for outdoor use in a well-ventilated area. For safety reasons, the product must be adequately controlled by a two-handed operation. The product is designed for home or domestic use.

The product is intended for edging along sidewalks, driveways, flower beds, and similar areas.

The product should not be used for cutting or chopping hedges, shrubs, bushes, flowers, and compost.

Do not use the product for any other purpose.

GENERAL SAFETY WARNINGS

⚠ WARNING! Read all safety warnings, instructions, illustrations and specifications provided with this power tool. Failure to follow all instructions listed below may result in electric shock, fire, and/or serious injury.

Save all warnings and instruction for future reference.

The term "power tool" in the warnings refers to your mains-operated (corded) product or battery-operated (cordless) product.

WORK AREA SAFETY

- **Keep work area clean and well lit.** Cluttered or dark areas invite accidents.
- **Do not operate power tools in explosive atmospheres, such as in the presence of flammable liquids, gases or dust.** Power tools create sparks which may ignite the dust or fumes.
- **Keep children and bystanders away while operating a power tool.** Distractions can cause you to lose control.

ELECTRICAL SAFETY

- **Power tool plugs must match the outlet. Never modify the plug in any way. Do not use any adapter plugs with earthed (grounded) power tools.** Unmodified plugs and matching outlets will reduce risk of electric shock.
- **Avoid body contact with earthed or grounded surfaces, such as pipes, radiators, ranges and refrigerators.** There is an increased risk of electric shock if your body is earthed or grounded.
- **Do not expose power tools to rain or wet conditions.** Water entering a power tool will increase the risk of electric shock.
- **Do not abuse the cord. Never use the cord for carrying, pulling or unplugging the power tool. Keep cord away from heat, oil, sharp edges or moving parts.** Damaged or entangled cords increase the risk of electric shock.
- **When operating a power tool outdoors, use an extension cord suitable for outdoor use.** Use of a cord suitable for outdoor use reduces the risk of electric shock.
- **If operating a power tool in a damp location is unavoidable, use a residual current device (RCD) protected supply.** Use of an RCD reduces the risk of electric shock.

PERSONAL SAFETY

- **Stay alert, watch what you are doing and use common sense when operating a power tool. Do not use a power tool while you are tired or under the influence of drugs, alcohol or medication.** A moment of inattention while operating power tools may result in serious personal injury.

- **Use personal protective equipment. Always wear eye protection.** Protective equipment such as a dust mask, non-skid safety shoes, hard hat or hearing protection used for appropriate conditions will reduce personal injuries.
- **Prevent unintentional starting. Ensure the switch is in the off-position before connecting to power source and/or battery pack, picking up or carrying the tool.** Carrying power tools with your finger on the switch or energising power tools that have the switch on invites accidents.
- **Remove any adjusting key or wrench before turning the power tool on.** A wrench or a key left attached to a rotating part of the power tool may result in personal injury.
- **Do not overreach. Keep proper footing and balance at all times.** This enables better control of the power tool in unexpected situations.
- **Dress properly. Do not wear loose clothing or jewellery. Keep your hair and clothing away from moving parts.** Loose clothes, jewellery or long hair can be caught in moving parts.
- **If devices are provided for the connection of dust extraction and collection facilities, ensure these are connected and properly used.** Use of dust collection can reduce dust-related hazards.
- **Do not let familiarity gained from frequent use of tools allow you to become complacent and ignore tool safety principles.** A careless action can cause severe injury within a fraction of a second.

POWER TOOL USE AND CARE

- **Do not force the power tool. Use the correct power tool for your application.** The correct power tool will do the job better and safer at the rate for which it was designed.
- **Do not use the power tool if the switch does not turn it on and off.** Any power tool that cannot be controlled with switch is dangerous and must be repaired.
- **Disconnect the plug from the power source and/or remove the battery pack, if detachable, from the power tool before making any adjustments, changing accessories, or storing power tools.** Such preventive safety measures reduce the risk of starting the power tool accidentally.
- **Store idle power tools out of the reach of children and do not allow persons unfamiliar with the power tool or these instructions to operate the power tool.** Power tools are dangerous in the hands of untrained users.
- **Maintain power tools and accessories. Check for misalignment or binding of moving parts, breakage of parts and any other condition that may affect the power tool's operation. If damaged, have the power tool repaired before use.** Many accidents are caused by poorly maintained power tools.
- **Keep cutting tools sharp and clean.** Properly maintained cutting tools with sharp cutting edges are less likely to bind and are easier to control.
- **Use the power tool, accessories and tool bits etc. in accordance with these instructions, taking into account the working conditions and the work to be performed.** Use of the power tool for operations different from those intended could result in a hazardous situation.





- **Keep handles and grasping surfaces dry, clean and free from oil and grease.** Slippery handles and grasping surfaces do not allow for safe handling and control of the tool in unexpected situations.

BATTERY TOOL USE AND CARE

- **Recharge only with the charger specified by the manufacturer.** A charger that is suitable for one type of battery pack may create a risk of fire when used with another battery pack.
- **Use power tools only with specifically designated battery packs.** Use of any other battery packs may create a risk of injury and fire.
- **When battery pack is not in use, keep it away from other metal objects, like paper clips, coins, keys, nails, screws or other small metal objects, that can make a connection from one terminal to another.** Shorting the battery terminals together may cause burns or a fire.
- **Under abusive conditions, liquid may be ejected from the battery; avoid contact. If contact accidentally occurs, flush with water. If liquid contacts eyes, additionally seek medical help.** Liquid ejected from the battery may cause irritation or burns.
- **Do not use a battery pack or tool that is damaged or modified.** Damaged or modified batteries may exhibit unpredictable behaviour resulting in fire, explosion or risk of injury.
- **Do not expose a battery pack or tool to fire or excessive temperature.** Exposure to fire or temperature above 130°C may cause explosion.
- **Follow all charging instructions and do not charge the battery pack or tool outside the temperature range specified in the instructions.** Charging improperly or at temperatures outside the specified range may damage the battery and increase the risk of fire.

SERVICE

- **Have your power tool serviced by a qualified repair person using only identical replacement parts.** This will ensure that safety of the power tool is maintained.
- **Never service damaged battery packs.** Service of battery packs should only be performed by the manufacturer or authorized service providers.

CORDLESS EDGER SAFETY WARNINGS

- When using the product, the safety rules must be followed. For your own safety and that of bystanders, read these instructions before operating the product. Keep the instructions safe for later use. Be familiar with the controls and the proper use of the product.
- The product is not intended to be used by children or persons with reduced physical, mental, or sensory capabilities. Children should be adequately supervised to ensure that they do not play with the product.
- Never allow children or people who are unfamiliar with these instructions to use the product. Local regulations may restrict the age of the operator.
- Never use the product while people, especially children, or pets are nearby.
- Keep bystanders, children, and pets 15 m away from the area of operation. Turn off the product if anyone enters the area.
- Keep in mind that the operator or user is responsible for accidents or hazards occurring to other people or their property.
- Wear heavy, long trousers, boots, and gloves. Do not wear loose-fitting clothing, short trousers, or jewellery of any kind. Do not use the product with bare feet. Always wear eye and ear protection.
- Consider the environment in which you are working. Keep the working area free from wires, sticks, stones, and debris, which if struck by the cutter can become thrown objects.
- Before use, always visually inspect the product to see that the blades, blade bolts, and cutter assembly are not worn or damaged. Replace worn or damaged blades and bolts in sets to preserve balance.
- Use only manufacturer-recommended replacement parts and accessories.
- Use the product in daylight or with good artificial light.
- Keep firm footing and balance at all times, and be sure of proper footing on slopes. Walk, never run.
- Use extreme caution when reversing or pulling the edger toward you.
- Make sure that the blade has stopped before crossing surfaces other than grass and when transporting the product to and from the area to be edged.
- Never operate the product with defective, missing, or incorrectly fitted guards.
- Turn on the product carefully according to instructions and with feet well away from the blades. Never stand or have any part of your body in line with the path of the edger blade.
- Do not start the product when a bystander is standing in front of the blades.
- Do not put hands or feet near or under rotating parts.
- To reduce the risk of injury associated with contacting moving parts, always turn off the product, remove the battery pack, and allow both to cool down. Make sure that all moving parts have come to a complete stop:
 - before servicing
 - before clearing a blockage
 - before checking, cleaning, and working on the product
 - before changing accessories
 - after striking a foreign object
 - Inspect the blades for damage, and make repairs before restarting and operating the product.
 - whenever leaving the product unattended
 - whenever performing maintenance
 - whenever the product starts to vibrate abnormally
 - Check the product immediately.
- Injuries may be caused, or aggravated, by prolonged use of a tool. When using any tool for prolonged periods, ensure that you take regular breaks.
- Operate the product only in temperatures between 0°C and 40°C.
- Store the product in a location where the ambient temperature is between 0°C and 40°C.





ADDITIONAL SAFETY WARNINGS

- Some regions have regulations that restrict the use of the product. Check with your local authority for advice.
- Avoid using the product in bad weather especially if there is a risk of lightning.
- Avoid using the product on wet grass.
- Hearing protection may restrict the operator's ability to hear warning sounds. Pay particular attention to potential hazards around and inside the working area.

ADDITIONAL BATTERY SAFETY WARNINGS

- To reduce the risk of fire, personal injury, and product damage due to a short circuit, never immerse the tool, battery pack, or charger in fluid or allow fluid to flow inside them. Corrosive or conductive fluids, such as seawater, certain industrial chemicals, and bleach or bleach-containing products, etc., can cause a short circuit.
- Charge the battery pack in a location where the ambient temperature is between 10°C and 38°C.
- Store the battery pack in a location where the ambient temperature is between 0°C and 40°C.
- Use the battery pack in a location where the ambient temperature is between 0°C and 40°C.

TRANSPORTATION AND STORAGE

- Turn off the product, remove the battery pack, and allow both to cool down before storing or transporting.
- Remove all foreign materials from the product.
- Check all nuts, bolts, and screws before each use and at frequent intervals for proper tightness to ensure that the product is in safe working condition. Any part that is damaged should be properly repaired or replaced by an authorised service centre.
- Do not store or transport the product with the battery pack installed. Remove the battery pack, and secure it separately. Store the product in a cool, dry, and well-ventilated place that is inaccessible to children. Keep the product away from corrosive agents, such as garden chemicals and de-icing salts. Do not store the product outdoors.
- For transportation in vehicles, secure the product against movement or falling to prevent injury to persons or damage to the product.

TRANSPORTING LITHIUM BATTERIES

- Transport the battery pack in accordance with local and national provisions and regulations.
- Follow all special requirements on packaging and labelling when transporting batteries by a third party. Ensure that no batteries can come in contact with other batteries or conductive materials while in transport by protecting exposed connectors with insulating, non-conductive caps or tape. Do not transport batteries that are cracked or leaking. Check with the forwarding company for further advice.

MAINTENANCE

- Use only original manufacturer's replacement parts, accessories, and attachments. Failure to do so can cause possible injury, can contribute to poor performance, and may void your warranty.

- Servicing requires extreme care and knowledge and should be performed only by a qualified service technician. Have the product serviced by an authorised service centre only. When servicing, use only original replacement parts.
- Turn off the product and remove the battery pack before conducting any maintenance or cleaning work.
- You may make adjustments and repairs described in this manual. For other repairs, contact an authorised service centre.
- After each use, clean the product with a soft, dry cloth. Any part that is damaged should be properly repaired or replaced by an authorised service centre.
- Check all nuts, bolts, and screws before each use and at frequent intervals for proper tightness to ensure that the product is in safe working condition. Any part that is damaged should be properly repaired or replaced by an authorised service centre.
- Bring the product to an authorised service centre to replace damaged or unreadable labels.

SYMBOLS



Read and understand all instructions before operating the product. Follow all warnings and safety instructions.



Regulatory Compliance Mark (RCM). Product meets applicable regulatory requirements.



Wear eye and ear protection.



Direction of edger blade rotation



Keep feet away from rotating blade.



Do not expose the product to rain or damp conditions.



Beware of thrown or flying objects. Keep all bystanders, especially children and pets, at least 15 m away from the operating area.



Keep hands away from the cut-off blade.



Waste electrical products should not be disposed of with household waste. Please recycle where facilities exist. Check with your local authority or retailer for recycling advice.



Guaranteed sound power level



f
r
r.
r.
d
e
f

t
o
d

r
r
s
d

y

h
f
t

g
d
e

e

a
t

d

e



AEG

www.aegpowertools.com.au
www.aegpowertools.co.nz

Techtronic Industries Australia Pty Ltd

31 Gilby Road, Mount Waverley,
VIC, 3149, Australia

Techtronic Industries N.Z. Limited

Unit C, 70 Business Parade South,
Highbrook, Auckland 2013, New Zealand

961476027-02

*AEG is a registered trade mark used under
license from AB Electrolux (publ).*