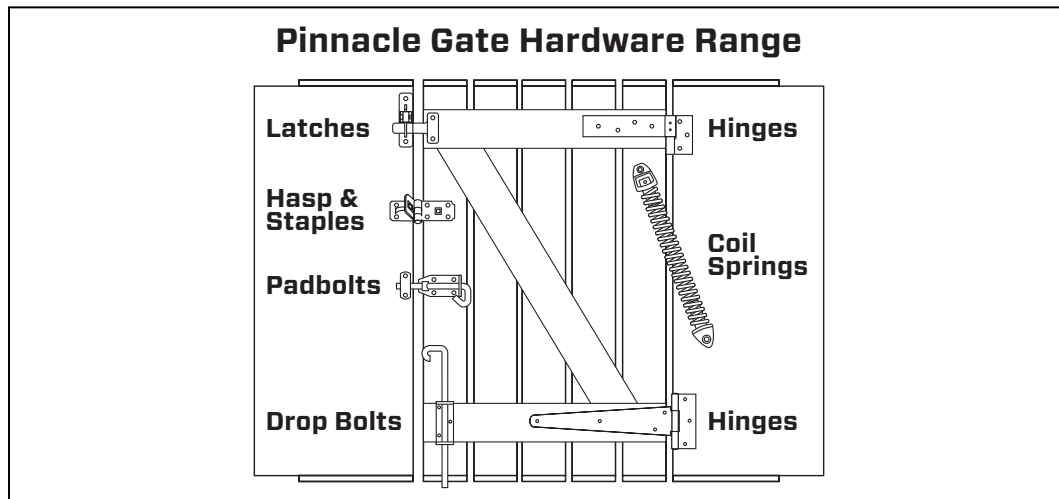
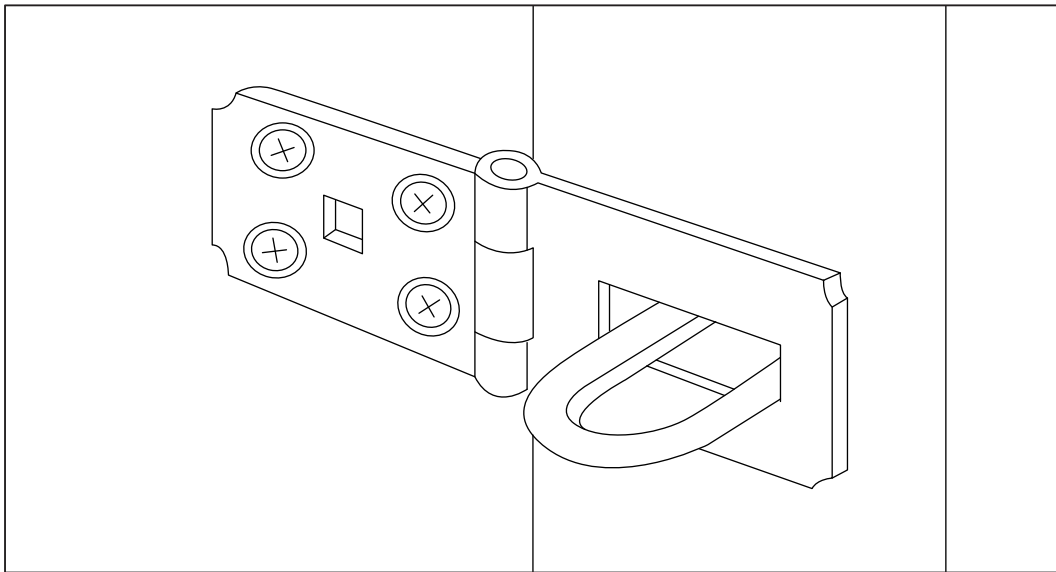


# 185mm | Heavy Duty Hasp & Staple




**Tools required:** Pencil, No.2 Phillips screwdriver, drill and 4.5mm and 8.5mm drill bit.

## Installation instructions:

1. Place hasp and staple in location to ensure that it functions as intended.
2. Mark holes for screws then drill 4.5mm pilot holes (8.5mm pilot hole for security bolt).  
Fasten with screws. Please ensure you do not overtighten as this is not recommended.



## Corrosion Protection Chart

Finish:	Rating:
Stainless Steel	Ultimate 
Galvanised	High 
Zinc Plated	Moderate 

Suitable for model no: GHS057.

CONNECT WITH US!  
[PINNACLE.NET.AU](http://PINNACLE.NET.AU)

