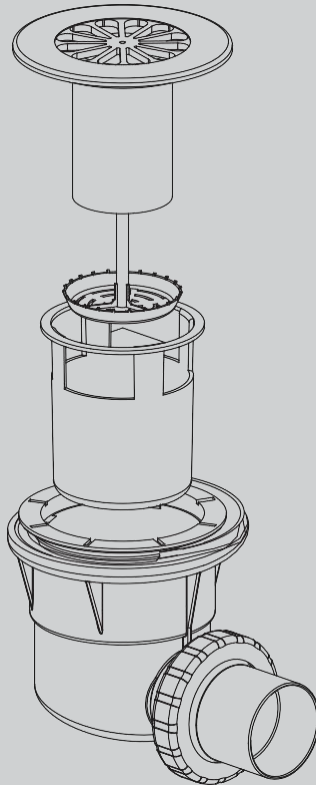


STEIN

EASYCLEAN WASTE

INSTRUCTION MANUAL



AUG 2023

IMPORTANT!

1. When you receive your Stein Easyclean Waste, please check for any freight damage.
2. If damage has occurred advise your supplier within 8 hours.
3. Do not install any faulty product as this will invalidate later claims.

PLEASE READ CAREFULLY BEFORE COMMENCING INSTALLATION

GENERAL INFORMATION

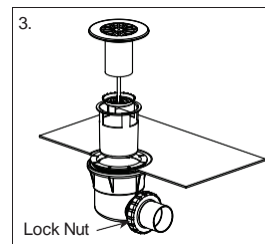
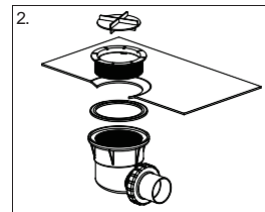
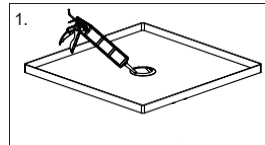
Thank you for choosing Stein Easyclean Waste. We endeavour to ensure that this product reaches you in optimum condition. However, if damage has occurred please advise your supplier immediately and do not proceed with installation. Damage reported after installation will void warranty.

IMPORTANT

- We recommend that Stein Easyclean Waste is installed by a licensed plumber to ensure compliance with the New Zealand building code.
- It is essential that a watertight seal under the base ring is achieved using a neutral cure silicone with adhesion to rubber plastic.
- Failure to comply with Installation Instructions and Aftercare and Maintenance will void warranty.

INSTALLATION INSTRUCTIONS

1. Apply the silicone sealant to top of the shower tray waste hole rim.
2. Assemble the inner ring and the base to the shower tray ensuring the rubber seal is in place in the underside. Use the installation tool to hand tighten the unit in place.
(NOTE: Do not use excessive force because this will cause distortion of the unit and seal). Remove excess silicone and clean.
3. Remove the installation tool and replace the inner cup rotating the lid and strainer assembly down into position.
4. Ensure Lock Nut is tight when assembled to piping.



AFTERCARE AND MAINTENANCE

Frequently remove the sieve and inner cup. Clean out the waste trap with soap or light detergent and water. Do not use any solvent, organic based or abrasive type cleaners.

CONTACT

STEIN

Freephone: 0800 002 299

Phone: 07 928 9990

Email: sales@stein.co.nz

stein.nz