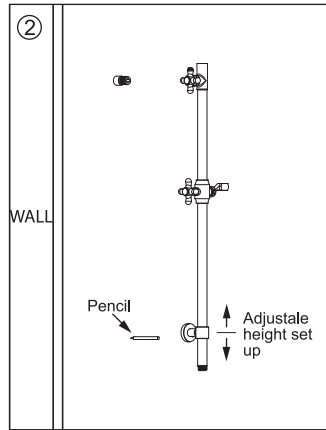
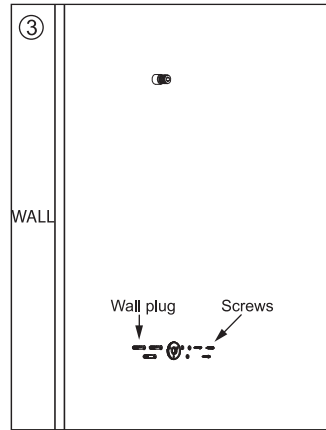


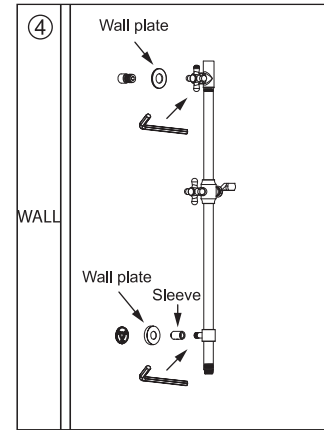
Apply thread seal tape before installing the 1/2" BSP Nipple Connection. The spanner drive must be closest to the wall and finish flush. Mark out the bottom mounting bracket's fixing location on the wall as shown in the diagram above.



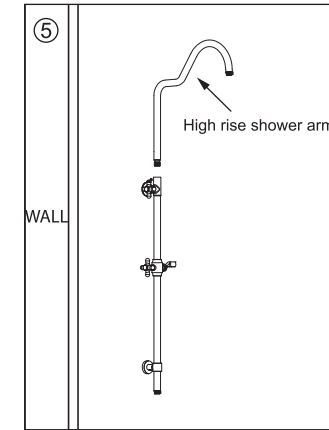
Ensure the exposed shower rail will fit correctly on the BSP nipple connection and the bottom mounting location.



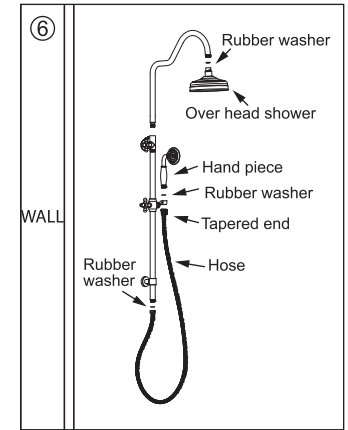
Install the bottom mounting bracket onto the wall using the wall plugs and screws provided. Ensure that an appropriate drill bit is used to suit the wall (e.g., masonry bit for tiles)



Screw bottom plate onto bottom mounting bracket. Screw bottom sleeve onto bottom mounting bracket. Install the exposed shower rail onto the 2 exposed wall fixing points. Lock rail into position using the grub screws and Allen Key provided.



Insert the high rise shower arm onto the exposed spigot. Ensure that the 2 rubber seals are fully engaged. Lock into position with the hand tighten locking nut. If a good seal is not achieved you can nip it up with a suitable tool, but take care to protect the chrome from the tool being used.



Connect the hose to the bottom of the exposed rail and to the hand piece using the provided rubber washers. Connect the overhead shower to the high rise shower arm using the provided rubber washers.

### IMPORTANT SCOPE OF USE

- Thoroughly inspect all parts for defects or damage prior to installation. Warranty claims will be void if product is installed with pre-existing defects.
- This product has been designed to operate as an indoor shower set and has been manufactured and certified to the requirements of AS/NZS 3662.
- This product should be installed by a licensed plumber in accordance with AS/NZS 3500 and any other local, state and national building codes and regulations. Check these regulations before attempting any DIY work.
- This product may not be suitable for gravity fed water systems, tank water systems or bore water systems.
- This product has been designed for a 1/2" BSP connection.
- All pipework must be thoroughly flushed after installation, as foreign materials are often left in pipes during installation that may hinder the products performance and/or cause damage.
- Operating specifications - High pressure: min 150 kPa - max 500 kPa. Temperature: min 2 °C - max 50°C.
- Care and maintenance - Clean with a soft cloth and warm soapy water. Do not use harsh detergents, corrosive chemicals, or abrasive cleaners.

**NOTE:** As per AS/NZS 3500.1 2015 (clause 3.3.4) on new installation, the maximum operating pressure at any outlet within a building must not exceed 500 kPa.

### CARE AND MAINTENANCE

- Under no circumstances should you install tapware or showers using acetone silicones.
- Never use harsh detergents or abrasive cleaners, as these will scratch the surface. Using a soft dry cloth or a soft cloth with warm soapy water is recommended.
- Where the tapware/shower remains dry in use, a soft cloth can be used to remove surface dust. Alternatively, a wipe over with warm soapy water is all that is required to maintain the finish in perfect condition for a lifetime of use.
- Use of wax based furniture cream should be avoided as these can result in a build up of deposits, which could detract from the appearance.
- Do not use undue pressure and wipe in one direction only.