

click®

40CM PEDESTAL FAN

WITH REMOTE CONTROL



INSTRUCTION MANUAL

ITEM NUMBER:0593782

Important Safeguards

When using electrical appliances, basic precautions should always be followed to reduce the risk of fire, electric shock and injury to persons, including the following:

For Your Safety

Read all instructions carefully, even if you are quite familiar with the appliance.

- To prevent fire or shock hazard, do not expose this appliance to rain or moisture.
- Dangerous high voltages are present inside this enclosure. To avoid electric shock, Do not open the cabinet. Refer servicing to qualified personnel only.
- This appliance is intended for indoor use only and not for commercial, industrial or outdoor use. Other use not recommended may cause fire, electric shock or injury.
- To protect against fire, electrical shock and injury to persons, do not immerse the unit, plug or cord in water or spray it with liquids.
- The apparatus shall not be exposed to dripping or splashing. Do not place the fan close to an open window. Rain splashing on the fan could cause an electric shock hazard.
- Ventilation should not be impeded by covering the ventilation openings. Slots and opening are provided for ventilation to ensure reliable operation of the product and to protect it from overheating.
- Place the fan on a stable level surface when operating to avoid overturning.
- Only connect to a suitably AC 220-240V~50Hz mains socket.
- Do not operate the fan in the presence of explosive and/ or flammable fumes. Do not place the fan or any parts near an open flame, cooking or other heating appliance. Never install the unit where it could be subject to mechanical vibration/shock or excessive dust.
- Do not use fan near curtains, plants, window furnishings, or where other objects can become caught in the blades. Do not let the power cord hang over the edge of a table or counter or let it touch any hot surfaces.
- This appliance is not intended for use by persons (including children) with reduced physical, sensory or mental capabilities, or lack of experience and knowledge, unless they have been given supervision or instruction concerning use of the appliance by a person responsible for their safety.
- Children should be supervised to ensure that they do not play with the appliance.
- Do not leave the appliance running or operable in a place where young children or animals could have access to it without supervision.
- Turn the fan off and unplug it from the outlet when it is not in use, when moving fan from one location to another and before cleaning.
- To disconnect, grip the plug and pull it from the wall outlet. Never pull by the cord.
- Do not operate the fan with a damaged cord or plug, after a malfunction or if it is dropped or damaged in any manner.
- Do not attempt to repair, disassemble or modify the appliance. There are no user- serviceable parts inside.

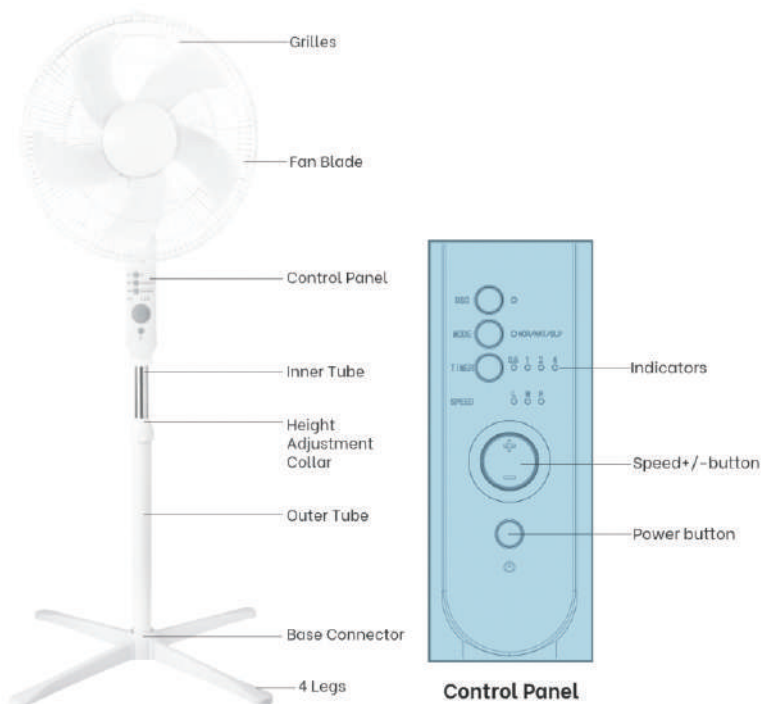
Warning:

- **Avoid contact with moving parts. Do not insert fingers or allow foreign objects to enter the grille openings as this may cause damage to the appliance and/or injury to the user.**
- **Do not use the fan without fully assembled. The fan must operate standing upright.**

- Do not operate without the fan grilles properly in place. Do not use the fan if grille becomes deformed, damaged or loosen to avoid injury to persons.
- If the supply cord is damaged, it must be replaced by the manufacturer, its service agent, or similarly qualified persons in order to avoid a hazard.

Save These Instructions

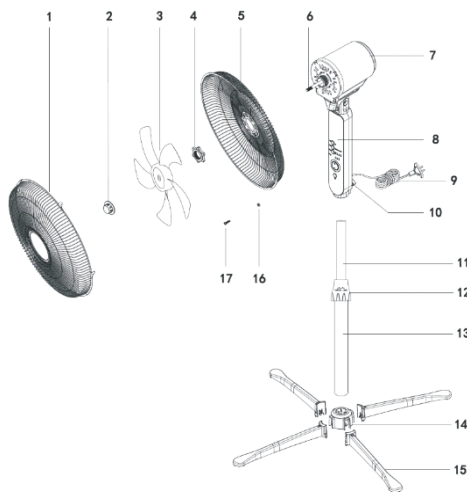
Features of Your The Pedestal Fan Remote Control



Operation of functions is the same when using the buttons on remote control or the control panel.

Assemble The Clip and Desk Fan

1. Front Grille
2. Blade Cap
3. Fan Blade
4. Rear Grille Mounting Nut
5. Rear Grille
6. Motor Shaft
7. Motor Housing
8. Control Box
9. Power Cord
10. Set Screw
11. Inner Tube
12. Height Adjustment Collar
13. Outer Tube
14. Base Connector
15. Legs
16. Safety Nut
17. Safety Screw



Remove all packing material and accessories. Make sure all the accessories are included, if any item is damaged or missing, contact your dealer.

A. ASSEMBLY OF STAND BASE

1. Inner Tube and Outer Tube are pre-assembled. Align the groove on Outer Tube with the unlock mark on Base connector, insert the Outer Tube into the Base connector and rotate to secure it in place.
2. The legs are designed to fit into the grooves on the underside of the Base Connector. Assemble and secure all the legs onto the Base Connector until the lock button snaps into place.
3. Loosen the Hight Adjustment Collar and pull the Inner Tube slightly out from the Outer Tube. Adjust the inner tube to the desired height and tighten the collar to lock.
4. Slightly loosen the Set Screw by turning it anticlockwise, but do not remove. Slide the Control Box down over the Inner Tube and tighten the Set Screw. Make sure the set screw is secured tightly.

B. ASSEMBLY OF BLADE AND GRILLE

1. Unscrew the Rear Grille Mounting Nut from the front of the motor housing by rotating it anticlockwise.
2. Place the Rear Grille onto the Motor Housing with the handle facing up, ensuring that the locating pegs on the Motor Housing are engaged correctly in the 2 small oval holes of the rear Grille.
3. Tighten the Rear Grille Mounting Nut clockwise. **DO NOT OVERTIGHTEN IT.**
4. Push the Fan Blade onto the motor shaft, locating the slot at the back of the blade on the drive pin that passes through the motor shaft.

5. Tighten the Blade Cap by turning it anticlockwise (i.e. normal unscrewing motion).
 6. Open the Grille retaining clips and position the Front Grille against the Rear Grille so that the holes in the rims for the small Safety Screw and Nut are in line. Insert the screw through the holes from the front of the Grille and screw on the nut at the rear. Do not fully tighten at this stage.
 7. Push the Grille retaining clips into position ensuring that they engage correctly on the rim of the Grille.
 8. Fully tighten the safety screw and nut that passes through the rim of the Grille.
- CAUTION: Ensure the product is fully assembled with base and grilles before plugging it into an electrical outlet. The pedestal fan can be used upright only.

C. INSERT BATTERIES INTO THE REMOTE CONTROL

1. Press down battery cover on the back of the remote control and slide to remove the cover.
2. Insert two new AAA 1.5V alkaline batteries align with polarity indicator markings (+/-) inside the battery compartment.
3. Reattach the battery cover, making sure the locking tabs click into place.

WARNINGS:

- Keep batteries out of children's reach.
- Use only alkaline batteries. Do not use rechargeable batteries.
- Do not use old and new or different types of batteries in combination. Do not use the remote if the batteries have leaked.
- Remove the batteries if they are discharged or if the remote control is not being used for a long period of time. Dispose of used batteries immediately.
- Battery must be recycled or disposed of properly. Do not dispose of battery in a fire, oven or near any flammable object as this may cause an explosion. Do not dispose of battery in regular trash, municipal waste stream or by fire as battery may leak or explode.

Operation

- 1) Place your fan on a level and dry surface keeping in mind the safety precautions outlined.
- 2) Plug the fan in to a suitable AC 220-240V~50Hz mains socket.
- 3) Press Power button to turn on/off the unit. Default setting is normal mode with low fan speed. On subsequent operations the fan will start at the last selected fan speed. Further operation can be performed by pressing the Speed, Mode, OSC and Timer buttons. The LED indicator on the control panel will be illuminated according to your selection.
- 4) Press Speed button on remote control or Speed +/- button on control panel repeatedly to select the desired speed setting. There are 3 settings – LOW, MED and HIGH. The corresponding fan speed indicator will be illuminated.
- 5) This Fan is equipped with a 7.5-hour timer. This enables you to preset the fan to switch off automatically with a delay of up to 7.5 hours. Press the Timer button repeatedly to set the timer off function between 0.5 and 7.5 hours in 0.5h increments. The Timer Indicators on the control panel are marked with 0.5H, 1H, 2H, and 4H. The sum of the lit time indicators is the preset timer. If you wish the appliance to run continuously, ensure the timer is deactivated (no Timer Indicator is lit). When the set time has elapsed, the fan will turn off automatically.

6) Press the Mode button to choose the desired mode: Normal, Natural or Sleep. The LED indicator will illuminate in Natural (Red) or Sleep (Green) mode.

- Normal: In this mode the fan operates at a constant speed. No LED indicator will illuminate while in Normal mode.
- Natural: In this mode the fan simulates a natural breeze mode by cycling on and off, as in nature. The LED indicator will light red.
- Sleep: In this mode the fan automatically reduces fan speed by one increment every half hour until the lowest speed is reached which is suitable for night-time use. The LED indicator will light green.

7) Press OSC button to start or stop the fan oscillation.

8) To adjust the tilt angle of fan head, hold the motor housing and gently swivel the fan grille to the desired angle.

Caution: The fan should always be switched off when making this adjustment.

9) Press Power button to turn the fan off and unplug it from the mains outlet after use.

Technical specifications

Power Supply: AC 220-240V~ 50Hz

Power Consumption: 45W

Operation Temperature: 5 - 40°C

NOTE: As a result of continual improvements, the design and specifications of the product within may differ slightly to the unit illustrated on the packaging.

Care and Cleaning

- Always disconnect the fan from mains outlet before cleaning.
- Avoid contact with moving fan parts.
- Use only a soft damp cloth to clean the fan.
- Do not immerse the fan in water and never allow water to drip into the motor housing.
- Never spray the appliance with liquids or submerge it in water or other liquid.
- Do not use gasoline, paint thinner or other chemicals to clean the fan.
- Ensure that the fan is switched off from the mains outlet before removing.
- Clean the fan blade and grilles with a soft damp cloth.
- Store the fan in its original box or cover the fan to protect it from dust in a dry place if it will not be used for a long period of time.

DISPOSAL

Do not dispose of packaging or the product through your household waste!

The product and packaging are made from recyclable materials (plastics, metals, paper).

If the product is no longer suitable for use dispose of it in an environmentally friendly manner in accordance with your local council.

WARRANTY CONDITIONS FOR PURCHASE IN AUSTRALIA & NEW ZEALAND

Thank you for purchasing one of our quality Click products. Please keep your receipt as proof of purchase, as this will authenticate your warranty. Any claim under this warranty must be made within 1 year of the date of purchase of the product. To make a claim under the warranty, take the product (with proof of purchase) to any Bunnings store(see www.bunnings.com.au for store locations).

Bunnings Group Ltd bears reasonable, direct expenses of claiming under the warranty. You may submit details and proof for consideration. The warranty covers manufacturer defects in materials, workmanship and finish under normal use. This warranty is provided in addition to other rights and remedies you may have under law: our goods come with guarantees which cannot be excluded under the Australian Consumer Law or the Consumer Guarantees Act(NZ). You are entitled to replacement or refund for a major failure and to compensation for other reasonably foreseeable loss or damage. You are also entitled to have the goods repaired or replaced if the goods fail to be of acceptable quality and the failure does not amount to a major failure. The warranty excludes damage resulting from product misuse or product neglect. The warranty covers domestic use only and does not apply to commercial applications. neglect. The warranty covers domestic use only and does not apply to commercial applications.

This warranty is given by Bunnings Group Limited.

ABN 26 008 672 179, Botanica 3, Level 2 East Tower 570 Swan Street, Burnley, VIC 3121,

e-mail: CustomerSupport@bunnings.com.au, PH: 1800 797 586.

Bunnings NZ Limited: PO Box 14436, Panmure Auckland 1741,

email: OnlineEnquiries@bunnings.co.nz PH: 1800 797 586

