

RECOMMENDED WORKING PRESSURE:
150–500 kPa

MAX HOT WATER TEMPERATURE:
75°C

BEFORE YOU BEGIN

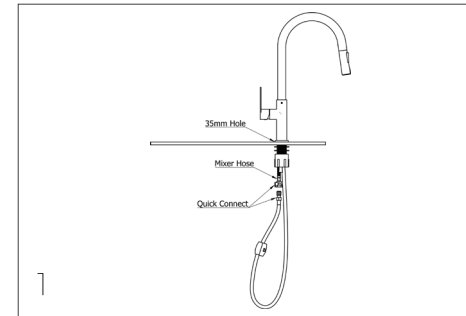
Flush all pipework before installation. If supply pressure exceeds 550 kPa, fit an approved pressure-limiting device. If hot water exceeds 75°C, fit an approved tempering valve. Any flow controller in the outlet must be tightened so it cannot be removed by hand (AS 3718). Install in accordance with AS/NZS 3500.1 or local authority requirements.

CARE & MAINTENANCE

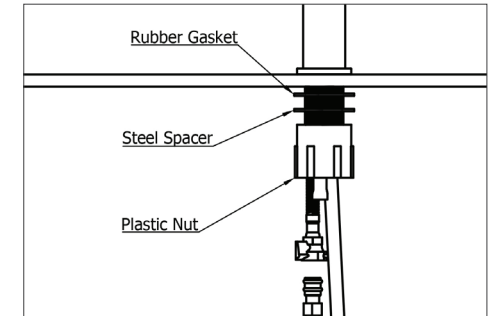
Clean finished surfaces with mild soap and warm water only. Do not use cream cleaners, abrasives or citrus-based products — these will damage the finish and void warranty. Dry with a soft cloth after use.

WARRANTY & DISCLAIMER

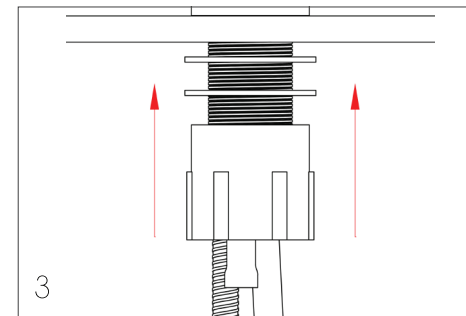
Refer to the full warranty statement supplied with the product before installing. Failure to follow these instructions may void warranty. Specifications are correct at time of printing; Blutide reserves the right to modify products without notice. Always use the physical product for set-out. All dimensions in millimetres.



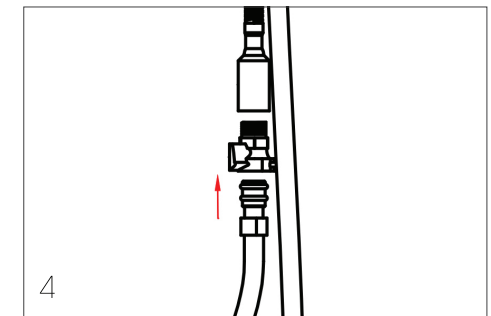
1. Drill a Ø35mm hole in the benchtop if not already available in the sink. Feed both mixer hoses and the Quick Connect fitting down through the hole.



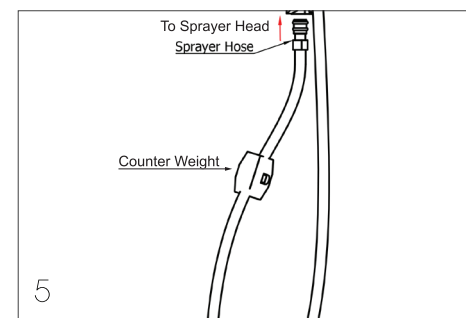
2. From under the bench, slide the rubber gasket and steel spacer up the threaded tail, then hand-tighten the plastic nut.



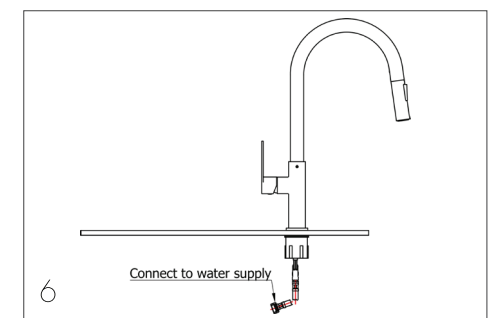
3. Tighten the plastic nut to lock the mixer firmly to the benchtop.



4. Push the sprayer hose into the Quick Connect until it clicks. **To release: press the blue button and pull the hose out.**



5. Clip the counterweight onto the hose roughly 200mm from the bottom. This retracts the sprayer smoothly.



6. Connect both mixer hoses to the water supply. Turn on, run the tap and sprayer, and check all joints for leaks.



THANK YOU FOR PURCHASING ONE OF OUR QUALITY MONDELLA PRODUCTS.

Please keep your receipt as proof of purchase, as this will authenticate your warranty. Any claim under this warranty must be made within the warranty period from date of purchase of the product. To make a claim under the warranty, take the product (with proof of purchase) to any Bunnings store (see www.bunnings.com.au or www.bunnings.co.nz for store locations) or contact Blutide Pty Ltd. Blutide Pty Ltd bears reasonable, direct expenses of claiming under the warranty. You may submit details and proof to Blutide Pty Ltd for consideration. The warranty covers manufacturer defects in materials, workmanship and finish under normal use. This warranty is provided in addition to other rights and remedies you may have under law: our goods come with

guarantees which cannot be excluded under the Australian Consumer Law (ACL) or the New Zealand Consumer Guarantees Act (CGA). You are entitled to replacement or refund for a major failure and to compensation for other reasonably foreseeable loss or damage. You are also entitled to have the goods repaired or replaced if the goods fail to be of acceptable quality and the failure does not amount to a major failure. The warranty excludes damage resulting from product misuse or product neglect. The warranty covers domestic use only and does not apply to commercial applications. This warranty is given by Blutide Pty Ltd, ABN 39 669 825 003, P.O.Box 535, Elsternwick, Vic, Australia, 3185, phone number: 1300 900 213, service@blutide.com.

WARRANTY PERIODS

MIXERS, TAPWARE, TOILETS & SHOWERS

- 10 years replacement cartridge
- 10 years replacement product or parts
- 5 years replacement flexible mixer hoses
- 1 year replacement product or parts and labour

OTHER ITEMS

- 10 years replacement product or parts

The warranty covers domestic use only and does not apply to commercial applications.

AFTERMARKET SERVICE PROCEDURE

Please email service@blutide.com and include the following information: proof of purchase, item number and product description, installing person's name and contact details.

PRODUCT WARRANTY

WARRANTY SHALL BE VOID FOR THE FOLLOWING REASONS:

- Inability to provide proof of purchase.
- Plumbing products not installed by a licensed plumber.
- Products not installed to relevant local, national and state regulations.
- Products not installed in accordance with the manufacturer's installation instructions.
- Fitting of other devices to the outlet of the tapware, e.g. water filters.
- Fitting of non-approved flow controllers in tap bodies or end of the line devices.
- Products used for incorrect applications, non-portable water etc.
- Damage as a result of obstructions due to inadequate flushing of system before use.
- Service or repairs with non-standard replacement parts previously undertaken without written approval.
- Damage to finishes by adhesive, sealant etc.
- Damage to product and/or components due to exposure to caustic or corrosive substances or environments.
- Damage to flexible mixer hoses due to exposure to caustic or corrosive substances or environments.
- Failure to clean and replace outlet aerator inserts etc.
- Any damage which arises from installation or post-installation use.
- Relevant products are exposed to water pressure and or temperatures that exceed the following limitations:
 - Maximum Temperature: 75 degrees;
 - Maximum Pressure: 500kPa;
 - Minimum Temperature 1 degree;
 - Minimum Pressure: 150kPa (300kPa for shower / Bath Diverter)

Note: AS/NSZ 3500.1-2018 (Clause 3.3.4) Specifies 500kPa maximum water supply pressure at any outlet within a building for new installations.

The warranty work is limited to the pre-approved work by Blutide Pty Ltd.

Warranty claims for labour undertaken will only be honoured if the work is conducted by a licensed tradesperson as defined by local, state or national regulations.