

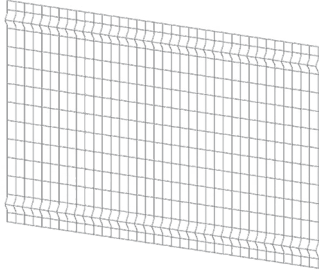

⚠️WARNING No representation or warranty is given that your particular application of these products complies with relevant building codes. Consult with professionals and local building officials before beginning work: (i) to ensure compliance with relevant building codes for your application; (ii) to identify appropriate safety gear used during installation; (iii) to ensure that the work area is free from utilities, services and hazards; and (iv) to clarify any instructions or warnings that may not be clear. Work in a safe manner wearing protective gear such as gloves, eyewear, headwear, footwear and clothing. When using tools comply with operation manuals and instructions. Inspect and maintain these products on a regular basis.

Neither Peak Products Pty Limited nor Peak Products Corporation shall be liable for any loss or damage resulting from the improper installation or improper use of this product, subject to any contrary provision of the Australian Consumer Law in Australia or the Consumer Guarantees Act in New Zealand. Peak products and associated materials are protected by patents, designs, copyrights and/or trademarks.

Tools and Materials Needed

- Drill
 - 7 mm Drill bit for metal
 - 10 mm Spanner
 - Metal cutting saw
 - Spirit level
 - Measuring tape
 - String line
 - Post hole digger
 - Shovel
 - Concrete mixing equipment
 - Concrete trowel
 - Dry premixed concrete (per post): 60 kg*
- *Quantities are estimated. Post hole size and depth will depend on your soil conditions. Always check with your local codes for post hole size and depth.

Contents

Panel	Post	Brackets (1 bag)
1x Panel	1x In-ground Post	6x Brackets
		6x Bolts
		1x Hex key
		6x Nuts
		6x Washers

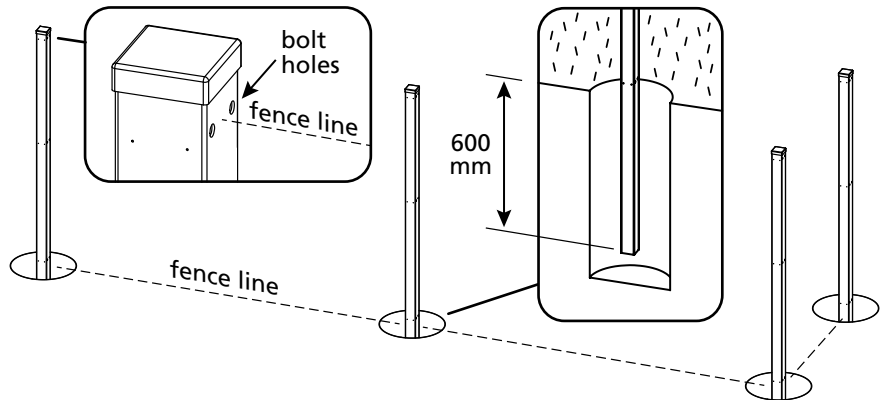
How many Brackets do you need?	
Corner post	2 bags
All other posts	1 bag

1 Measure and mark the position of all posts and ensure they are aligned.

Dig the post holes. Position the posts in the post holes, aligning bolt holes with fence line, and brace plumb. Do not pour concrete yet.

Recommended post depth underground: 600 mm.

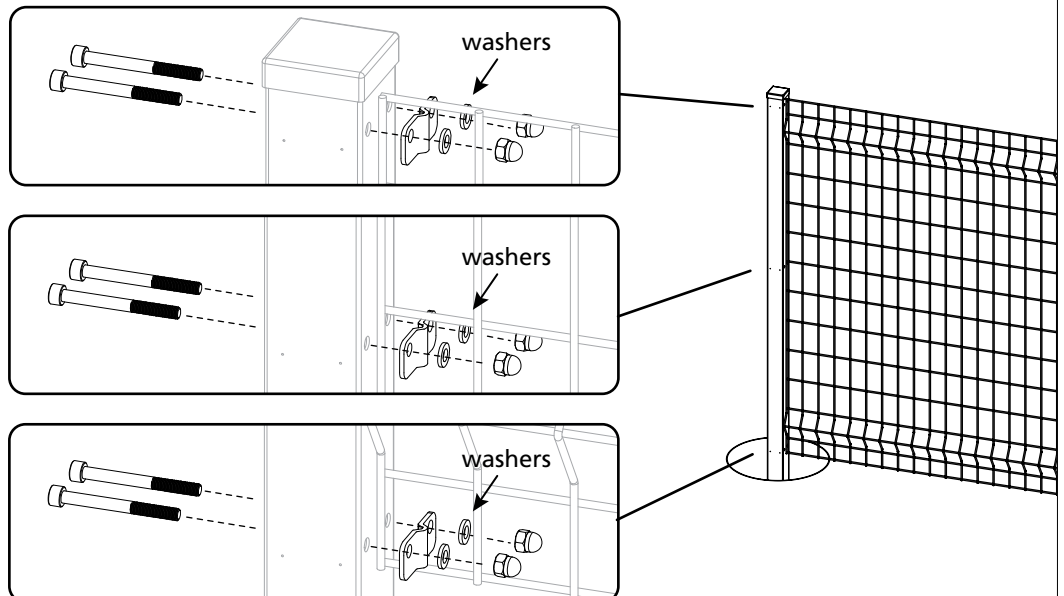
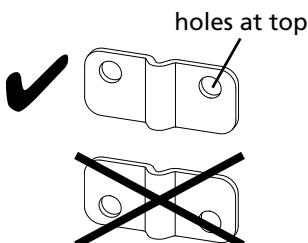
⚠️ Post hole size and depth will depend on your soil conditions. Always check with your local codes for post hole size and depth.



2 Position first panel against end post 50 mm from ground and level. Secure panel to end post using a bracket at top, middle, and bottom.

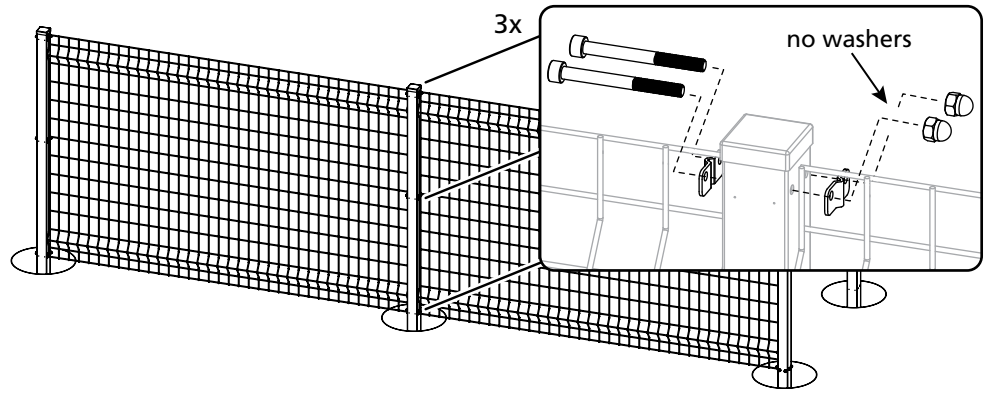
⚠️ Use washers under nuts.

⚠️ Orient the brackets so the holes are at the top (see image below).



3 To attach two adjacent panels to a middle post, use two brackets at top, middle, and bottom.

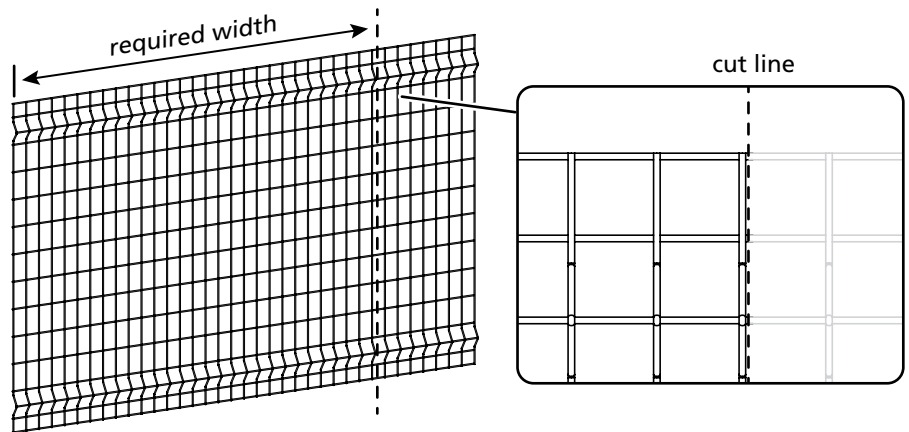
⚠ Do not use washers when securing brackets on a middle post.



4 **⚠** Only complete this step if you need to cut a panel to a shorter length.

Cut horizontal wires flush with vertical wire positioned at the required width. Use exterior grade metal paint to cover cut ends.

⚠ A metal saw is recommended for clean cuts.



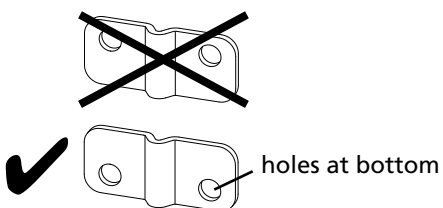
5 To mount a panel around a corner:

A: Drill 6 holes on each side of corner post at dimple locations using 7 mm drill bit.

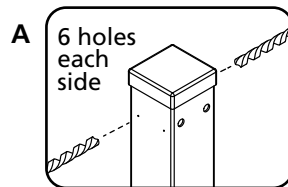
B: Secure panel to post using a bracket at top, middle, and bottom.

⚠ Use washers under nuts.

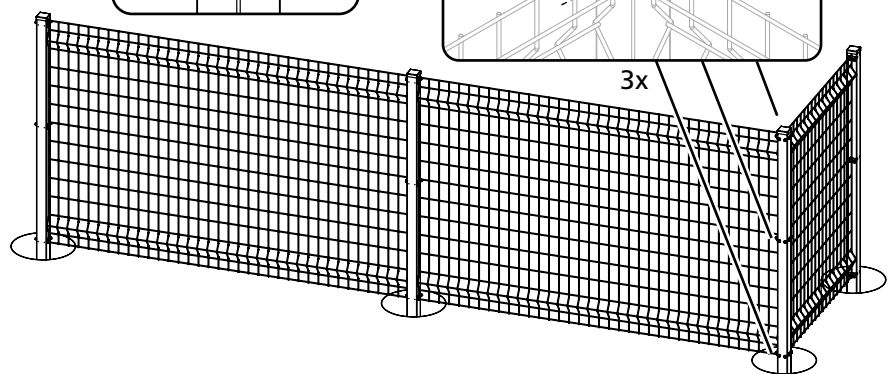
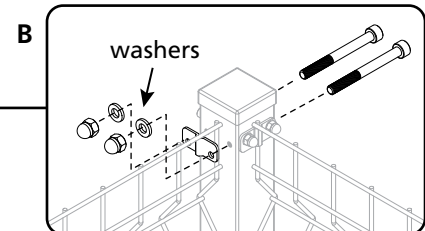
⚠ When bolting through drilled holes, orient the brackets so the holes are at the bottom (see image below).



REAR VIEW



REAR VIEW



6 Repeat steps 1-5 for all remaining fence sections. Mix and pour concrete into post holes.

