



WILDBOAR
CONCRETE FREE FOOTINGS

E. sales@wildboar.co.nz P. 09 947 5034 www.wildboar.co.nz



SUREFOOTTM
CONCRETE FREE FOOTING SYSTEM





SUREFOOT SYSTEMS & ACCESSORIES

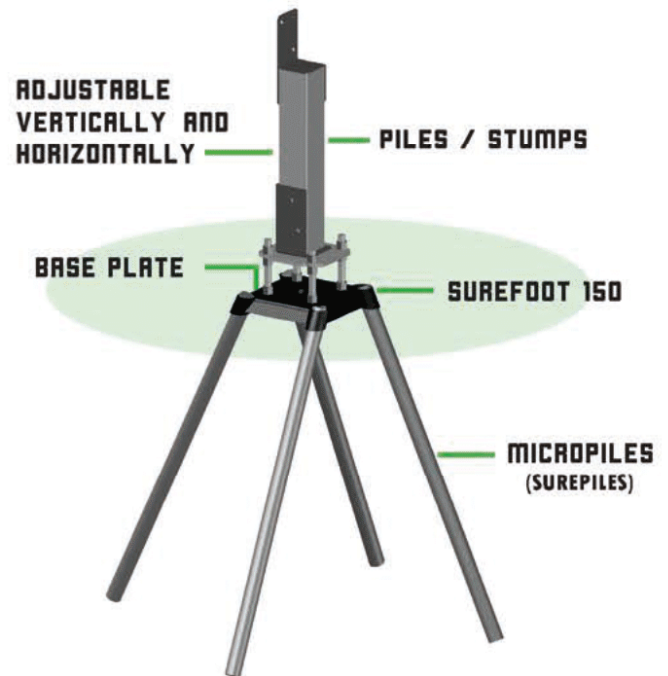
THE SUREFOOT PRINCIPLE

Surefoot's engineering principles are based on a combination of shallow and deep foundation design methodology. It uses the theory of bearing capacity of a shallow foundation, plus the skin friction and toe resistance of a deep foundation in all soil types through a fully certified footing design. Micro piles are driven through a fully certified footing design. Micro piles are driven with a jackhammer. The footing has instant capacity and does not disturb the ground, therefore affording tremendous efficiency of time, labour, material and project cost.

Low cost, time saving, high strength & instant bearing capacity-Surefoot pile cap mimics a tree's root system through a series of steel micro piles in a battered array, resolving foundations at relatively shallow depths and efficient transfer of load and uplift forces with minimal soil disturbance.

SUREFOOT VS CONCRETE

	 SUREFOOT <small>CONCRETE FREE FOOTING SYSTEM</small>	CONCRETE
Fixed costs	YES	NO
Excavations required	NO	YES
Dirt or spoil removal off site or relocation on site	NO	YES
Engineering inspection required	NO	YES
Concrete pump required	NO	YES
Propping materials for setting up posts	NO	YES
Gravel for bottom of post holes	NO	YES
Instant bearing capacity of foundations so your works can continue same day	YES	NO
Workplace health & safety risk	LOW	HIGH
Total installation time	SHORT	LONG
Rain delays - post holes full of water	NO	YES
Number of trades and materials required to organise	2	UP TO 10
Access issues for machinery & materials	NO	YES
Environmentally friendly	YES	NO
Re establishment of landscape required	NO	YES
Adjustable in both plumb & level after your foundation is installed	YES	NO



SUREFOOT FOOTINGS ARE

- High strength
- Simple
- Cost effective
- Quick to install
- Minimal soil and site disturbance
- Recyclable and reusable
- Suitable for large floor spans of up to 4m
- Suitable in cyclonic regions
- Ideal for remote areas and difficult terrain
- Backed by our technical support team
- Independently tested to ASTM piling standards
- Green solution for low carbon footing system
- Ability to support various types of loading such as compression, uplift, lateral loads and bending moments
- Suitable in any penetrable soil such as sand, silt, clay, fine gravels and even sedimentary rock



COST SAVINGS

SUSTAINABLE

TIME SAVER

NO HEAVY EQUIPMENT

QUALITY MATERIALS

S150

Bolting Pattern:

90mm centres x 4 x 16mm holes

Micro Piles:

4 x 25NB (Nominal Bore) 33.70D

Galvanised Pipe Light, Medium, Heavy

Load Capacity: Up to 90kN



Average installation time: 10 minutes approx

S250

Bolting Pattern:

140mm centres x 4 x 22mm holes

Micro Piles:

4 x 32NB (Nominal Bore) 42.40 OD

Galvanised Pipe Light, Medium, Heavy

Load Capacity: Up to 100kN

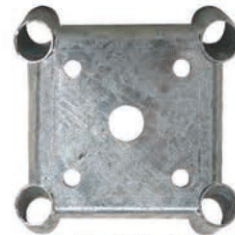
Average installation time: 10 minutes approx



4-WAY



3-WAY



2-WAY

S400

Bolting Pattern:

198-250 mm centres x 4 x 16mm holes

300-350 mm centres x 4 x 26mm holes

Micro Piles:

12 x 32NB (Nominal Bore) 42.40D

Galvanised Pipe Light, Medium, Heavy

Load Capacity: Up to 32kN

Average installation time:

15 minutes approx



S600

Bolting Pattern:

350-400PCD x 4 x 26mm holes

432-500PCD x 4 x 32mm holes

Micro Piles:

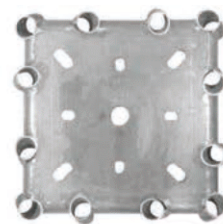
16 x 32NB (Nominal Bore) 42.40D

Galvanised Pipe Light, Medium, Heavy

Load Capacity: Up to 90kN

Average installation time:

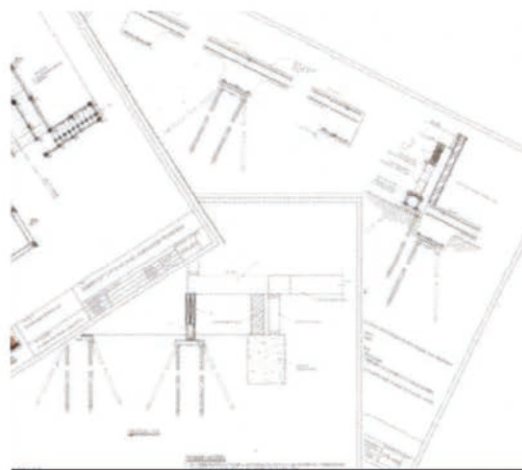
40 minutes approx



Surefoot Load capacities are indicative and are dependant on soil type and pile embedment depth. For Specification, please contact Pacific Footings directly



SOIL TEST



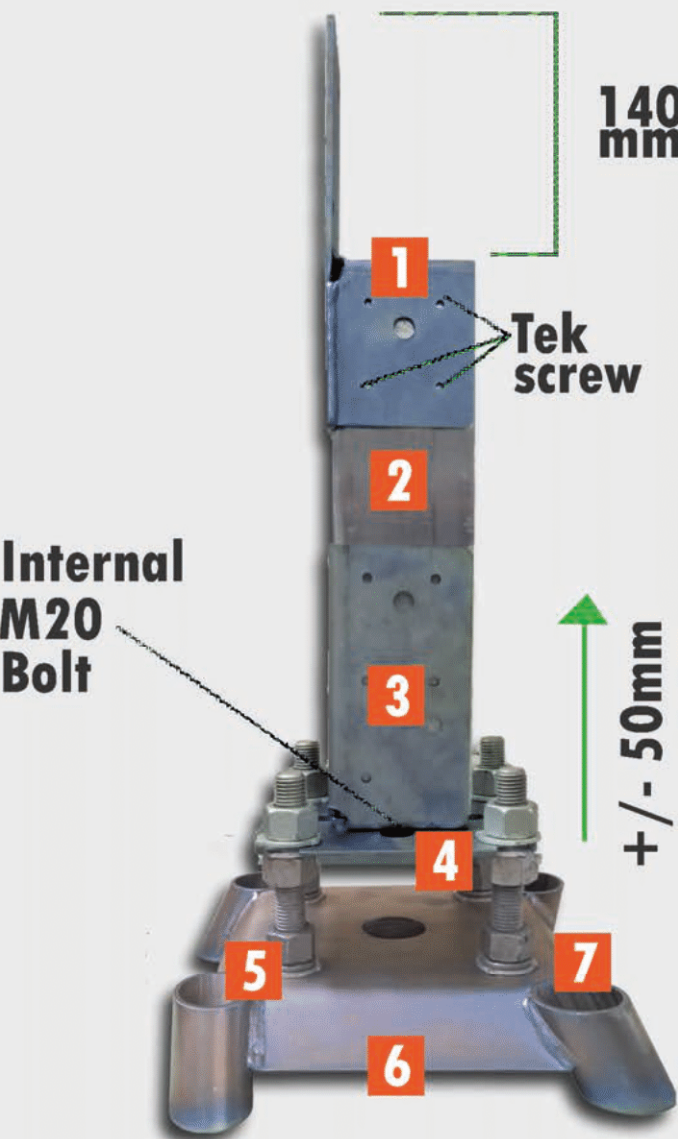
ENGINEERING DESIGN



PLACE SUREFOOT LEVEL

SUREFOOT SYSTEM SIMPLE INSTALL

FULLY ADJUSTABLE



1
Adjustable universal top
Bracket with Angle
2xM12 bolt



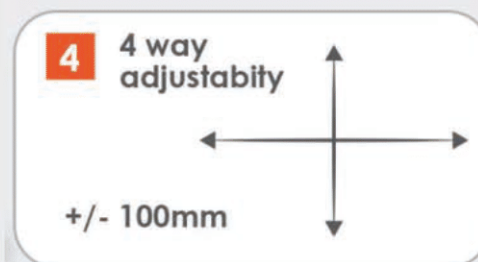
2
Available to suit
75 x 75 / 90 x 90 / 100
x 100 SHS or timber stumps



5
4X M20 - 8.8 grade
nuts, bolts and washers



6
Surefoot



4 4 way
adjustability

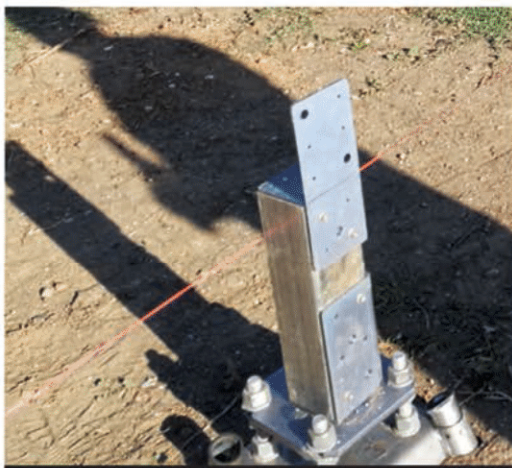
+/- 100mm



7



JACK HAMMER MICRO PILES



ADD BASE PLATES



PLACE SYSTEM

SEMI ADJUSTABLE / WELD DIRECT



Adjustable universal base Bracket with Angle M20/M12 bolt



12mm Adjustable Base Plate



32NB galvanised pipe Light, Medium, Heavy



Jackhammer Driver



6 Rotate anywhere on the Surefoot plate. Use 4x Series 500 Tek to secure or via M20 bolt.



TOP PLATES



SR-ST
Straight Top



SR-CT
Corner Top



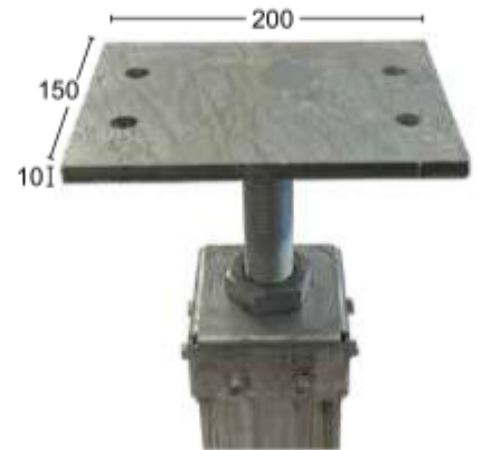
SR-ET
End Top



SR-TT
Tee Top



SR-VST/VT
Vertical Top



SR-SLT
Straight Large Top

	A	B	C	THICKNESS
SMALL	75	90	90	6
LARGE	75	125	140	6
XLARGE	85	220	200	6



WILDBOAR
CONCRETE FREE FOOTINGS

ADJUSTABLE STUMP TOPS

*XX denotes 75mm, 90mm or 100mm SHS



SR-SO-XX
Screw On Adjustable



SR-WO-XX
Weld On Adjustable



SR-RET-XX
Retro Fit

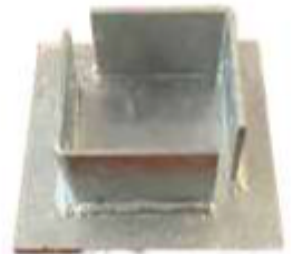
BASES



SR-XX-2HBP
2 Hole Base Plate



SR-XX-4HBP
4 Hole Base Plate



SR-XX-CIB
Cast In Base Plate

BRACING SYSTEMS

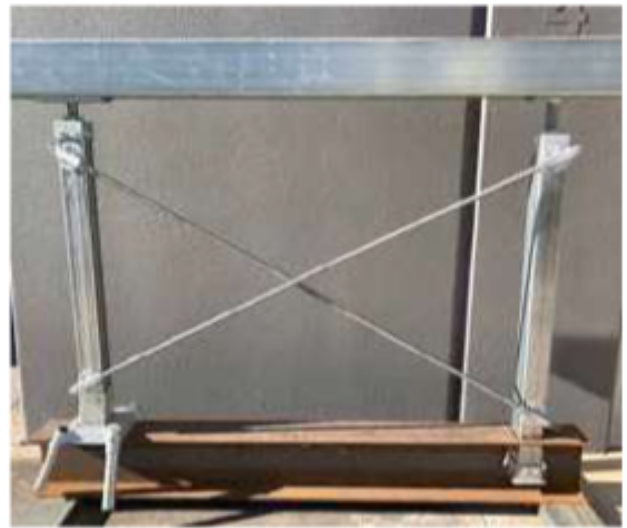
Can be used for:

- post-to-post connection
- post-to-bearer connection

The Full Cross Bracing Set is 3m long, but can be cut to suit your installation.

Longer length options available.

Bracing does not require any welding for installation.



WILDBOAR
CONCRETE FREE FOOTINGS

MISCELLANEOUS



SR-GWP
Guy Wire Plate



SR-4HBP-Fin
Fin Plate
* for timber posts



Complete Stumps
* made to order



SR-DC
Single Dog Clamp



SR-SST
Straight Slotted Top



SR-CT
Container Twistlock
Adjustable/Non-adjustable



WILDBOAR
CONCRETE FREE FOOTINGS



- Housing - ideal for sloping sites
- Prefabricated structures
- Modular construction
- Decking
- Pergolas
- Fencing
- Sheds
- Carports
- Shade structures/ sails
- Playground equipment
- Green building
- Temporary structures



- Deck footings
- Shade sails
- Umbrellas
- Fences
- Backyard sheds
- Light poles
- Stock yards
- Remedial work
- Retaining walls & sound barriers





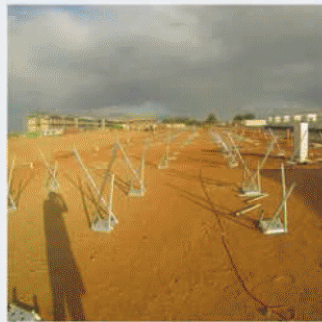
COMMERCIAL

- Commercial construction
- Portal frame construction
- Concrete slab support
- Suspended floors/ slabs
- Cyclonic tie downs
- Stabilisation
- Boardwalks and jetties
- Bus shelters
- Bridges
- Winch points



CIVIL

- Defence industry
- Mining industry
- Energy industry
- Signage, banner & flag industry
- Communication industry
- Tethering industry
- Event industry
- Renewable energy, solar & wind farms





WILDBOAR
CONCRETE FREE FOOTINGS

E. sales@wildboar.co.nz P. 09 947 5034 www.wildboar.co.nz

AUSTRALIAN STANDARDS

AS 2870-2011
AS/NZS 4600-2005
AS/NZS 1170.2-2011
AS 2159-2009
AS 1074-1989

AS/NZS-2041.1 2011
AS/NZS-4680:2006
AS 3566.2-2002
AS 1726-1993

ASTM TESTING

ASTM 1143
ASTM 1143-81
ASTM D1143/D1143M-07
ASTM D3689
FHWSA-97-070

EUROCODE TESTING

EUROCODE EN1990
EUROCODE 1 EN1991
EUROCODE 3 EN1193
EUROCODE 7
EN14199
EN12699