



MIMOSA®

Cordoba Charcoal Sunlounge  
Installation Guide

The first part of the document discusses the importance of maintaining accurate records of all transactions and activities. It emphasizes that this is crucial for ensuring transparency and accountability in the organization's operations. The text then moves on to describe the various methods used to collect and analyze data, highlighting the role of technology in streamlining these processes. It also touches upon the challenges faced in data management and the strategies employed to overcome them. The second part of the document focuses on the implementation of these strategies, detailing the steps taken to integrate the new systems and the training provided to staff. It concludes by summarizing the key findings and the overall impact of the project on the organization's performance.

# Cordoba Charcoal Sunlounge

**POWDER COATED ALUMINIUM FRAME**

**Padded Sling with Heat Seal**

**ITEM NO. : 0583715**

4.



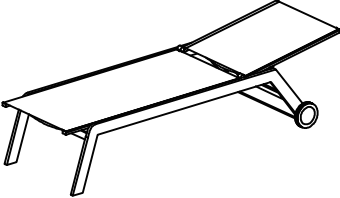

**Please carefully read the below warnings and instructions.  
Save the instructions for future reference.**

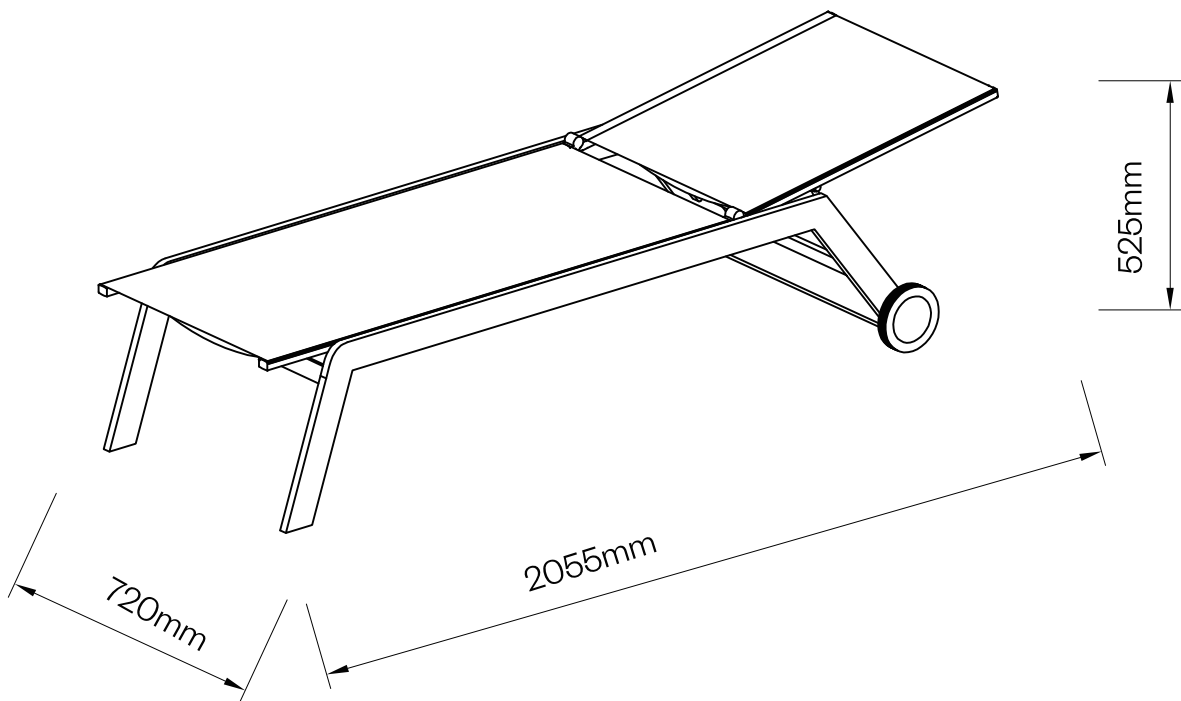
- Please carefully read all instructions before assembly and use.
- Please separate and identify all parts, ensuring that you have all parts listed.
- Assembly to be carried out by a competent adult.
- During assembly children should be kept away from the product due to possible risk of injury, small parts, and sharp fittings.
- Do NOT use power tools to assemble the product.
- Don't tight all the bolts before the product is fully assembled. Be careful not to over tighten the nuts during assembly.
- Please check the fixings are all tight monthly.

#### **Recommendation**

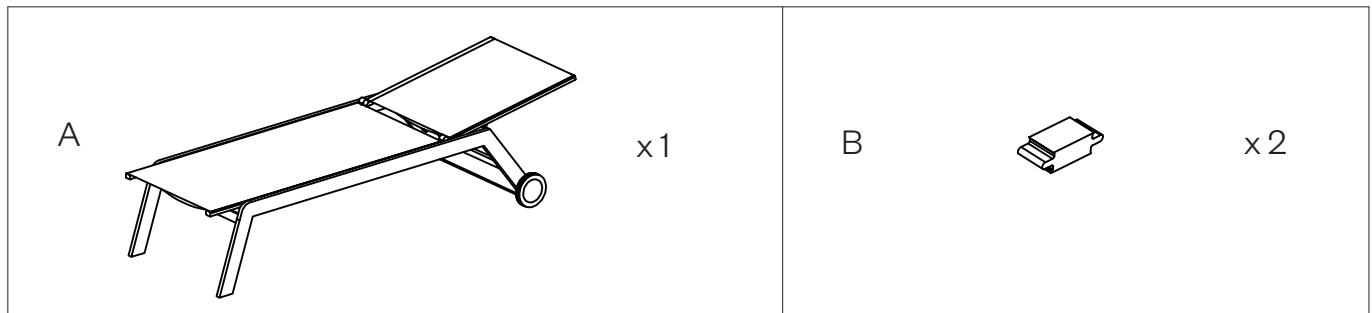
- It would be useful to ask someone to help you assemble the product.
- Retain these instructions for future reference.
- This product is not suitable for extreme weather conditions. Do NOT use in extreme weather condition such as thunderstorm, hailstone, heavy rain, high wind or heavy snow, etc. Warranty claims due to weather events won't be taken into account.
- This piece of furniture has been produced under the best possible conditions and care. However we advise you during constructing or breaking down of this piece of furniture to be aware of sharp metal.
- This product is designed for occasional use only. Do not use as a permanent structure. If no use for long time, dismantle and store safely to prevent any damage occurring.
- You must take into account that fabric may be discolored under the exposure of sunshine. This change is a natural cause, and it is not a factor for claim.
- To extend the life, product should be stored in a dry and ventilated place when not in use and especially over the winter months or during rainy condition. If this is not possible, we advise you to always use a protective waterproof cover when not using the furniture.
- The maximum weight / load of this product is 120kg.
- Wipe clean with damp cloth only using detergent & lukewarm water.

**Parts List:**

<b>Part No.</b>	<b>Pictures</b>	<b>Description</b>	<b>QTY</b>
A		Sunlounge	1
B		Plug	2

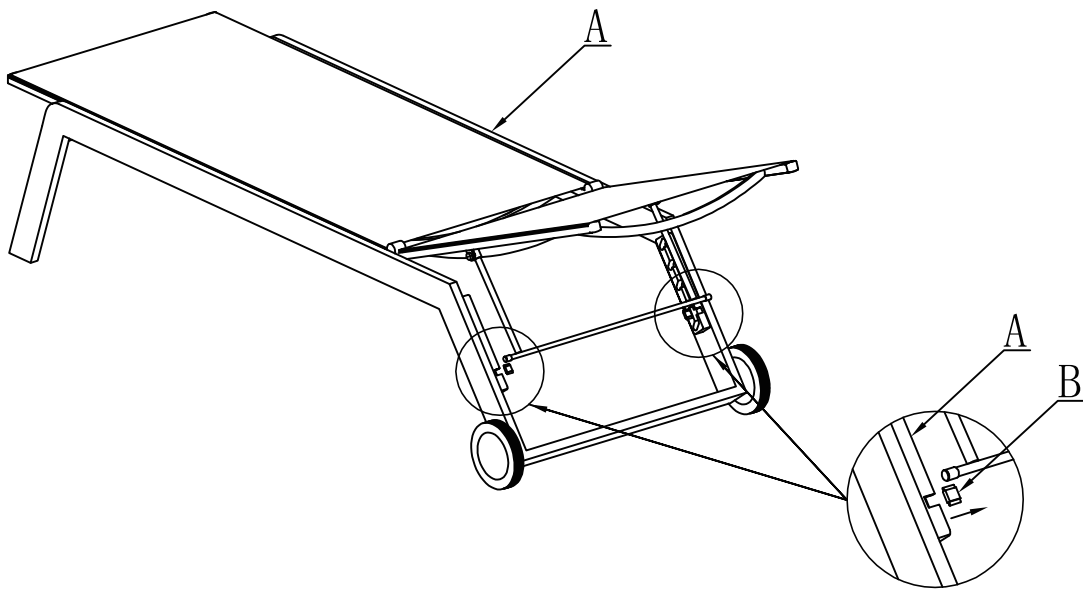


6.



**Step 1:**

Take out the plugs (B).



**Step 2:**

After inserting hanging tube to adjustable buckle, then put the plugs (B) back.

