

RYOBI®

ORIGINAL INSTRUCTIONS

Cordless Lawn Mower

**RLM18X33S40
OLM1833S**



Important!

It is essential that you read the instructions in this manual before assembling, operating, and maintaining the product.

Subject to technical modification.

Safety, performance, and dependability have been given top priority in the design of your cordless lawn mower.

INTENDED USE

The cordless lawn mower is intended for outdoor use only.

The product is designed for domestic lawn mowing. The cutting blade should rotate approximately parallel to the ground over which it is being wheeled. All four wheels should touch the ground while mowing. It is a pedestrian-controlled, walk-behind mower designed to be pushed by hand.

The product should never be operated with the wheels off the ground. It should not be pulled or ridden on. It should not be used to cut anything other than domestic grass lawns. Do not use the product for any other purpose.

GENERAL SAFETY WARNINGS

⚠ WARNING

When using the product, the safety rules must be followed. For your safety and that of bystanders, read these instructions before operating the product. Keep the instructions safe for later use.

⚠ WARNING

The product should only be operated with the battery packs specified in this manual. When using a battery-operated product, basic safety precautions should always be followed to reduce the risk of fire, leaking batteries, and personal injury.

PERSONAL SAFETY

- The product is capable of amputating hands and feet, and of throwing objects. Failure to observe all safety instructions could result in serious injury or death.
- Be familiar with the controls and the correct use of the product.
- Never allow children or people with reduced physical, sensory, or mental capabilities, or persons who are unfamiliar with these instructions to operate, clean, or maintain the product. Local regulations may restrict the age of the operator. Children should be

adequately supervised to ensure that they do not play with the product.

- Stay alert, watch what you are doing, and use common sense when operating the product. Do not operate the product while tired, ill, or under the influence of drugs, alcohol, or medication. A lapse in concentration while operating the product may result in serious personal injury.
- Wear heavy, long trousers, long sleeves, and sturdy anti-slip footwear. Do not wear short trousers, sandals, or go barefoot. Avoid wearing clothing that is loose-fitting or that has hanging cords or ties.
- Always wear safety glasses with side shields.
- Always be sure of your footing especially on slopes. Keep firm footing and balance. Walk, never run.
- Use the product across the face of slopes, never up and down. Exercise extreme caution when changing direction on slopes.
- Do not use the product near drop-offs, ditches, excessively steep slopes, or embankments. Poor footing could cause a slip-and-fall accident.

WORK AREA SAFETY

- Never use the product while people, especially children, or pets are within 15 m because of the danger of objects being thrown by contact with the blade.
- Objects struck by the lawn mower blade can cause severe injuries to persons. Thoroughly inspect the area where the product is to be used and remove all rocks, sticks, metal, wire, bones, toys, or other foreign objects. Remember, string or wire may entangle with the cutting means.
- Always use the product in the daylight or with good artificial light.
- Do not operate the product in explosive atmospheres, such as in the presence of flammable liquids, gases, or dust. The product creates sparks, which may ignite the dust or fumes.
- Do not operate the product on wet grass or in the rain.
- Do not use the product when there is a risk of lightning.
- Keep in mind that the operator or user is responsible for accidents or hazards

occurring to other people or their property.

- Tragic accidents can occur if the operator is not alert to the presence of children. Children are often attracted to the product and the mowing activity. Never assume that children will remain where you last saw them.
- Keep children out of the mowing area and under the watchful care of a responsible adult other than the operator, be alert and turn the product off if a child enters the area.
- Use extra care when approaching blind corners, shrubs, trees, or other objects, including overhanging shrubs, which may block your view.

BATTERY TOOLS USE AND CARE

- Read, understand, and always follow the safety instructions that came with your battery and charger. Failure to do so may result in electric shock, fire, or other hazardous situations. Keep all the instructions together in a safe place for future reference.
- Battery-operated products do not have to be plugged into an electrical outlet; therefore, they are always in operating condition. Remove the isolator key whenever you are not operating the product.
- Remove the battery pack before making any adjustments, cleaning, or removing material from the product.
- Ensure that the isolator key is removed before inserting the battery pack.
- A battery pack must be recharged only with the charger specified by the manufacturer. Using a charger with an incompatible battery pack may create a risk of fire. Use battery pack only with charger listed.
- Use only battery pack intended specifically for the product. The use of any other battery packs may result in a risk of fire, electric shock, or injury to persons.
- When battery pack is not in use, keep it away from other metal objects like paper clips, coins, keys, nails, screws, or other small metal objects, that can make a connection from one terminal to another. Shorting the battery pack terminals together may cause sparks, burns, fire, or explosion.

- Do not place battery products or their batteries near fire or heat. This increases the risk of explosion and possibly injury.
- Do not open or mutilate the battery pack. Released electrolyte is corrosive and may cause damage to the eyes or skin. It may be toxic if swallowed.
- Protect the battery pack against moisture and water. Do not charge the product in a damp or wet location. Following this rule reduces the risk of electric shock.
- In case of damage and improper use of the battery, vapour may be emitted. Provide for fresh air and seek medical help in case of complaints. The vapour can irritate the respiratory system.
- Do not leave the battery pack inside a vehicle in hot or cold conditions.
- Do not incinerate the battery.
- Under abusive conditions, liquid may be ejected from the battery; avoid contact. If contact accidentally occurs, flush with water. If liquid contacts eyes, additionally seek medical help. Liquid ejected from the battery may cause irritation or burns.

LAWN MOWER SAFETY WARNINGS

- Before use, always visually inspect the product to ensure that blades, blade bolts, and cutter assembly are not worn or damaged.
- Replace worn or damaged blades and bolts in sets to preserve balance.
- The blade on the product is sharp. Use extreme caution and wear heavy-duty gloves when fitting, replacing, cleaning, or checking bolt security.
- Bring the product to an authorised service centre to replace damaged or unreadable labels.
- Check all nuts, bolts, and screws at frequent intervals for proper tightness to be sure that the product is in safe working condition.
- Frequently check the grass catcher for wear, holes, or deterioration.
- Replace worn or damaged parts before operating the product.
- The product must be started with the user behind the handlebars in the operator

safety zone. Never start the product if:

- Not all four wheels are on the ground.
 - The grass discharge chute is exposed and is not protected by the grass catcher and grass discharge chute cover.
 - Hands and feet of all persons are not clear of the cutting enclosure.
- Never operate the product if the on/off switch on the handlebar does not properly start and stop the product.
 - Never attempt to lock the on/off switches in the on position. Locking the switch in the on position is extremely dangerous.
 - Do not force the product. It will do the job better and safer at the speed for which it was designed.
 - Stop the blade when crossing gravel surfaces.
 - Do not pull the product backwards unless absolutely necessary. If you must back the product away from a wall or obstruction, first look down and behind to avoid tripping or pulling the product over your feet.
 - Turn off the motor and allow the blade to stop if the product has to be tilted for transportation when crossing surfaces other than grass, and when transporting the product to and from the work area.
 - Never use the product with defective guards or shields, or without safety devices, such as deflectors and grass catchers, in place.
 - Do not tilt the product when turning on the motor or while the motor is running. If absolutely necessary, you may raise the front of the lawn mower by no more than 5 cm to enable easier starting. Press down on the handlebar to achieve this. Always return the mower to its normal position with all wheels on the ground before cutting. Tilting the mower exposes the blade and increases the probability of objects being thrown and accidental contact with the blade.
 - Turn on the motor carefully according to instructions, and keep hands and feet away from blades. Do not put hands or feet near or under rotating parts. Keep clear of the discharge opening at all times.
 - Never pick up or carry the product while it is running.
- Turn off the product, and remove the isolator key and the battery pack. Make sure that all moving parts have come to a complete stop:
 - before leaving the product unattended (including disposal of grass clippings)
 - before clearing blockages or unclogging the discharge chute
 - before checking, cleaning, or working on the product
 - before removing the grass catcher or opening the grass discharge chute cover
 - after striking a foreign object (inspect the product for damage and make repairs as necessary before restarting and operating the product)
 - whenever the product starts to vibrate abnormally (check immediately)
 - inspect for damage, particularly the blades
 - replace or repair any damaged parts
 - check for and tighten any loose parts
 - Avoid holes, ruts, bumps, rocks, property stakes, or other hidden objects. Uneven terrain could cause a slip-and-fall accident.
 - Always ensure that the motor control cable is never trapped, pinched, or damaged during assembly or when folding the handle.

ADDITIONAL BATTERY SAFETY WARNINGS

⚠ WARNING

To reduce the risk of fire, personal injury, and product damage due to short circuit, never immerse the tool, battery pack, or charger in fluid or allow fluid to flow inside them. Corrosive or conductive fluids, such as seawater, certain industrial chemicals, and bleach or bleach-containing products, etc., can cause a short circuit.

PRODUCT FEATURES

OVERLOAD AND OVERHEAT PROTECTION

The product has an overload protection device. When overloading is detected, the product automatically turns off. If the overload

protector is actuated, release the on/off trigger. Press the start button, and squeeze the on/off trigger to restart the product.

The battery pack has overheat protection. Excessive temperatures cause the battery to stop powering the product. If the battery pack is too warm, allow it to cool down before resuming operation. If the product still does not work, recharge the battery.

NOTE: The battery pack LED indicator does not work if the battery protection feature has caused the battery pack to stop powering the product. Release the on/off trigger or remove the battery pack from the product, and the battery pack LED indicator will resume normal function.

GENERAL MOWING TIPS

The run time of the battery depends on the condition, length, and density of the grass.

Adjust the cutting height of the lawn mower to suit the current condition of the lawn.

Grass conditions	Suggested height adjustment		Coverage (maximum)	
	First pass	Succeeding passes	4 Ah battery	5 Ah battery
Ver thin / Dry	3	2	200 m ²	250 m ²
Thin / Dry	4	3 → 2	150 m ²	200 m ²
Medium / Dense	5	4 → 3	100 m ²	150 m ²

- For best performance, always cut off one-third or less of the total height of the grass.
- When cutting long grass, reduce walking speed to allow for more effective cutting and a proper discharge of the clippings.
- Do not cut wet grass. Wet grass sticks to the underside of the deck and prevents proper collection or discharge of grass clippings.
- New or thick grass may require a higher cutting height.
- To collect the grass cuttings for disposal, remove the mulching plug and fit the grass catcher, making sure that the rear door is properly closed. Empty the grass catcher regularly. Otherwise, the discharge chute becomes blocked with grass cuttings.

- If you are making a light cut and wish for the grass cuttings to remain on the lawn, fit the mulching plug and close the rear door to cover the discharge opening. It is not necessary to fit the grass catcher in this case.
- The product is designed to operate and cut most effectively when moving forwards.
- A higher cutting height extends the run time of the battery.

TRANSPORTATION AND STORAGE

- Turn off the product, and remove the isolator key and the battery pack. Make sure that all moving parts have come to a complete stop. Allow the product to cool down before storing or transporting.
- Remove all foreign materials from the product. Store the product in a cool, dry, and well-ventilated area that is inaccessible to children. Keep the product away from corrosive agents such as garden chemicals and de-icing salts. Do not store the product outdoors.
- For transportation in vehicles, remove the isolator key and secure the product against movement or falling to prevent injury to persons or damage to the product.

⚠ WARNING

Use extreme caution when lifting or tilting the product for maintenance, cleaning, storage, or transportation. The blade is sharp, keep all body parts away from the blade while it is exposed.

TRANSPORTING LITHIUM BATTERIES

Transport the battery in accordance with local and national provisions and regulations.

Follow all special requirements on packaging and labelling when transporting batteries by a third party. Ensure that no batteries can come in contact with other batteries or conductive materials while in transport by protecting exposed connectors with insulating, non-conductive caps or tape. Do not transport batteries that are cracked or leaking. Check with the forwarding company for further advice.

MAINTENANCE

⚠ WARNING

Use only original manufacturer's replacement parts, accessories, and attachments. Failure to do so can cause possible injury, can contribute to poor performance, and may void your warranty.

⚠ WARNING

Servicing requires extreme care and knowledge and should be performed only by a qualified service technician. Have the product serviced by an authorised service centre only. When servicing, use only original replacement parts.

- Turn off the product, and remove the isolator key and the battery pack. Make sure that all moving parts have come to a complete stop before any cleaning or maintenance task.
- You may make adjustments and repairs described in this manual. For other repairs, have the product serviced by an authorised service center only.
- Replace worn or damaged parts for safety.
- Frequently check the grass catcher for wear or deterioration.
- After each use, clean the product with a soft, dry cloth. Any part that is damaged should be properly repaired or replaced by an authorised service centre.
- Check all nuts, bolts, and screws at frequent intervals for proper tightness to ensure that the product is in safe working condition.
- Be careful during adjustment of the product to prevent entrapment of the fingers between moving blades and fixed parts of the product.
- When servicing the blades, be aware that even though the power source is switched off, the blades can still be moved.
- The blade on the product is sharp. Use extreme caution and wear heavy-duty gloves when fitting, replacing, cleaning, or checking bolt security.
- Replace damaged blades and bolts in sets to preserve balance.

- The blade bolts must be adequately tightened. See the manufacturer's recommendations for blade bolt torque, which can be found in the product specification table in this manual.

CLEARING BLOCKAGES

- Turn off the product, and remove the isolator key and the battery pack. Make sure that all moving parts have come to a complete stop.
- Always wear heavy-duty gloves when checking or clearing a blockage.
- The blades are sharp, and the blockage itself could be a sharp object.
- Remove the grass catcher, check for and carefully clear obstructions.
- Check and carefully clear the grass discharge chute for blockages.
- Turn the product on its side, then check its underside and the area around the blade. Carefully remove any blockages. Remember, the blade may move during cleaning.

RESIDUAL RISKS

Even when the product is used as prescribed, it is still impossible to completely eliminate certain residual risk factors. The following hazards may arise during use, and the operator should pay special attention to avoid the following:

- injury caused by vibration
 - Always use the right tool for the job. Use designated handles and restrict working time and exposure.
- injury caused by noise
 - Exposure to noise can cause hearing injury. Wear ear protection and limit exposure.
- injury from contact with the blades
- injury caused by thrown objects

RISK REDUCTION

It has been reported that vibrations from handheld tools may contribute to a condition called Raynaud's Syndrome. Symptoms may include tingling, numbness, and blanching of the fingers, usually apparent upon exposure

to cold. Hereditary factors, exposure to cold and dampness, diet, smoking, and work practices are all thought to contribute to the development of these symptoms. There are measures that can be taken by the operator to possibly reduce the effects of vibration:

- Keep your body warm in cold weather. When operating the product, wear gloves to keep the hands and wrists warm. It is reported that cold weather is a major factor contributing to Raynaud's Syndrome.
- After each period of operation, exercise to increase blood circulation.
- Take frequent work breaks. Limit the amount of exposure per day.

If you experience any of the symptoms of this condition, immediately discontinue use and see your physician.

WARNING

Injuries may be caused, or aggravated, by prolonged use of a tool. When using any tool for prolonged periods, ensure you take regular breaks.

WHAT'S IN THE BOX

See pages 8-9.

- Lawn mower x 1
- Bottom handle x 2
- Operator's manual x 1
- Locking screw x 2
- Handle knob x 2
- Isolator key x 1
- Grass catcher x 1
- Charger (sold separately for OLM1833S) x 1
- Battery (sold separately for OLM1833S) x 1

SYMBOLS ON THE PRODUCT



Read and understand all instructions before operating the product. Follow all warnings and safety instructions.



Wear ear protection.



Wear eye protection.



Do not operate the product on inclines greater than 15°. Mow across the face of slopes, never up and down.



Do not expose the product to rain or damp condition.



Beware of sharp blades. Blades continue to rotate after the motor is switched off. Remove isolator key before maintenance



Beware of thrown or flying objects. Keep all bystanders, especially children and pets, at least 15 m away from the operating area.



Press the start button and squeeze the on/off trigger (A or B) to start the product. Release the start button and keep squeezing the on/off trigger to run the product. Release the on/off trigger to stop the product.



The handle features 3 levels of height adjustment. Check to ensure that the tubes are properly inserted especially at the highest level. The handle could slip out of the holes if not properly inserted and locked.



Read the instructions carefully before using the product.



Regulatory Compliance Mark (RCM). Product meets applicable regulatory requirements.



Waste electrical products should not be disposed of with household waste. Please recycle where facilities exist. Check with your local authority or retailer for recycling advice.



Guaranteed sound power level

SYMBOLS IN THIS MANUAL



Parts or accessories sold separately



Note



Warning



Stop the product.

The following signal words and meanings are intended to explain the levels of risk associated with the product:

DANGER

Indicates an imminently hazardous situation, which, if not avoided, will result in death or serious injury.

WARNING

Indicates a potentially hazardous situation, which, if not avoided, could result in death or serious injury.

CAUTION

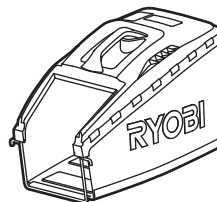
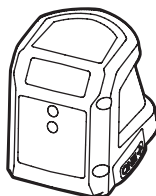
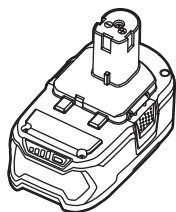
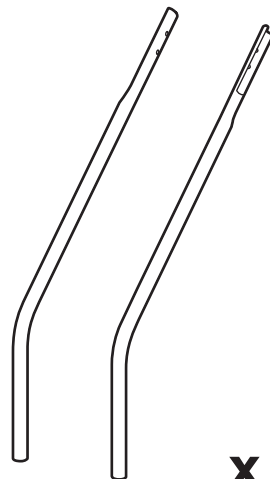
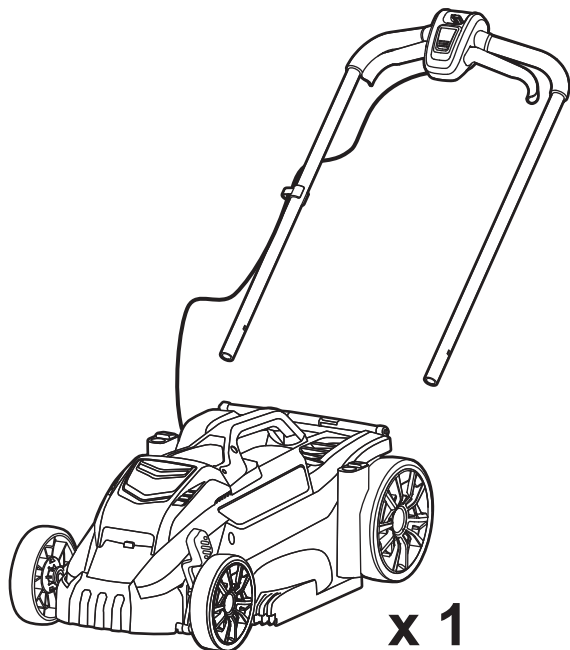
Indicates a potentially hazardous situation, which, if not avoided, may result in minor or moderate injury.

CAUTION

(Without safety alert symbol) Indicates a situation that may result in property damage.

WHAT'S IN THE BOX

RLM18X33S40



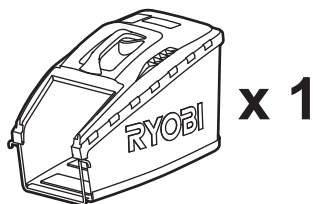
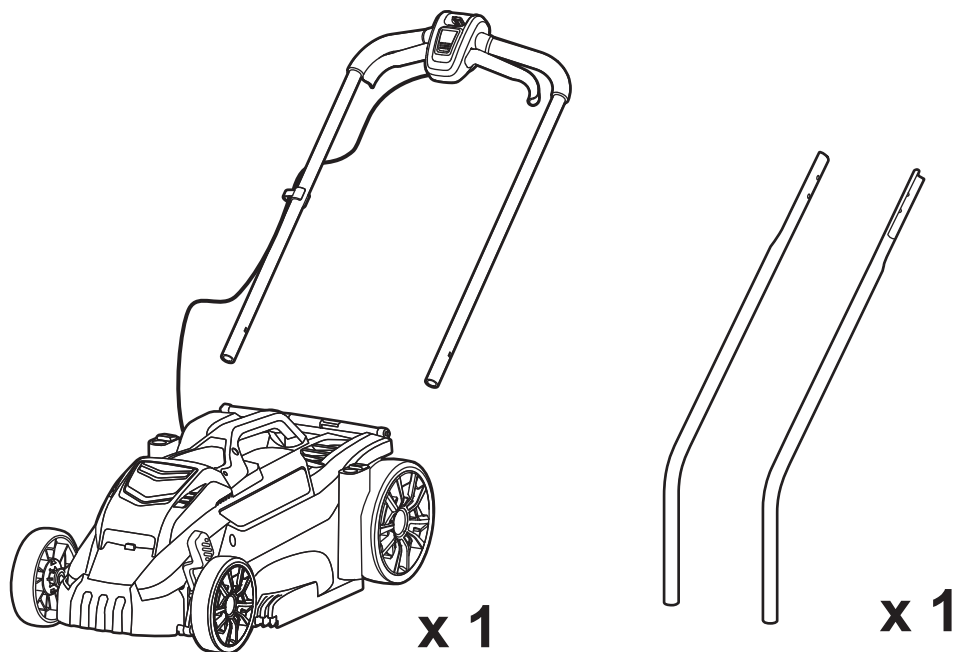
*For blade change



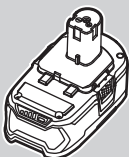
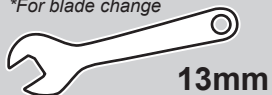
13mm

WHAT'S IN THE BOX

OLM1833S

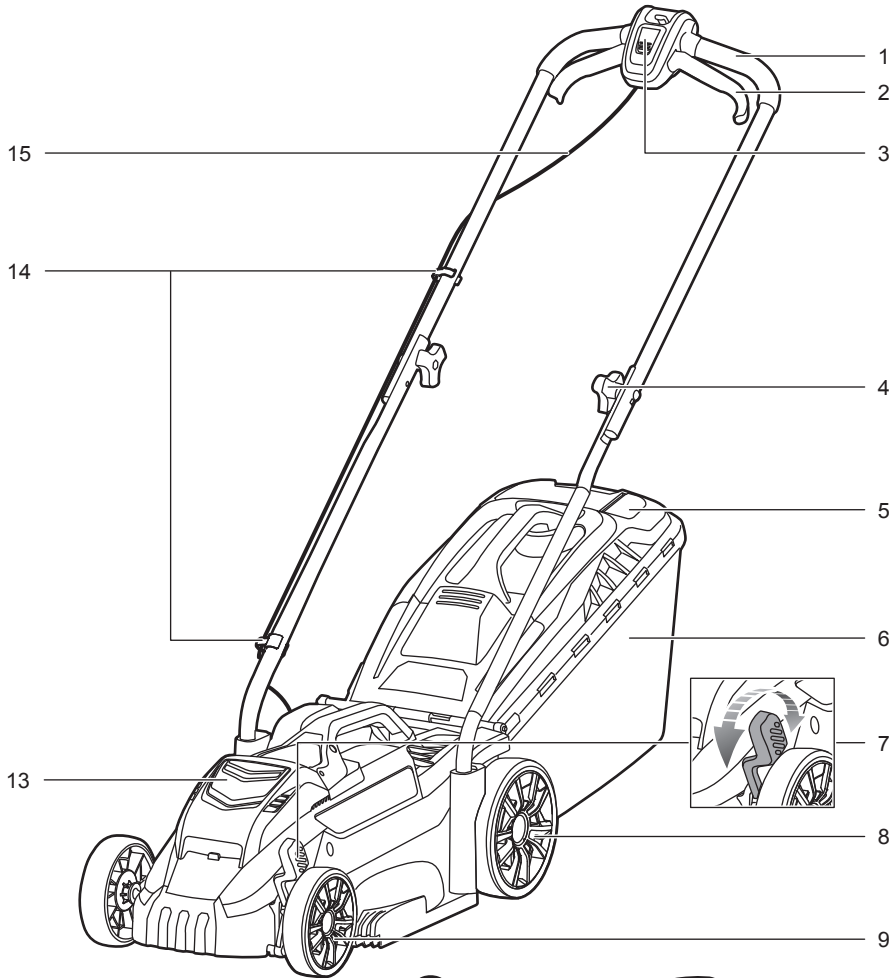


**For blade change*

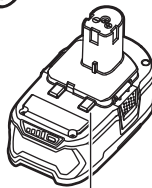


KNOW YOUR PRODUCT

1. Handle
2. On/off trigger
3. Start button
4. Handle knob
5. Grass catcher full indicator
6. Grass catcher
7. Height adjustment lever
8. Rear wheel
9. Front wheel
10. Charger
11. Battery pack
12. Isolator key
13. Battery door
14. Motor control cable retainer
15. Motor control cable



12

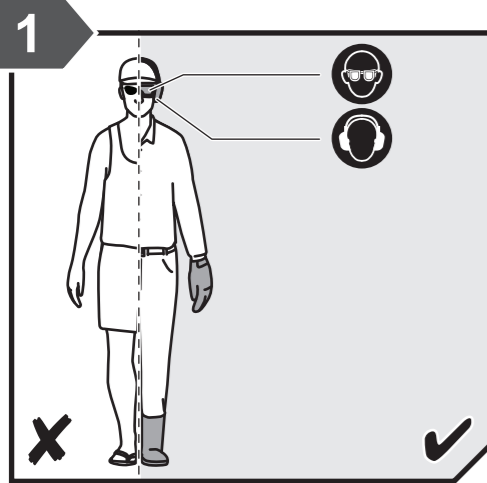


11

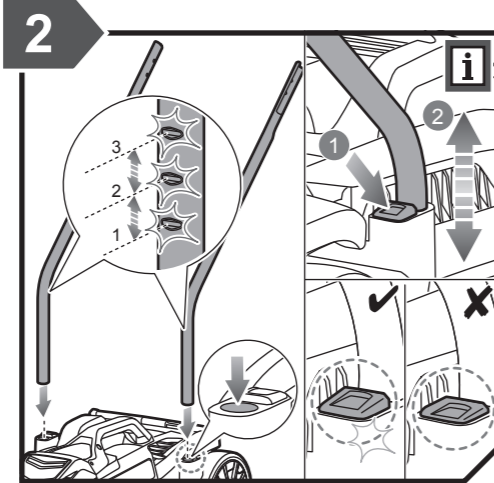


10

GETTING STARTED



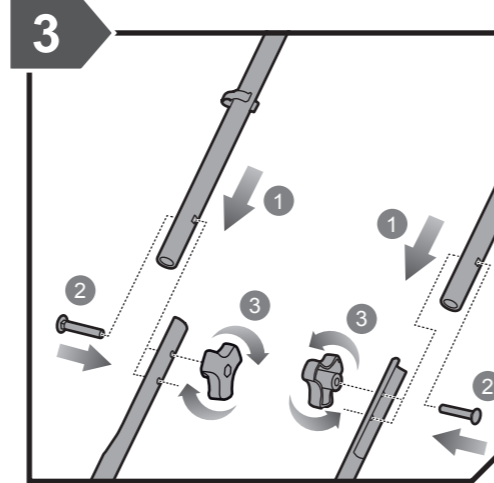
Wear full eye protection, ear protection, non-slip heavy-duty gloves, substantial footwear, and long trousers at all times while operating the product. Do not operate the product when barefoot or wearing open sandals.



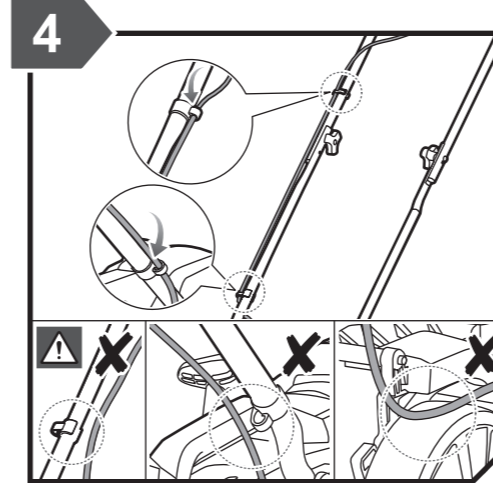
Insert the bottom handles into the lawn mower until these snap in place. The handle has 3 levels of height adjustment.

NOTE: To adjust the handle height, press the handle release button, then pull or push the handles until these snap and lock in place. Make sure that the release button pops up to ensure that the handles are properly secured.

GETTING STARTED



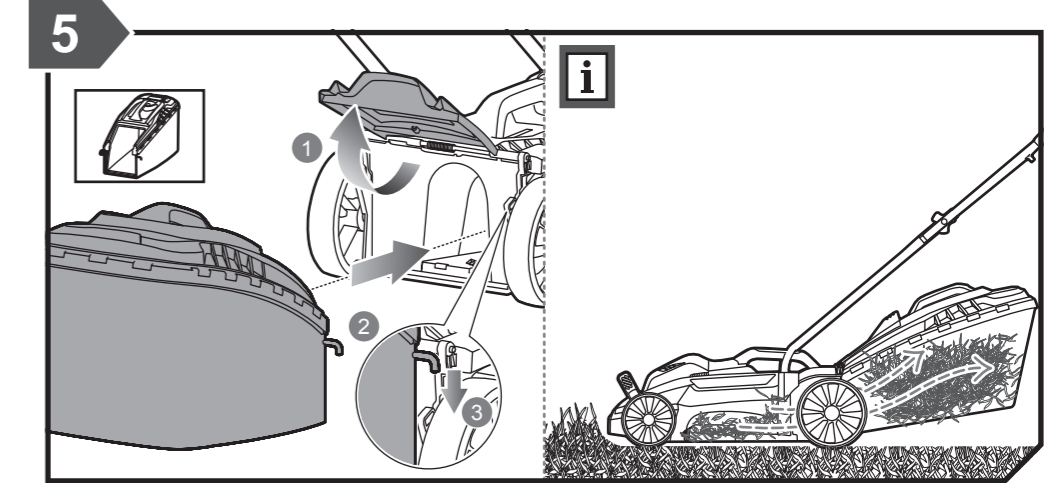
Align the top handle to the bottom handles, and insert the handle locking screws. Install and tighten the handle knobs to secure and lock the handles.



Insert the motor control cable into the motor control cable retainers. Clip the retainers to the right-hand handle, securing the motor control cable.

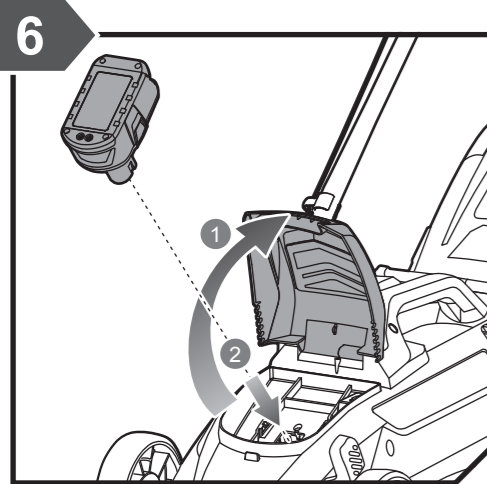
Ensure that the motor control cable is properly routed along the handle. Always make sure that the cable is never trapped, pinched, or damaged during assembly or when folding the handles. Do not turn on the product if the control cable is damaged.

GETTING STARTED

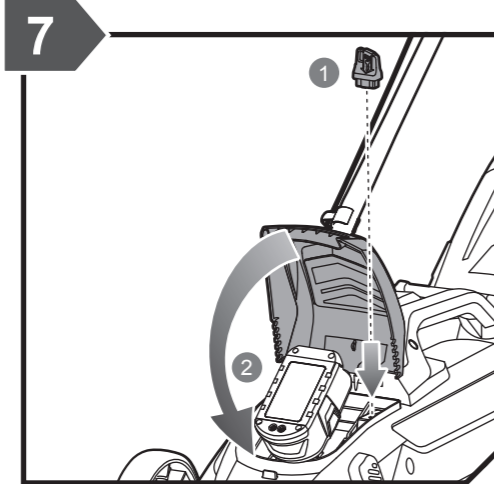


Raise the rear door. Install the grass catcher, hooking it to the product. Ensure that the catcher is secured, then lower the rear door.

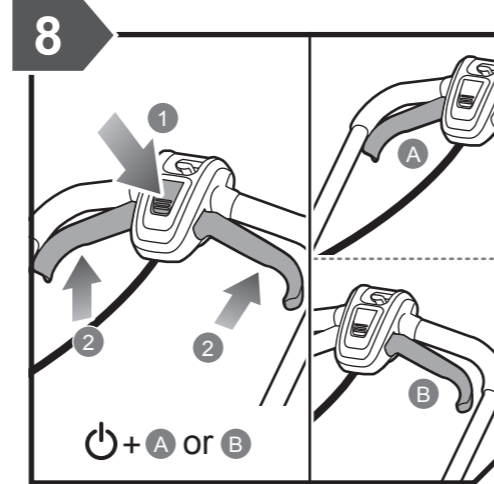
NOTE: The grass catcher collects grass clippings preventing them from being discharged across the lawn while you mow.



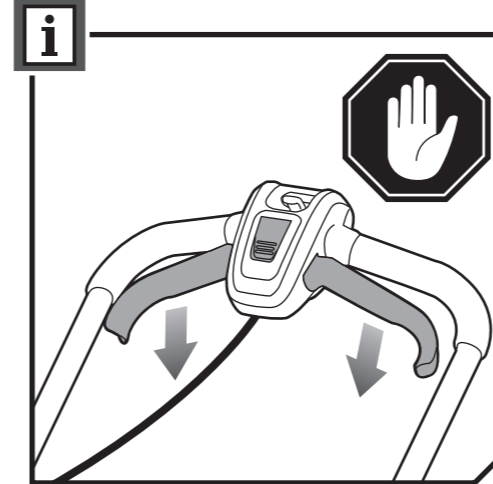
Open the battery door, and insert the battery pack. Make sure that the latch on each side of the battery pack snap in place and that the battery pack is secured before operating the product.



Insert the isolator key, then close the battery door.
NOTE: The product does not start without the isolator key. Ensure that the isolator key is inserted into the product.

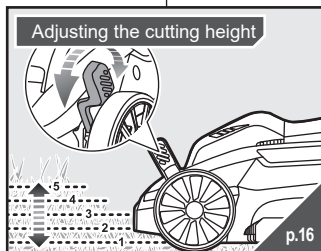
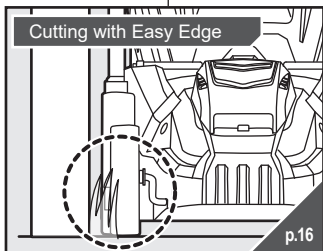
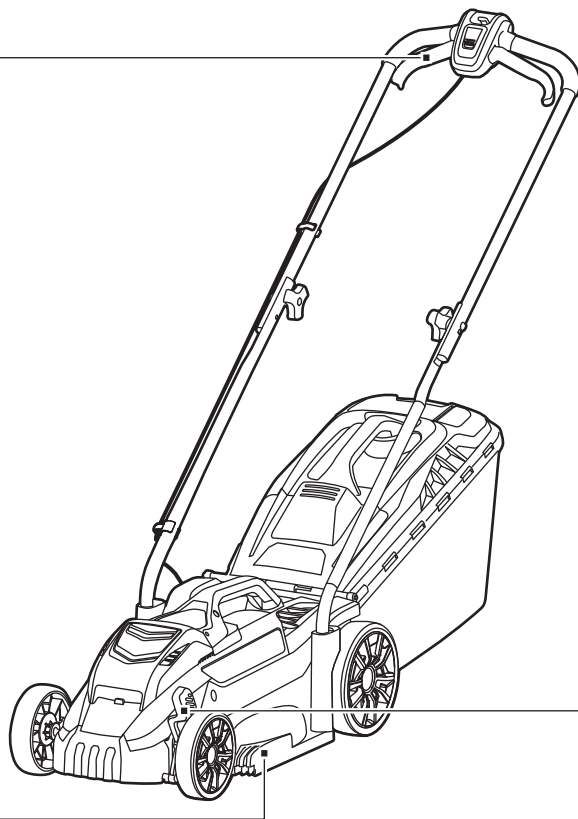
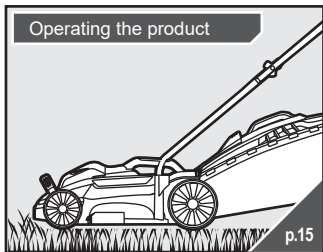


To start the product, press and hold down the start button, then pull and hold either side of the on/off trigger.

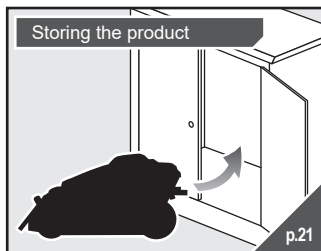
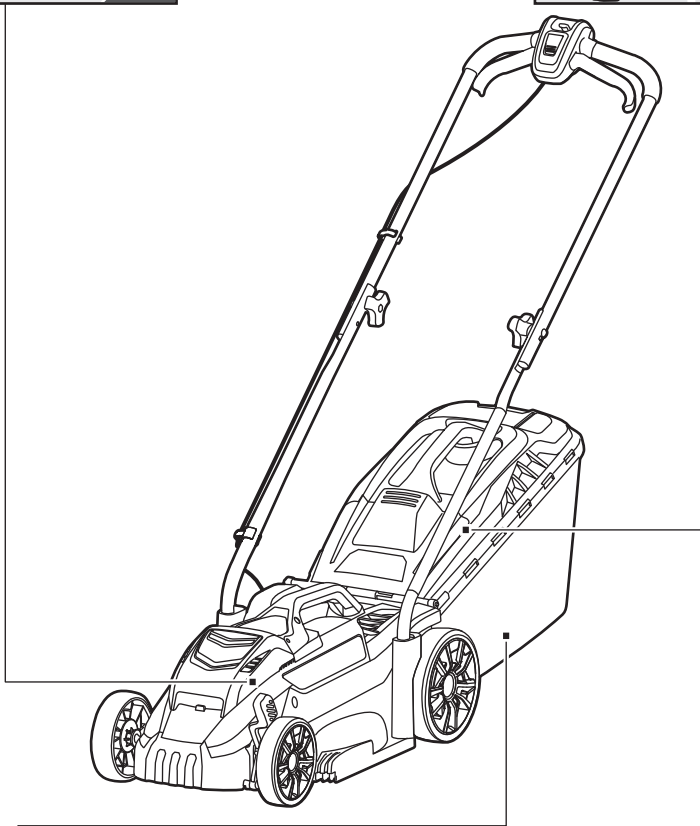
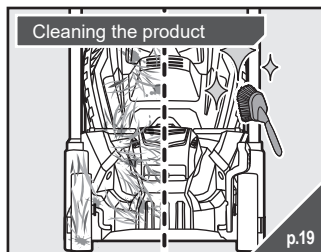
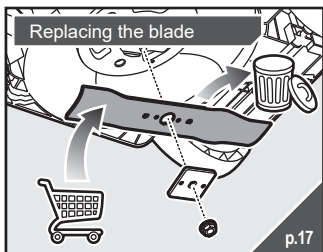


NOTE: The on/off trigger must be continuously held during use. To turn off the product, release the on/off trigger.

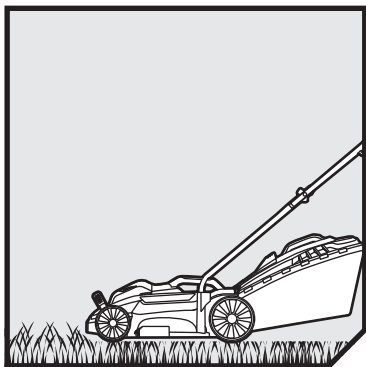
OVERVIEW



OVERVIEW



OPERATION



OPERATING THE PRODUCT

WARNING: Avoid holes, ruts, bumps, rocks, property stakes, or other hidden objects.

WARNING: Do not cut wet grass. Wet grass sticks to the underside of the deck and prevents proper collection or discharge of grass clippings.

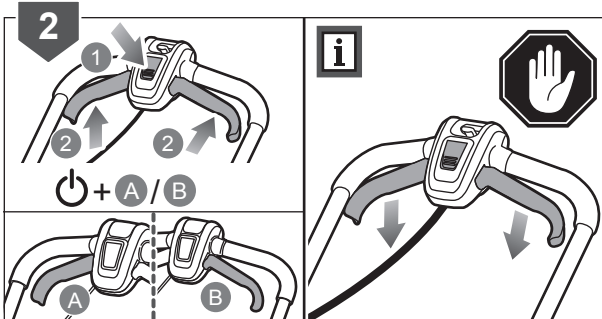
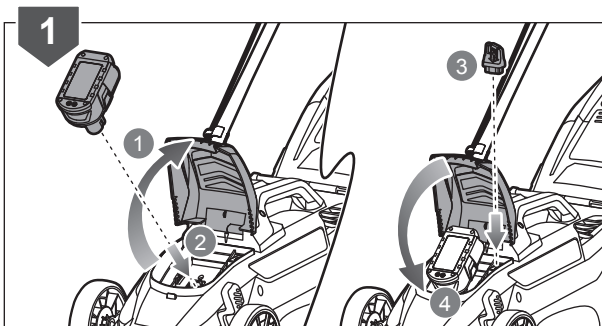
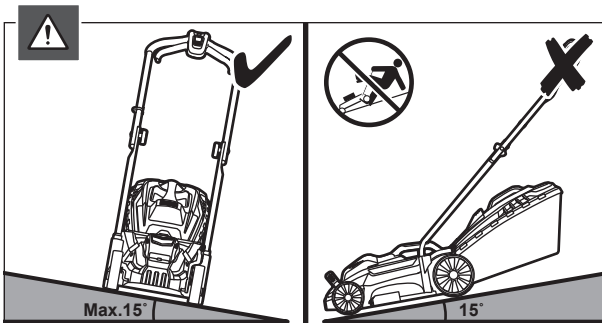
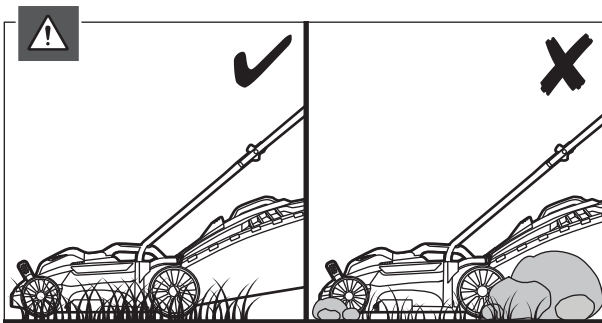
WARNING: Do not operate the product on inclines greater than 15°. Mow across the face of slopes, never up and down.

1. Open the battery door, and insert the battery pack. Make sure that the latch on each side of the battery pack snaps in place and that the battery pack is secured before operating the product. Insert the isolator key. Close the battery door.

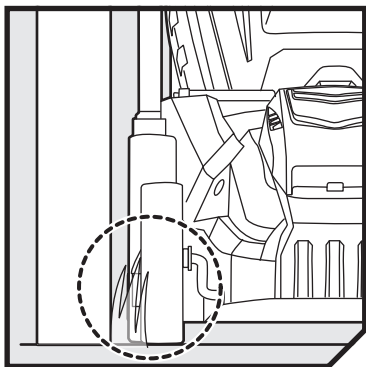
NOTE: The product does not start without the isolator key. Ensure that the isolator key is inserted into the product.

2. Press and hold down the start button, then pull and hold either side of the on/off lever. Release the start button and keep holding the on/off trigger to keep using the product.

NOTE: The on/off trigger must be continuously held during use. Release the on/off trigger to turn off the product.



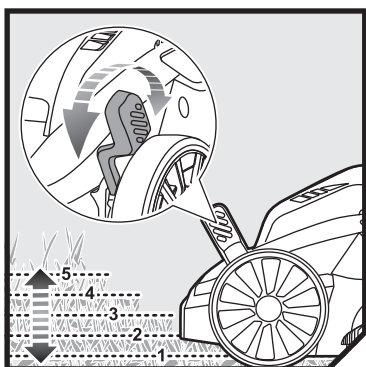
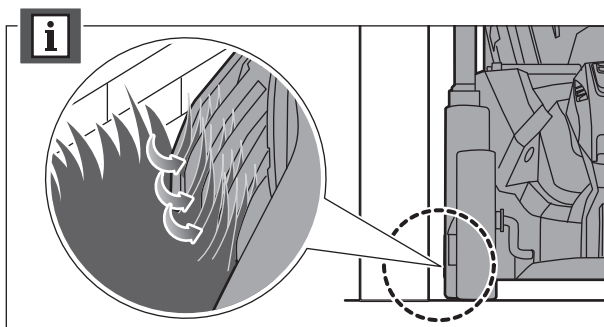
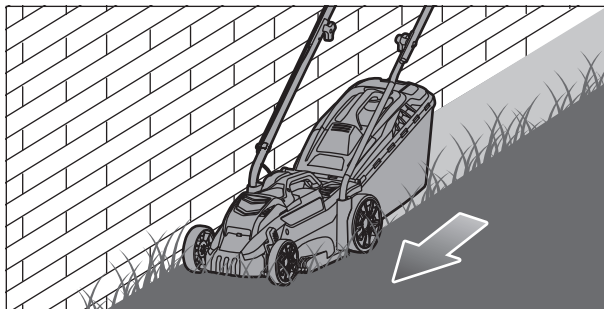
OPERATION



CUTTING WITH EASY EDGE

Easy Edge allows the product to easily cut the grass along walls or the edge of your lawn.

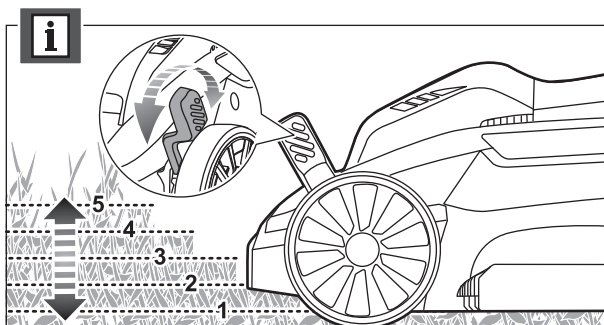
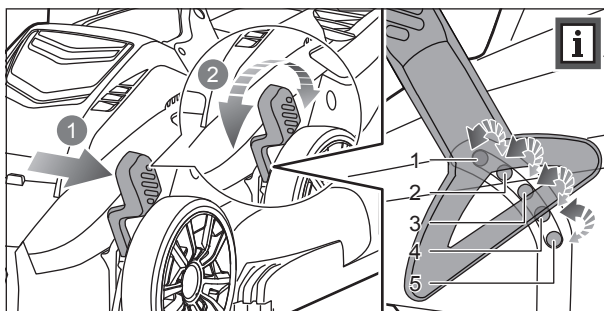
NOTE: The grass comb pulls grass towards the blade when the product is running along a wall.



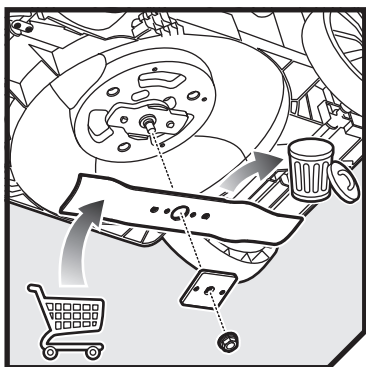
ADJUSTING THE CUTTING HEIGHT

To adjust the deck height, pull the height adjustment lever towards the wheel, then raise or lower the deck to the preferred height. Make sure that the handle is always secured into one of the five height slots.

NOTE: Always begin mowing at the highest cutting setting and gradually adjust the height down when necessary.

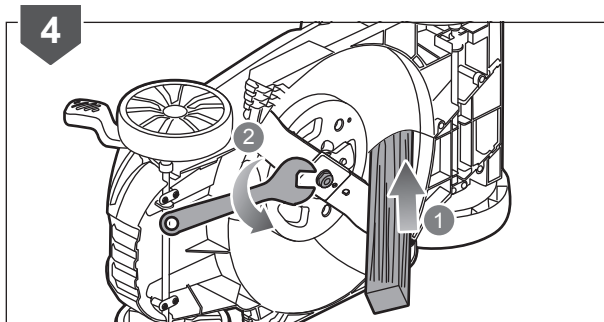
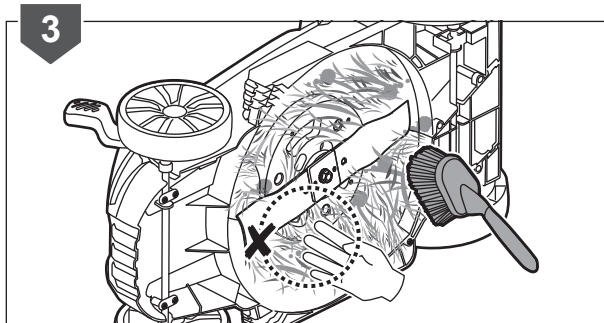
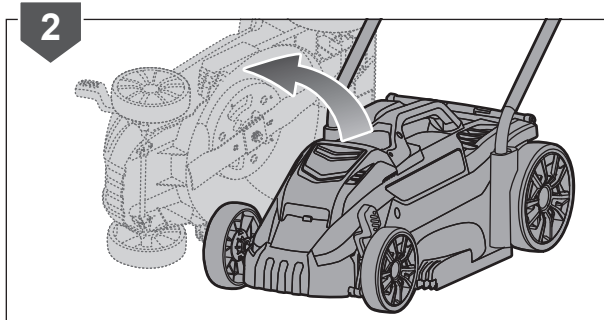
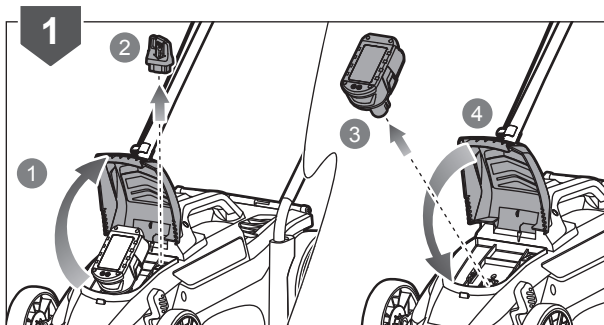


OPERATION



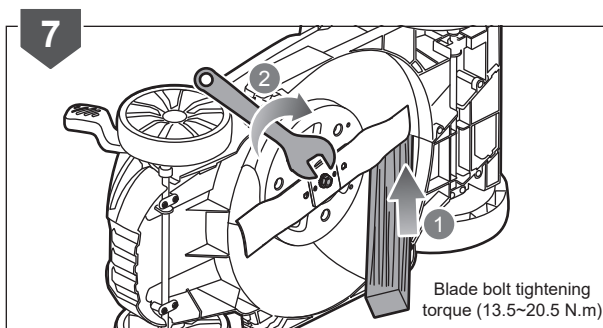
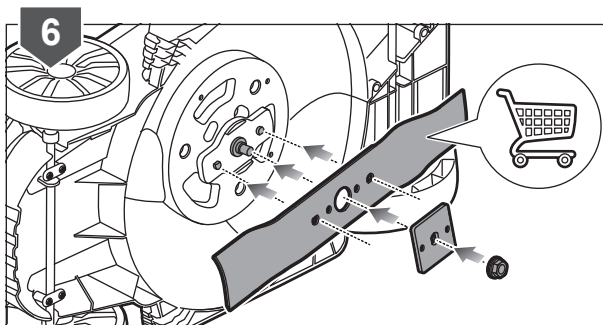
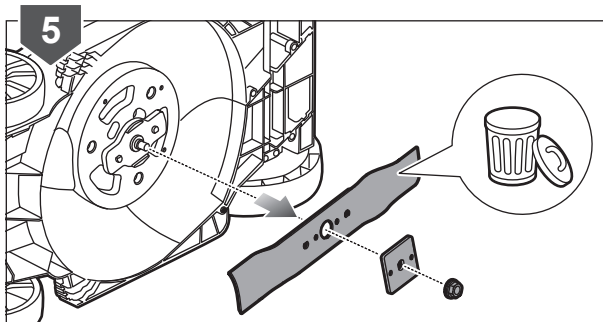
REPLACING THE BLADE

1. Open the battery door. Remove the isolator key and battery pack from the product.
2. Tilt the mower on its side.
3. Clean away debris before changing the blade.
4. Use a wood chock to stop the blade from spinning during loosening and tightening. Loosen the nut using a 13 mm spanner.

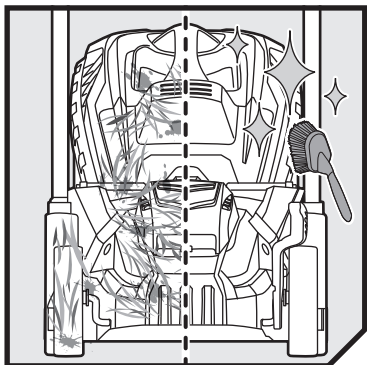


OPERATION

5. Remove and properly dispose of the blade.
6. Install the new blade.
7. Hand-tighten the blade bolt by turning clockwise, then use a 13 mm spanner to further tighten the bolt by 1/2 - 1 turn (13.5~20.5 Nm torque).



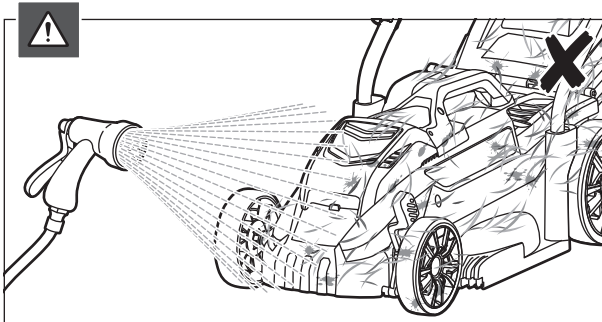
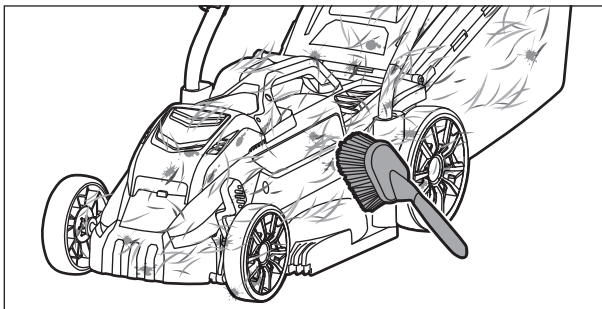
MAINTENANCE

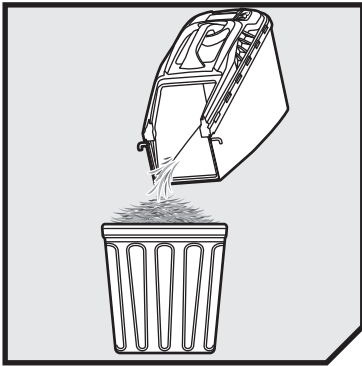


CLEANING THE PRODUCT

After each use, clean the plastic parts with a soft, dry cloth and other parts of the product with a soft-bristle brush.

WARNING: Do not use water to clean the product.



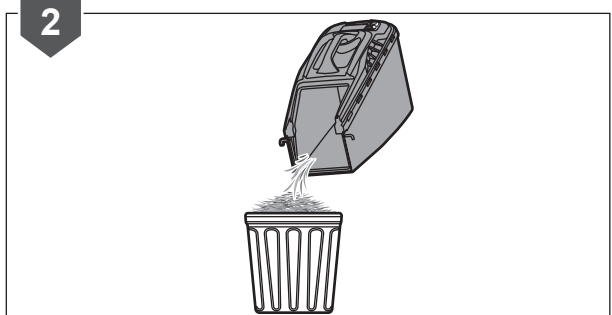
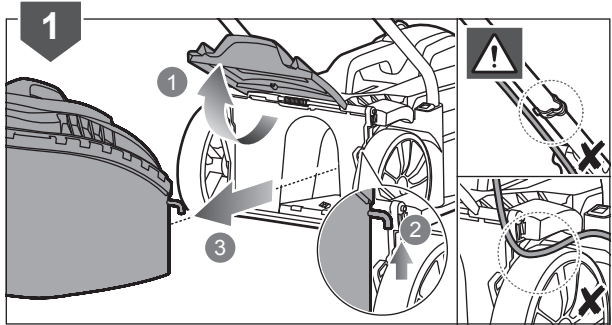
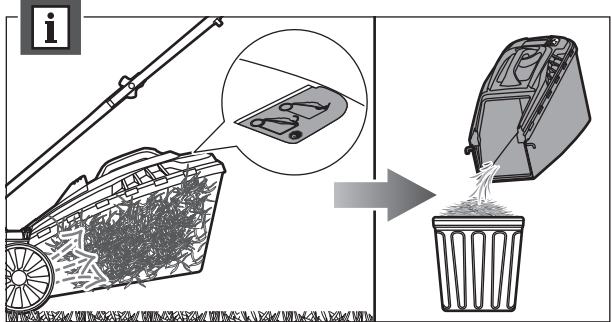
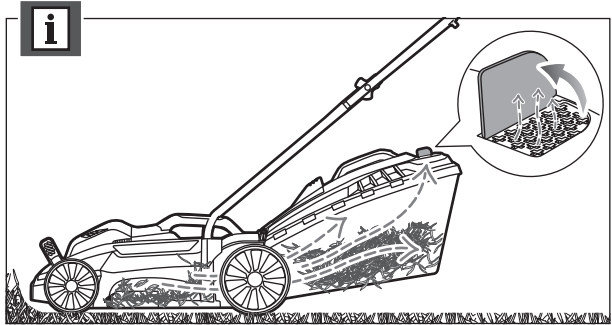


EMPTYING THE GRASS CATCHER

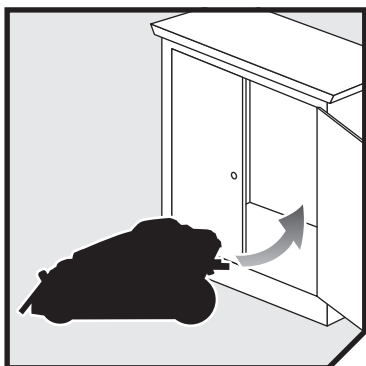
NOTE: When the indicator flap is up, the grass catcher can still store grass clippings.

NOTE: When the indicator flap is down, the grass catcher is full and needs to be emptied.

1. Raise the rear door. Remove the grass catcher.
2. Empty the grass clippings into a bin.



STORAGE

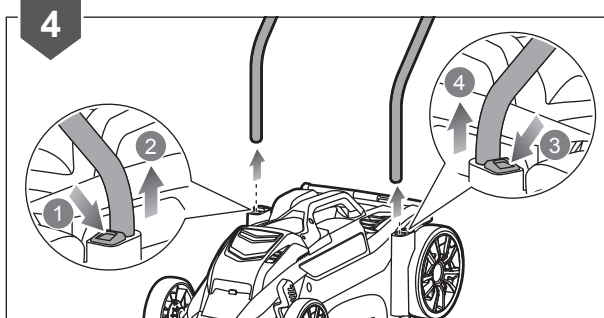
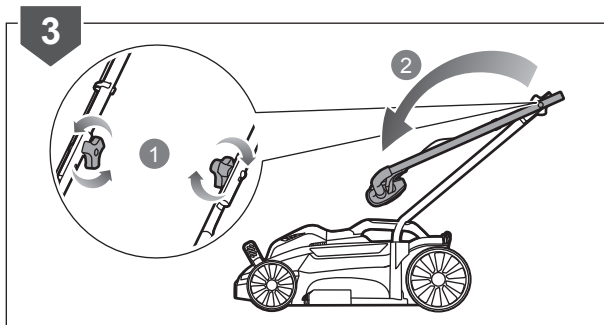
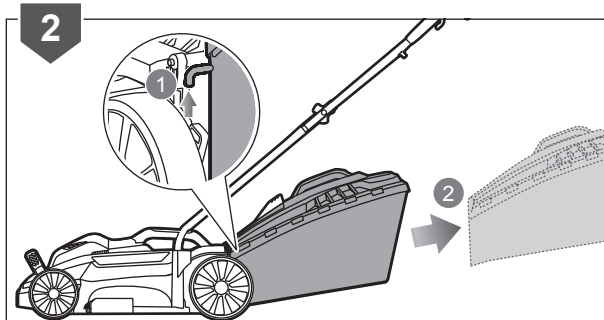
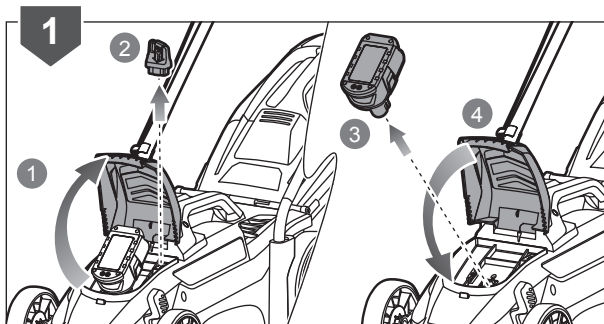


STORING THE PRODUCT

1. Open the battery door. Remove the isolator key and battery pack. Close the battery door.
2. Remove the grass catcher.
3. Loosen the handle knobs, and fold down the top handle.

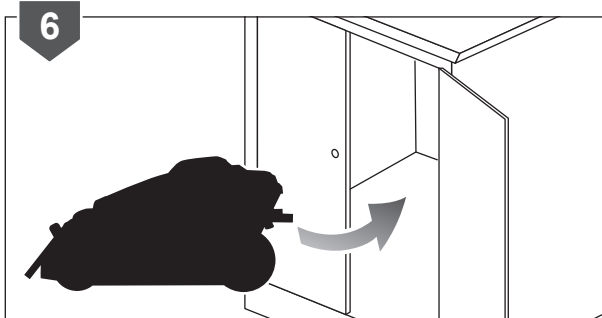
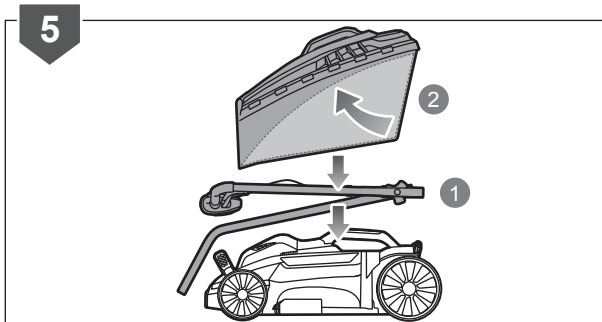
NOTE: Make sure that the motor control cable is never trapped, pinched, or damaged when folding the handles.

4. On each side of the bottom handle, press the handle release button and pull out the handle from the product.



STORAGE

5. Place the folded handle and grass catcher on top of the product.
6. Store the product in a cool, dry, and well-ventilated place that is inaccessible to children. Keep the product away from corrosive agents such as garden chemicals and de-icing salts. Do not store the product outdoors.



PRODUCT SPECIFICATIONS

Product name	Cordless Lawn Mower	
Model	RLM18X33S40 / OLM1833S	
Rated voltage	18 V d.c.	
Ingress protection	IPX1	
Width of cut	33 cm	
Height of cut	25-65 mm	
No-load speed	4200 min ⁻¹	
Weight (without battery)	10 kg	
Grass catcher capacity	35 L	
Blade bolt tightening torque	13.5~20.5 Nm	
Vibration level (in accordance with Annex FF of EN 60335-2-77)		
Right handle	2.1 m/s ²	
Left handle	2.4 m/s ²	
Uncertainty of measurement	1.5 m/s ²	
Declared vibration value	3.9 m/s ²	
Noise emission level (in accordance with Annex GG of EN 60335-2-77)		
A-Weighted sound pressure level at operator's position	77.7 dB(A)	
Uncertainty of measurement	2.5 dB	
A-Weighted sound power level	89.96 dB(A)	
Uncertainty of measurement	1.75 dB	
Noise emission level (in accordance with ISO 3744)		
A-Weighted sound power level	94 dB(A)	

BATTERY AND CHARGER

Model	RLM18X33S40	OLM1833S
Battery pack	RB18L40A	-
Weight	0.73 kg	-
Charger	RC18115	-
Compatible battery packs	RB18L13, RB18L15, RB18L15A, RB18L20, RB18L20A, RB18L25, RB18L26, RB18L40, RB18L40A, RB18L50, RB18L50A, RB18L60A, RB18L90A	
Compatible charger	BCL14181H, BCL14183H, BCS618G, RC18115, RC18120, RC18150U, RC18627U,	
Compatible charger for in-vehicle charging via 12V DC outlets	BCL1418IV	

REPLACEMENT PART

Blade	RAC431 (682072)
-------	-----------------

VIBRATION LEVEL

⚠ WARNING

The declared vibration value has been measured with a standard test method and may be used to compare one tool with another.

The declared vibration value may be used in a preliminary assessment of exposure.

The vibration emission during actual use of power tool can differ from the declared total value depending on the ways in which the tool is used.

Identify safety measures to protect yourself based on an estimation of exposure in the actual conditions of use, taking account of all parts of the operating cycle such as the times when the tool is switched off and when it is running idle in addition to the trigger time.







RYOBI is a trade mark of Ryobi Limited, and is used under license.

© 2018-20 Techtronic Cordless GP.

Imported by:

Techtronic Industries Australia Pty Ltd
31 Gilby Road, Mount Waverley, VIC 3149,
Melbourne, Australia

Techtronic Industries N.Z. Limited
Unit C, 70 Business Parade South,
Highbrook, Auckland 2013, New Zealand

099116029001-01