

2 DOOR CUPBOARD ASSEMBLY GUIDE

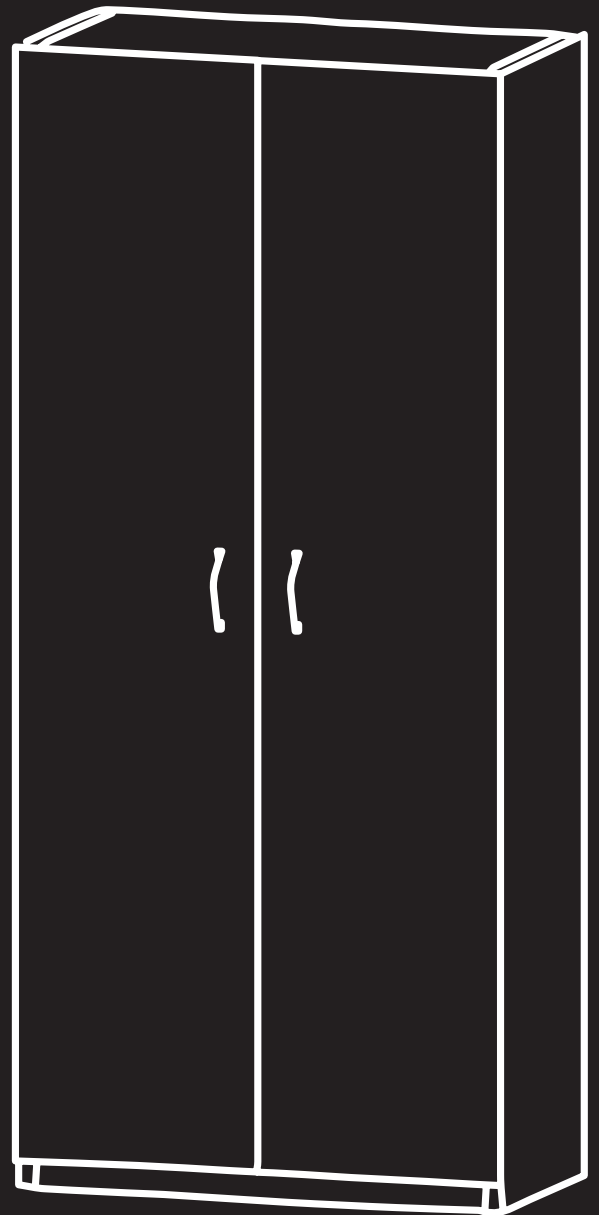
IMPORTANT

Before commencing assembly:

- Read all instructions COMPLETELY.
- Hardware kit contains small parts; keep out of reach of children.
- Ensure all listed parts are present.
- Required tools to assemble: Phillips head screwdriver, drill and hammer.
- Assemble on a clean, dry, smooth surface.
- Ensure all edged surfaces are facing to the front of the unit.

CUSTOMER SERVICE ENQUIRIES

customerservice@dovetail.com.au



PRACTA
SOLUTIONS™

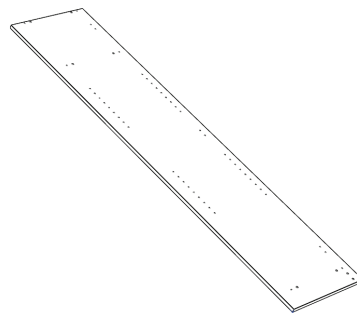
2 DOOR CUPBOARD ASSEMBLY GUIDE

CARE INSTRUCTIONS

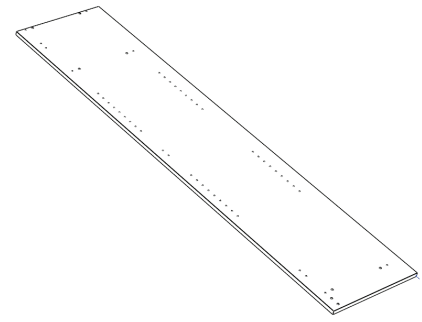
- To clean use soft, dry, cloth
- Do not use detergent or chemical
- Avoid contact with water and direct sunlight

MAXIMUM LOAD

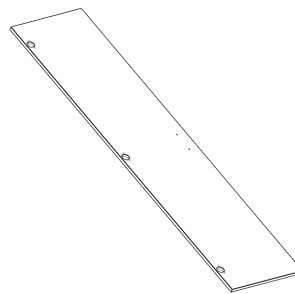
Each shelf is designed to take a maximum load of 15kg spread **EVENLY** across the shelf.



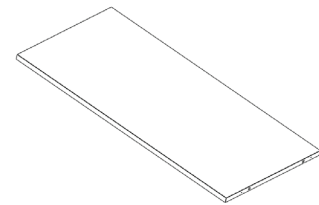
1 RH Panel x 1
(1800mm x 390mm)



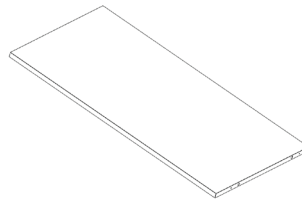
2 LH Panel x 1
(1800mm x 390mm)



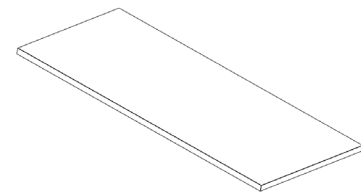
3 Doors x 2
(1728mm x 397mm)



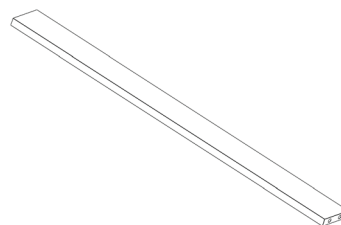
4 Top/Bottom Shelf x 2
(770mm x 390mm)



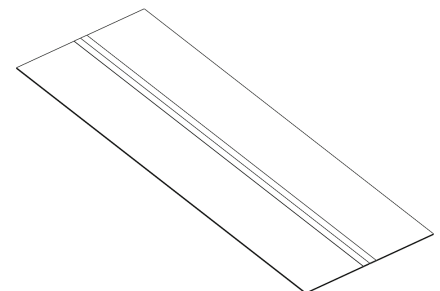
5 Internal Fixed Shelf x 1
(770mm x 368mm)



6 Adjustable Shelf x 2
(768mm x 368mm)

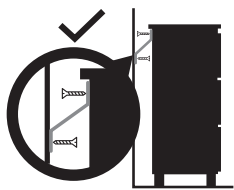


7 Toe Rail x 1
(770mm x 75mm)



8 Back Panel x 1
(1728mm x 796mm)

⚠ WARNING

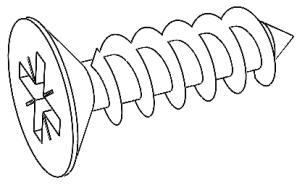


Children have died from furniture tipover.

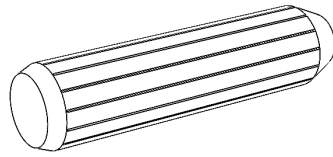
- ALWAYS secure this furniture with an anchor device.
- NEVER allow children to stand, climb or hang on draws, doors or shelves.
- NEVER open more than one drawer at a time.
- Place heavy items down low.

NEVER put a TV on this furniture

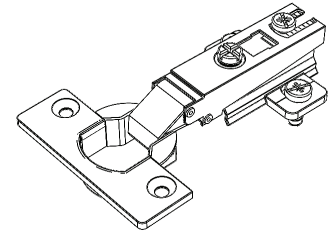




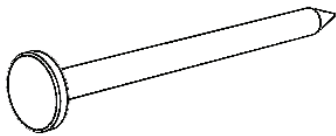
A 14mm screw x 12



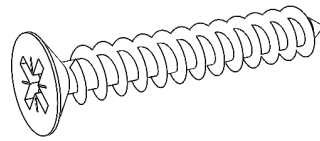
B Dowel x 16



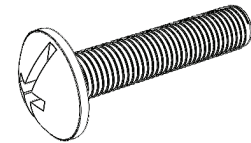
C Hinge x 6



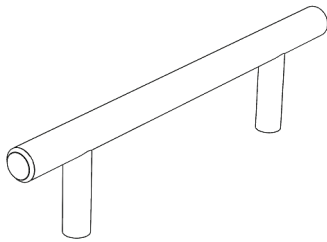
D Nail x 50



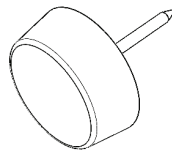
E 45mm screw x 12



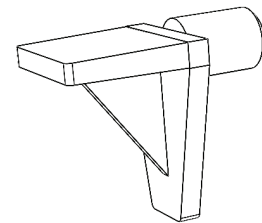
F Handle screw x 4



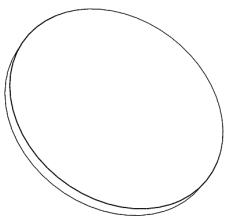
G Handle x 2



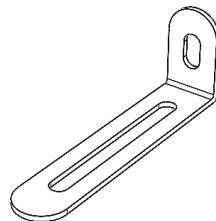
H Nail-on glide x 4



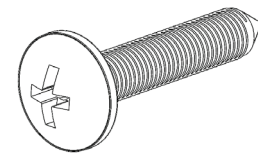
I Shelf support x 8



J Adhesive cover cap x 12

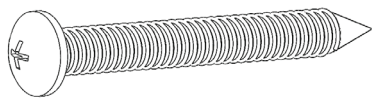


K Wall bracket x 2



L 12mm screw x 4

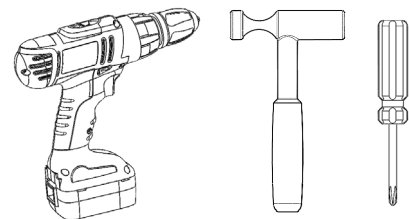
TOOLS REQUIRED



M 40mm screw x 2

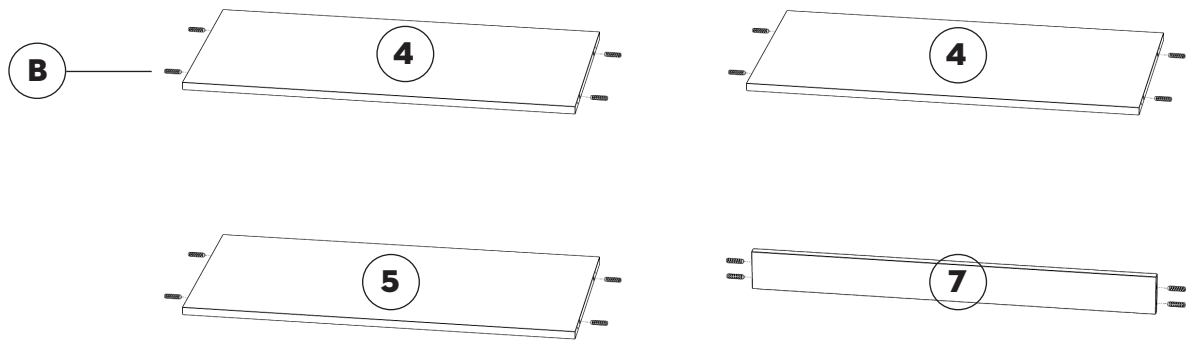


N Wall plug x 2



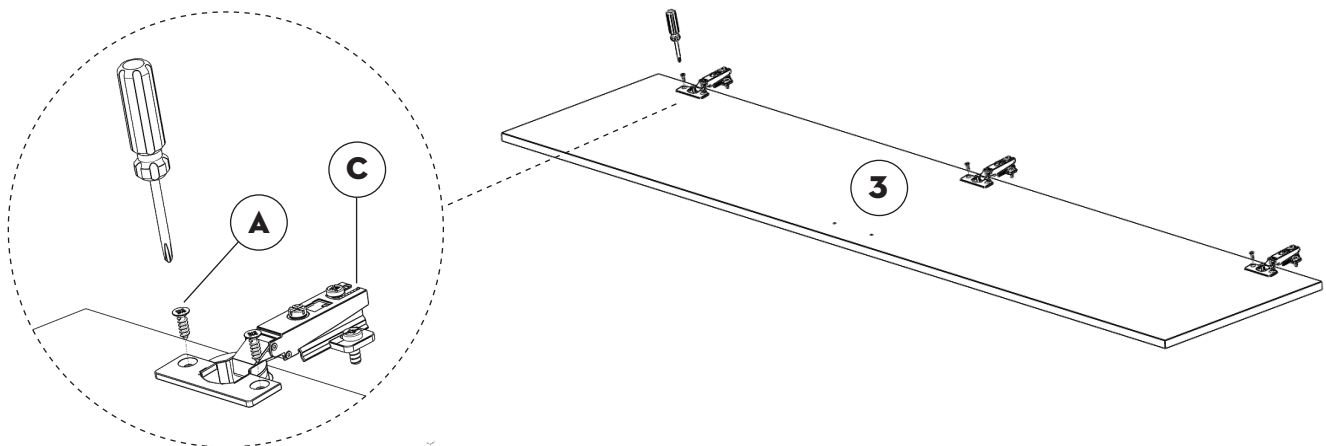
STEP 1

Insert 4x dowels (B) into each board.



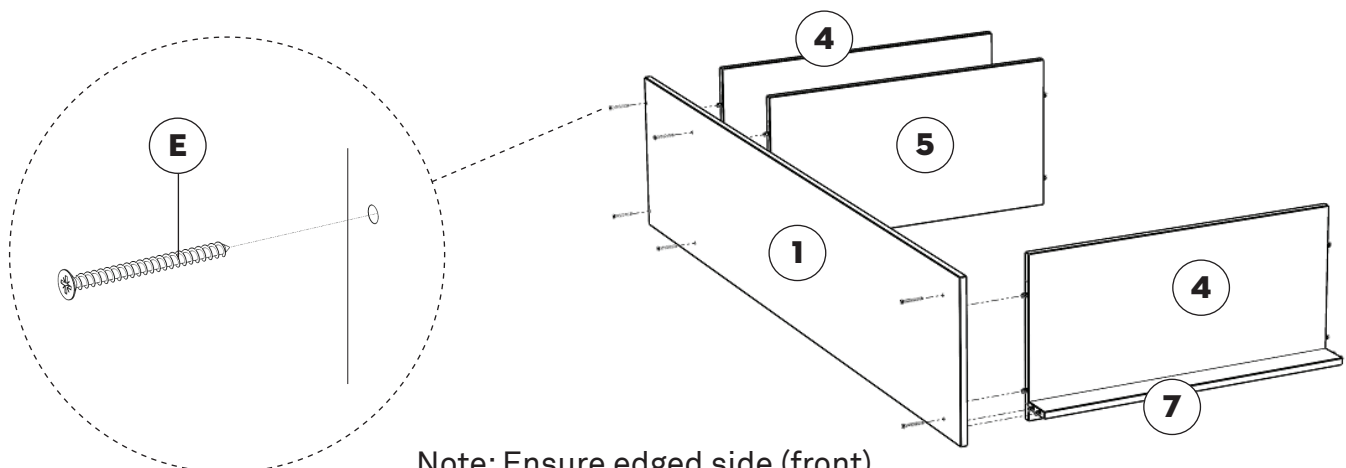
STEP 2

Using screw (A) attach 3 x hinges (C) onto each door (3) using pre-drilled holes.



STEP 3

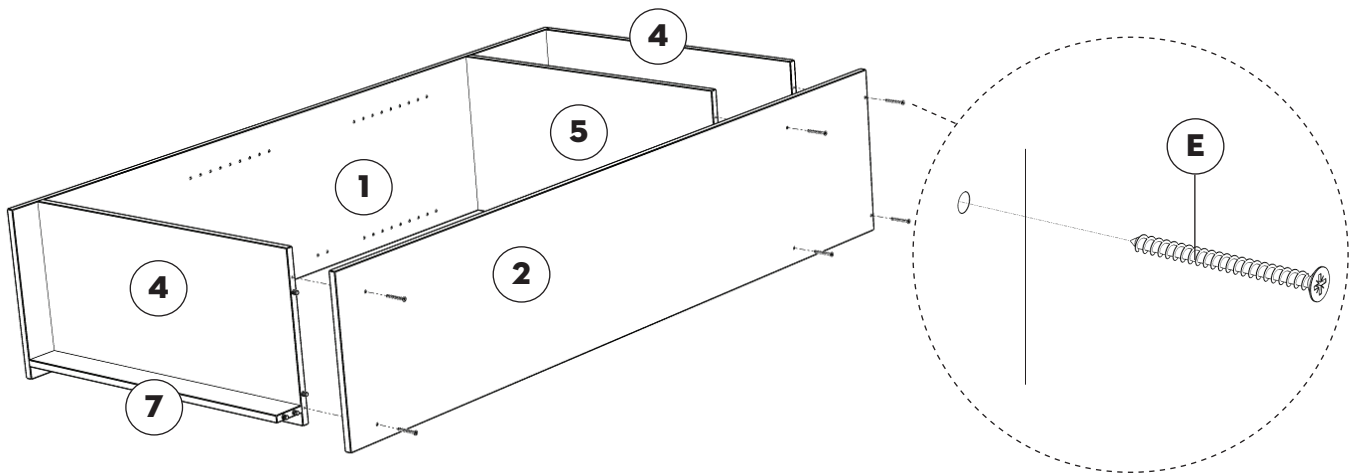
Attach top shelf (4), internal fixed shelf (5), bottom shelf (4), and toe rail (7) to RH panel (1) using screw (E).



Note: Ensure edged side (front) of all panels are face down

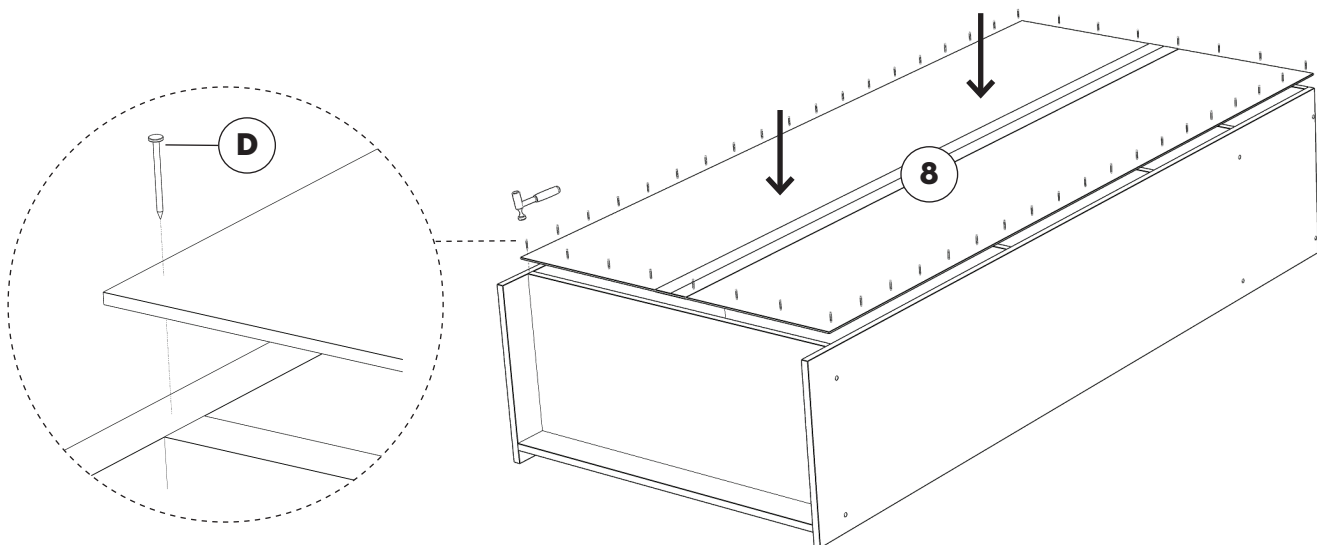
STEP 4

Attach LH panel (2) using screw (E).



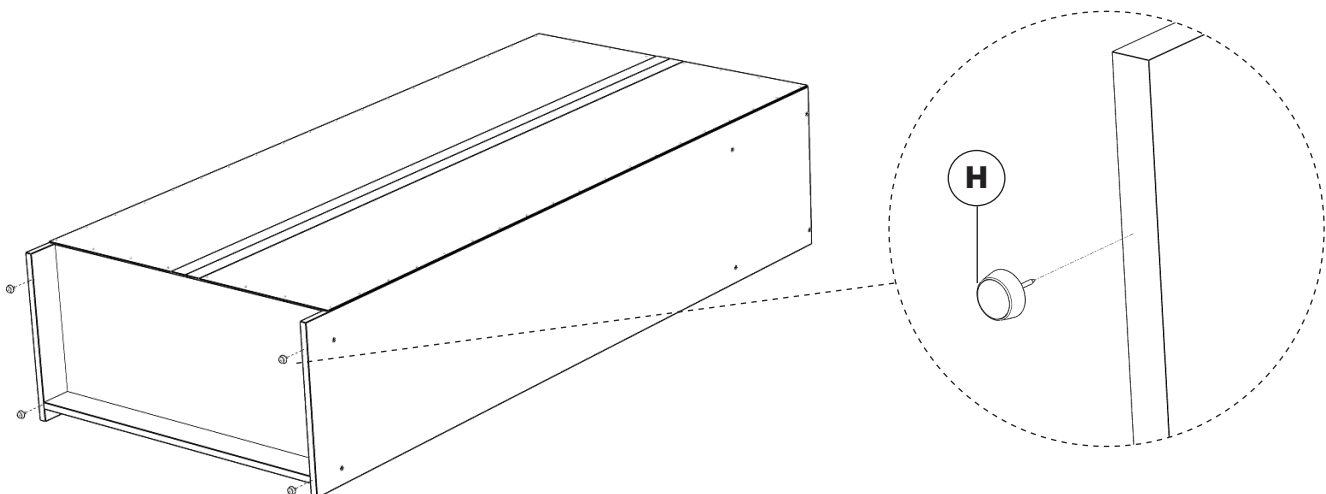
STEP 5

Attach back panel (8) to rear of cupboard using nail (D).



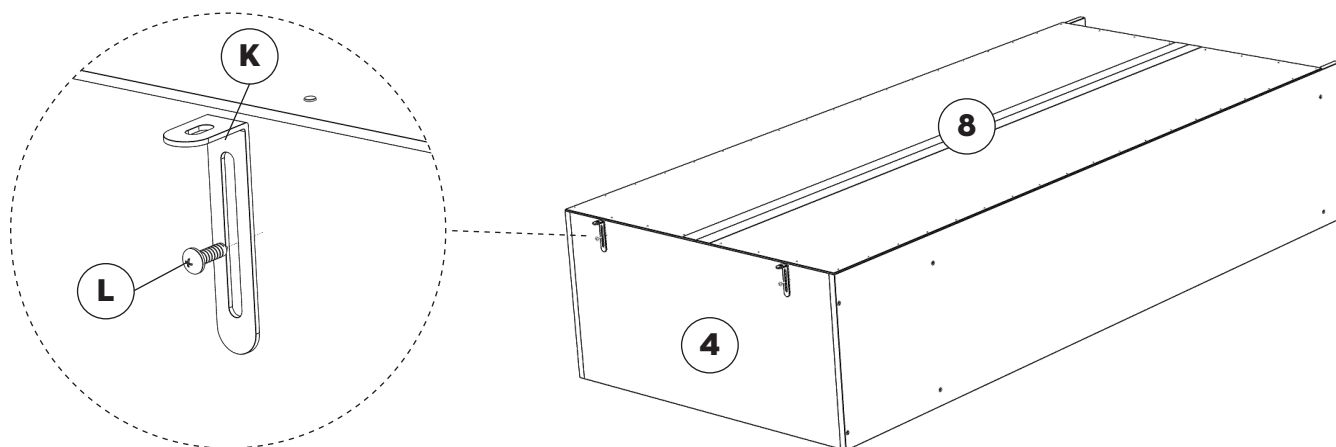
STEP 6

Attach 4 x nail-on glide (H) to base of cupboard.



STEP 7

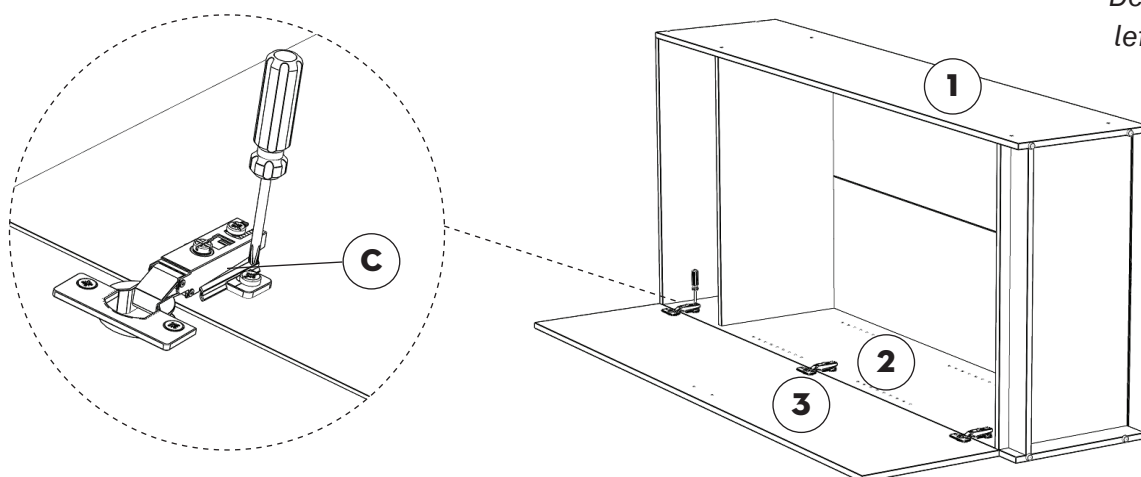
Attach wall bracket (K) to top of cupboard using screw (L).



STEP 8

Attach door (3) onto LH panel (2).

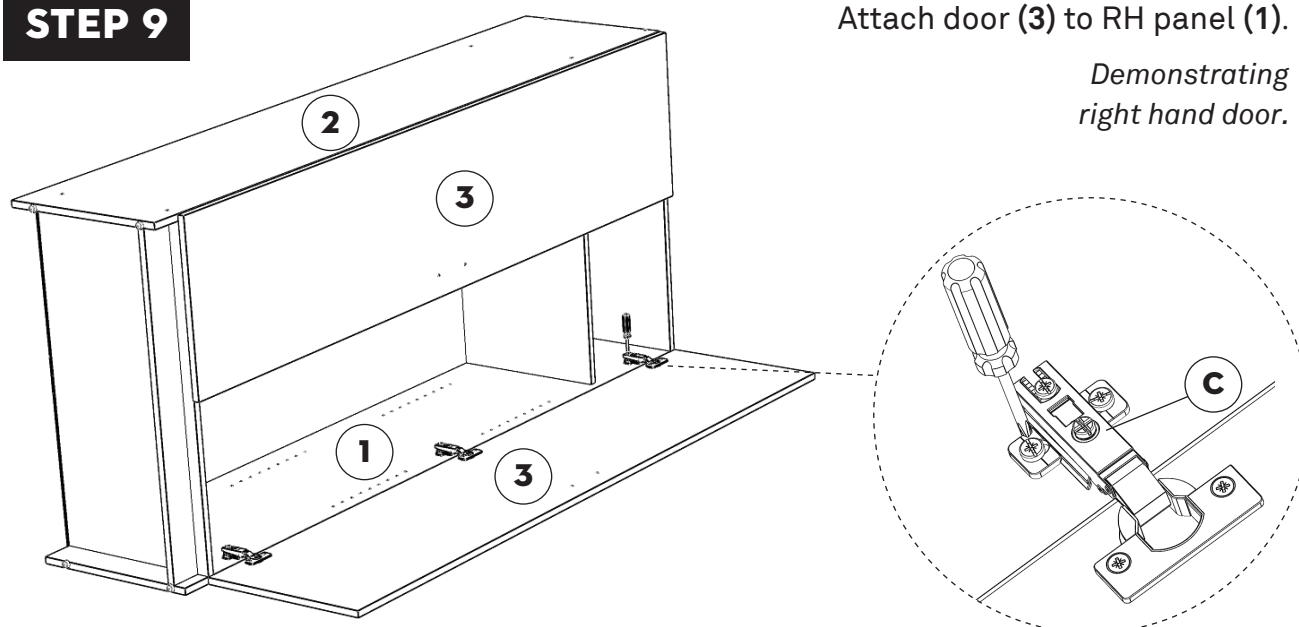
Demonstrating left hand door.



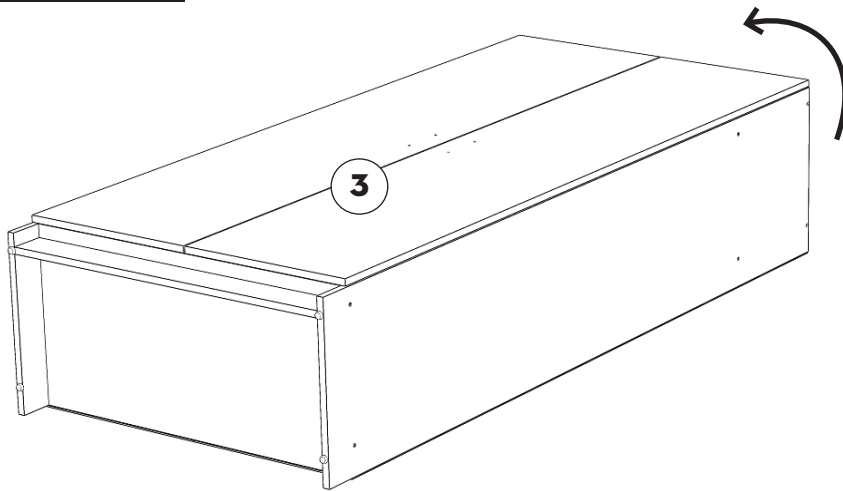
STEP 9

Attach door (3) to RH panel (1).

Demonstrating right hand door.



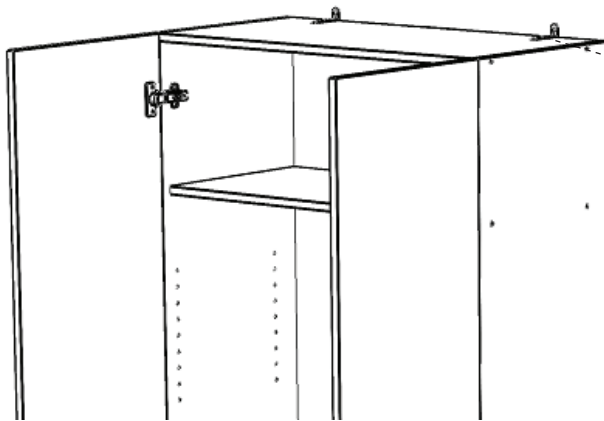
STEP 10



2 people required to stand cupboard upright.

Turn cupboard onto back panel before lifting.

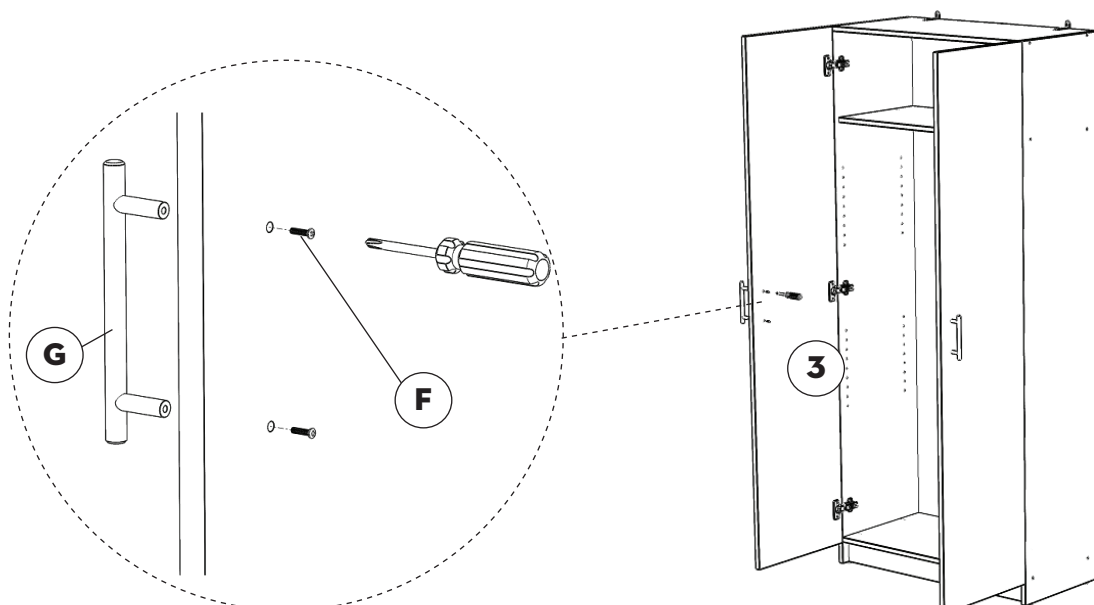
STEP 11



Adjust wall bracket (K) and attach cupboard to the wall as required.

STEP 12

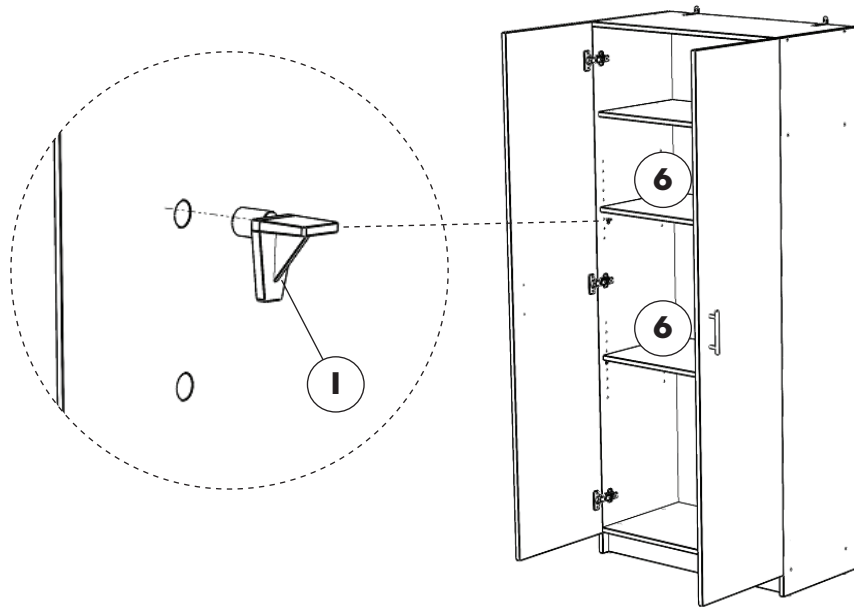
Attach handle (G) to door using handle screw (F) into pre-drilled holes.



STEP 13

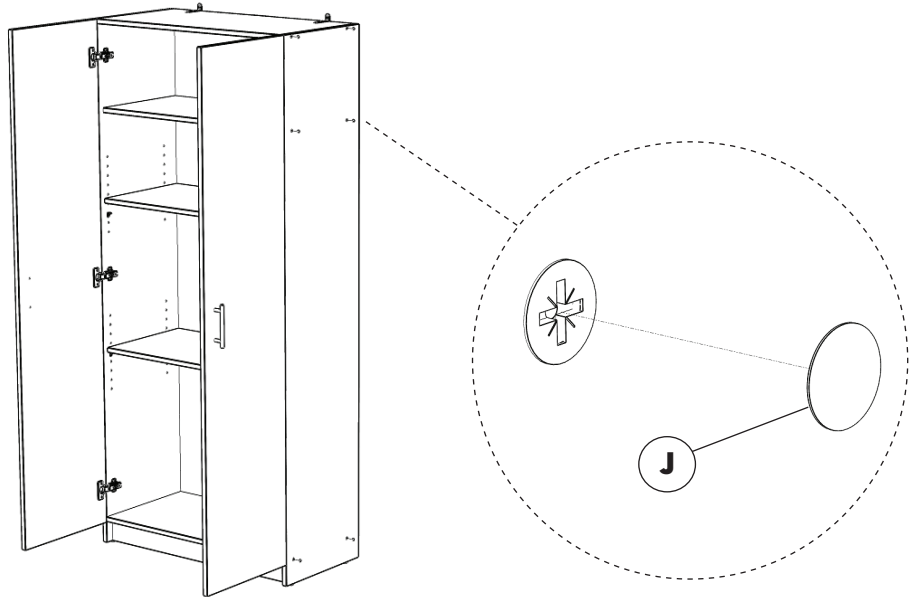
Insert shelf supports (I).

Then place
2 x adjustable
shelves (6)
onto supports.



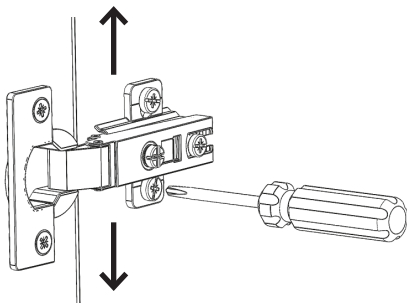
STEP 14

Place adhesive
cover caps (J)
over
exposed screws

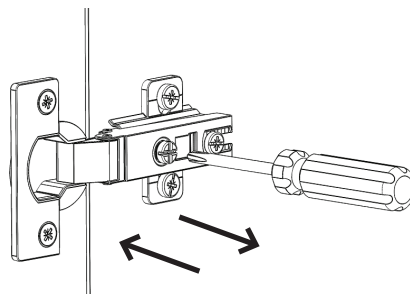


STEP 15

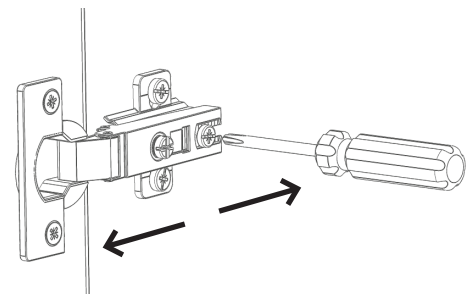
Height adjustment.



Sideways adjustment.



Depth adjustment.



Note: Make small adjustments during fitting,
and close door to test gap with each adjustment.