

click®

10CM RECHARGEABLE HANDHELD FAN

3 SPEED SETTINGS



INSTRUCTION MANUAL

Item No. 0808506

IMPORTANT SAFEGUARDS

When using electrical appliances, basic precautions should always be followed to reduce the risk of fire, electric shock and injury to persons, including the following:

FOR YOUR SAFETY

Read all instructions carefully, even if you are quite familiar with the appliance.

- To prevent fire or shock hazard, do not expose this appliance to rain or moisture.
- Dangerous high voltages are present inside this enclosure. To avoid electric shock, do not open the enclosure. Refer servicing to qualified personnel only.
- This appliance is intended for indoor use only and not for commercial, industrial or outdoor use. Other use not recommended may cause fire, electric shock or injury.
- To protect against fire, electrical shock and injury to persons, do not immerse the appliance in water or spray it with liquids.
- This appliance shall not be exposed to dripping or splashing. Do not place the fan close to an open window. Rain splashing on the fan could cause an electric shock hazard.
- Ventilation should not be impeded by covering the ventilation openings. Slots and openings are provided for ventilation to ensure reliable operation of the product and to protect it from overheating.
- Charge the fan with a minimum 5V DC output via a 100-240V electrically approved USB charger (not supplied), a power board with USB ports (not supplied), a 5V DC USB car charger (not supplied), a power bank with 5V DC output (not supplied) or other similar devices.
- Disconnect the USB cable from the product when the product is fully charged or no longer in use.
- Do not use the product with a damaged USB cable or USB charger (not supplied).
- Do not operate the fan in the presence of explosive and/or flammable fumes. Do not place the fan or any parts near an open flame, cooking or other heating appliance. Never place the appliance where it could be subject to mechanical vibration/shock or excessive dust.
- Do not use fan near curtains, plants, window treatment, or where other objects can become caught in the blades. Do not let the cable hang over the edge of a table or counter or let it touch any hot surfaces.
- This appliance is not intended for use by persons (including children) with reduced physical, sensory or mental capabilities, or lack of experience and knowledge, unless they have been given supervision or instruction concerning use of the appliance by a person responsible for their safety.
- Children should be supervised to ensure that they do not play with the appliance.
- Do not leave the appliance running or operable in a place where young children or animals could have access to it without supervision.
- Turn the fan off and unplug it from the outlet when it is not in use, when moving fan from one location to another and before cleaning.
- Do not operate the fan with a damaged cord or plug, after a malfunction or if it is dropped or damaged in any manner.
- Do not attempt to repair, disassemble or modify the appliance. There are no user- serviceable parts inside.
- Do not immerse the USB cable or charger (not supplied) in water or any other liquid.
- This product is NOT a toy. Keep out of reach of small children. Young children should be supervised to ensure that they do not play with this product.

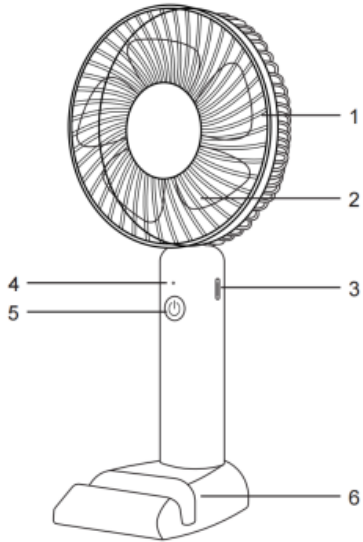
WARNING:

- Avoid contact with moving parts. Do not insert fingers or allow foreign objects to enter the grille openings as this may cause damage to the appliance and/or injury to the user.
- Do not use the fan unless it is fully assembled. The fan must operate standing upright.
- Do not operate without the fan grilles properly in place. Do not use the fan if grille becomes deformed, damaged or loose to avoid injury to persons.
- DO NOT dispose of the battery in fire.

SAVE THESE INSTRUCTIONS

This appliance is for household use only.

FEATURES OF YOUR HANDHELD FAN



USB cable included

1. Mesh Cover
2. Blades
3. Charging Port (USB-C)
4. Indicator Light
5. On-off Button
6. Fan Base
7. USB Cable

Note: Due to continued product improvement, images and illustrations in this manual may vary slightly. All images in this manual are for reference purposes only

GETTING TO KNOW YOUR HANDHELD FAN

Congratulations on the purchase of your new Fan.

Before first using your Fan, it is most important that you read and follow the instructions in this use and care booklet, even if you feel you are quite familiar with this type of appliance.

Your attention is drawn particularly to the section dealing with IMPORTANT SAFEGUARDS. Find a place and keep this booklet handy for future reference.

Your Fan is designed to function quietly and safely under normal circumstances. This quality Fan is fully portable, with a modern design.

OPERATION

Charging

Before use, remove all packaging and inspect the appliance for any damage. Fully charge the rechargeable battery before first use, which typically takes around 2 hours.

1. Connect the USB Type-C plug end of the USB Cable directly into the corresponding socket of the fan.
2. Insert the USB cable into a USB wall charger (not supplied), power bank, or a similar device with a minimum 5 V DC output. Plug the 240 V USB wall charger (not supplied) into a wall socket or power board and switch it on (if the power board has individual switches).
3. When charging the fan and the battery has low or partial charge, the charge indicator light will illuminate red. When fully charged, the same indicator light will turn green.

Note: Overcharge and over discharge protection

This fan is fitted with a safety protection device that protects against overcharging or discharging, which helps extend the battery's lifespan.

Note: Always recharge the fan after use to extend the life of the battery. If the fan will not be used for an extended period, remove the battery.

How to use

Never use a damaged product.

Press the ON/OFF button repeatedly to cycle through fan speeds: Low, Medium, and High.

CARE AND CLEANING

- Avoid contact with moving fan parts.
- Use only a soft damp cloth to clean the fan.
- Do not immerse the fan in water and never allow water to drip into the motor housing.
- Never spray the appliance with liquids or submerge it in water or other liquid.
- Do not use gasoline, paint thinner or other chemicals to clean the fan.
- Ensure that the fan is switched off before cleaning.
- Clean the fan blades and grille with a soft, damp cloth.
- Store the fan in its original box or cover the fan to protect it from dust in a dry place if it will not be used for a long period of time.

TECHNICAL SPECIFICATIONS

Rechargeable Battery	Li-ion battery (1pcs, 18650, 3.7V, 1200mAh)
Charging time	Approx. 2-3hours
Run time	High setting: approx. 1.5h Medium setting: approx. 2h Low setting: approx. 4h
Input	5V DC, 1A

NOTE: As a result of continual improvements, the design and specifications of the product within may differ slightly to the unit illustrated on the packaging.

DISPOSAL

Do not dispose of the packaging or the product through your household waste!

The product and packaging are made from recyclable materials (plastics, metals, paper).

If the product is no longer suitable for use dispose of it in an environmentally friendly manner in accordance with your local council.

Warning: Dispose of used batteries according to your local requirements.

NOTES

WARRANTY CONDITIONS FOR PURCHASE IN AUSTRALIA & NEW ZEALAND

Thank you for purchasing one of our quality Click products. Please keep your receipt as proof of purchase, as this will authenticate your warranty. Any claim under this warranty must be made within 1 year of the date of purchase of the product. To make a claim under the warranty, take the product(with proof of purchase) to any Bunnings store(see www.bunnings.com.au for store locations).

Bunnings Group Ltd bears reasonable, direct expenses of claiming under the warranty. You may submit details and proof for consideration. The warranty covers manufacturer defects in materials, workmanship and finish under normal use. This warranty is provided in addition to other rights and remedies you may have under law: our goods come with guarantees which cannot be excluded under the Australian Consumer Law or the Consumer Guarantees Act(NZ). You are entitled to replacement or refund for a major failure and to compensation for other reasonably foreseeable loss or damage. You are also entitled to have the goods repaired or replaced if the goods fail to be of acceptable quality and the failure does not amount to a major failure. The warranty excludes damage resulting from product misuse or product neglect. The warranty covers domestic use only and does not apply to commercial applications.

This warranty is given by Bunnings Group Limited.

ABN 26 008 672 179, Botanicca 3, Level 2 East Tower 570 Swan Street, Burnley, VIC 3121,

e-mail: CustomerSupport@bunnings.com.au, PH: 1800 797 586.

Bunnings NZ Limited: PO Box 14436, Panmure Auckland 1741,

email: OnlineEnquiries@bunnings.co.nz PH: 1800 797 586

WARRANTY EXCLUSIONS

Damage to the base or diffuser or any part through accident, misuse or negligence.

