



2000W CORE DRILL

- **Ø150MM MAX. CAPACITY**
- **VARIABLE SPEED**
- **INTEGRATED COOLANT FEED**



INSTRUCTION MANUAL

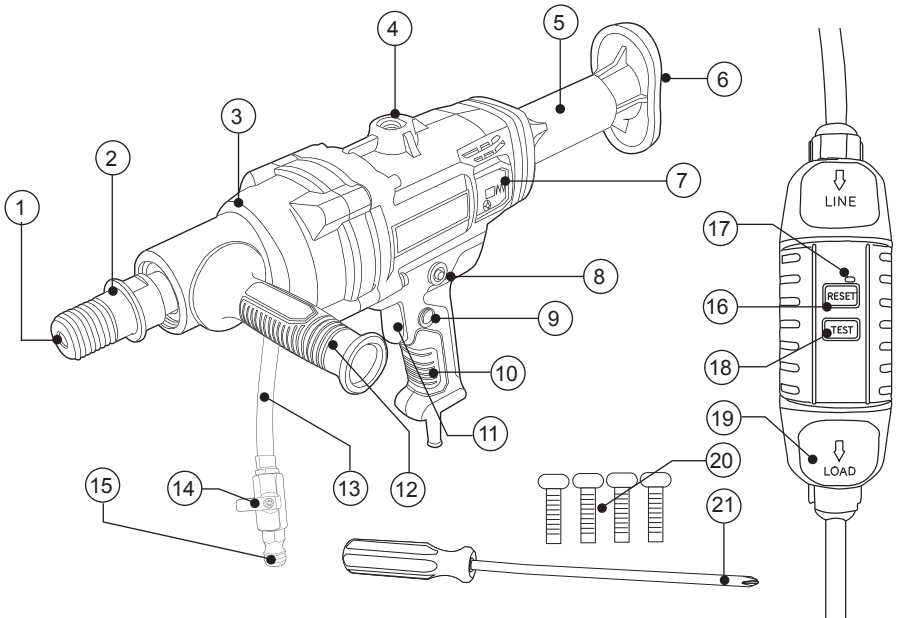


WARNING: Read all safety warnings and all instructions. Failure to follow the warnings and instructions may result in electric shock, fire and/or serious injury. Save all warnings and instructions for future reference.

SPECIFICATIONS - MODEL NO. FBDCD-22150

Power input:	2000W
Voltage:	220-240V ~ 50Hz
No-load speed:	0-1900/min
Hand-held drilling:	Ø80 mm max.
Stand mounted drilling:	Ø150 mm max.
Drilling depth:	700 mm max.
Spindle thread:	Ø1¼ UNC Male
Sound power level:	102.2 dB(A)
Weight (tool only):	6.5 kg

KNOW YOUR PRODUCT



- | | | |
|--------------------------|-----------------------------|-----------------------------------|
| 1. Water outlet | 8. Reset button | 15. Snap-on hose coupler |
| 2. Spindle | 9. Lock-on button | 16. RCD Reset |
| 3. Gear housing | 10. Pistol grip | 17. LED |
| 4. Top side handle mount | 11. Variable speed trigger | 18. RCD Test |
| 5. Shoulder support | 12. Side handle | 19. RCD (Residual-Current Device) |
| 6. Shoulder support pad | 13. Water inlet hose | 20. Shoulder support screws x 4 |
| 7. Carbon brush cover | 14. Water supply on/off tap | 21. Screwdriver |

TABLE OF CONTENTS

SPECIFICATIONS.....	Page 02
KNOW YOUR PRODUCT.....	Page 02
INTRODUCTION.....	Page 04
SAFETY INSTRUCTIONS.....	Page 04
ASSEMBLY.....	Page 09
SET-UP & PREPARATION.....	Page 10
OPERATION.....	Page 12
MAINTENANCE.....	Page 16
TROUBLE SHOOTING.....	Page 17
DESCRIPTION OF SYMBOLS.....	Page 18
CONTENTS.....	Page 19
WARRANTY.....	Page 20

INTRODUCTION

Congratulations on purchasing a Full Boar Core Drill. Your Full Boar Core Drill FBDCD-22150 is ideal for wet or dry core drilling downwards or horizontally in concrete, masonry and similar materials for pipe installations and anchoring or rails, fencing, etc. A safety friction clutch and integral RCD device ensure easy, safe and reliable use. The core drill may be hand-held for drilling up to 80mm. For sizes above 80mm, it must be mounted on a drilling stand. The drill stand is available from Bunnings subject to availability.

SAFETY INSTRUCTIONS



WARNING! When using mains-powered equipment, basic safety precautions, including the following, should always be followed to reduce risk of fire, electric shock, personal injury and material damage.

Read and understand the manual prior to operating this tool.

Save these instructions and other documents supplied with this tool for future reference.

The manufacturer cannot accept any liability for damage or accidents which arise due to a failure to follow these instructions and the safety information.

ELECTRICAL SAFETY

This product has been designed for 220V and 240V only. Always check that the power supply corresponds to the voltage on the rating plate.

Note: The supply of 220V and 240V is interchangeable for Australia and New Zealand.



This tool is double insulated, therefore no earth wire is required.

If the supply cord of this power tool is damaged, it must be replaced by a specially prepared cord available through the service organization.

Note: Double insulation does not take the place of normal safety precautions when operating this tool. The insulation system is for added protection against injury resulting from a possible electrical insulation failure within the tool.

Using an Extension Lead

Always use an approved extension lead suitable for the power input of this tool. Before use, inspect the extension lead for signs of damage, wear and ageing. Replace the extension lead if damaged or defective. When using an extension lead on a reel, always unwind the lead completely. Use of an extension lead not suitable for the power input of the tool or which is damaged or defective may result in a risk of fire and electric shock.

GENERAL POWER TOOL SAFETY WARNINGS



WARNING! Read all safety warnings and all instructions. Failure to follow the warnings and instructions may result in electric shock, fire and/or serious injury. Save all warnings and instructions for future reference. The term “power tool” in the warnings refers to your mains-operated (corded) power tool or battery operated (cordless) power tool.

SAVE THESE INSTRUCTIONS

1. Work area safety

- a. **Keep work area clean and well lit.** Cluttered or dark areas invite accidents.
- b. **Do not operate power tools in explosive atmospheres, such as in the presence of flammable liquids, gases or dust.** Power tools create sparks which may ignite the dust or fumes.
- c. **Keep children and bystanders away while operating a power tool.** Distractions can cause you to lose control.

2. Electrical safety

- a. **Power tool plugs must match the outlet. Never modify the plug in any way. Do not use any adapter plugs with earthed (grounded) power tools.** Unmodified plugs and matching outlets will reduce risk of electric shock.
- b. **Avoid body contact with earthed or grounded surfaces, such as pipes, radiators, ranges and refrigerators.** There is an increased risk of electric shock if your body is earthed or grounded.
- c. **Do not expose power tools to rain or wet conditions.** Water entering a power tool will increase the risk of electric shock.
- d. **Do not abuse the cord. Never use the cord for carrying, pulling or unplugging the power tool. Keep cord away from heat, oil, sharp edges or moving parts.** Damaged or entangled cords increase the risk of electric shock.
- e. **When operating a power tool outdoors, use an extension cord suitable for outdoor use.** Use of a cord suitable for outdoor use reduces the risk of electric shock.

3. Personal safety

- a. **Stay alert, watch what you are doing and use common sense when operating a power tool. Do not use a power tool while you are tired or under the influence of drugs, alcohol or medication.** A moment of inattention while operating power tools may result in serious personal injury.
- b. **Use personal protective equipment. Always wear eye protection.** Protective equipment such as dust mask, non-skid safety shoes, hard hat, or hearing protection used for appropriate conditions will reduce personal injuries.
- c. **Prevent unintentional starting. Ensure the switch is in the off-position before connecting to power source and/or battery pack, picking up or carrying the tool.** Carrying power tools with your finger on the switch or energising power tools that have the switch on invites accidents.
- d. **Remove any adjusting key or wrench before turning the power tool on.** A wrench or a key left attached to a rotating part of the power tool may result in personal injury.
- e. **Do not overreach. Keep proper footing and balance at all times.** This enables better control of the power tool in unexpected situations.

GENERAL POWER TOOL SAFETY WARNINGS (cont.)

- f. **Dress properly. Do not wear loose clothing or jewellery. Keep your hair, clothing and gloves away from moving parts.** Loose clothes, jewellery or long hair can be caught in moving parts.
 - g. **If devices are provided for the connection of dust extraction and collection facilities, ensure these are connected and properly used.** Use of dust collection can reduce dust-related hazards.
 - h. **Do not let familiarity gained from frequent use of tools allow you to become complacent and ignore tool safety principles.** A careless action can cause severe injury within a fraction of a second.
- 4. Power tool use and care**
- a. **Do not force the power tool.** Use the correct power tool for your application. The correct power tool will do the job better and safer at the rate for which it was designed.
 - b. **Do not use the power tool if the switch does not turn it on and off.** Any power tool that cannot be controlled with the switch is dangerous and must be repaired.
 - c. **Disconnect the plug from the power source and/or the battery pack from the power tool before making any adjustments, changing accessories, or storing power tools.** Such preventive safety measures reduce the risk of starting the power tool accidentally.
 - d. **Store idle power tools out of the reach of children and do not allow persons unfamiliar with the power tool or these instructions to operate the power tool.** Power tools are dangerous in the hands of untrained users.
 - e. **Maintain power tools. Check for misalignment or binding of moving parts, breakage of parts and any other condition that may affect the power tool's operation. If damaged, have the power tool repaired before use.** Many accidents are caused by poorly maintained power tools.
 - f. **Keep cutting tools sharp and clean.** Properly maintained cutting tools with sharp cutting edges are less likely to bind and are easier to control.
 - g. **Use the power tool, accessories and tool bits etc. in accordance with these instructions, taking into account the working conditions and the work to be performed.** Use of the power tool for operations different from those intended could result in a hazardous situation.
 - h. **Keep handles and grasping surfaces dry, clean and free from oil and grease.** Slippery handles and grasping surfaces do not allow for safe handling and control of the tool in unexpected situations.
- 5. Service**
- a. **Have your power tool serviced by a qualified repair person using only identical replacement parts.** This will ensure that the safety of the power tool is maintained.
 - b. **If the supply cord of this power tool is damaged, it must be replaced by a specially prepared cord available through the service organization.**

DRILL SAFETY WARNINGS

1) Safety instruction for all operations

- a. **Use the auxiliary handle.** Loss of control can cause personal injury.
- b. **Brace the tool properly before use.** This tool produces a high output torque and without properly bracing the tool during operation, loss of control may occur resulting in personal injury.
- c. **Hold the power tool by insulated gripping surfaces, when performing an operation where the cutting accessory may contact hidden wiring or its own cord.** Cutting accessory contacting a “live” wire may make exposed metal parts of the power tool “live” and could give the operator an electric shock.

2) Safety instructions when using long drill bits

- a. **Never operate at higher speed than the maximum speed rating of the drill bit.** At higher speeds, the bit is likely to bend if allowed to rotate freely without contacting the workpiece, resulting in personal injury.
- b. **Always start drilling at low speed and with the bit tip in contact with the workpiece.** At higher speeds, the bit is likely to bend if allowed to rotate freely without contacting the workpiece, resulting in personal injury.
- c. **Apply pressure only in direct line with the bit and do not apply excessive pressure.** Bits can bend causing breakage or loss of control, resulting in personal injury.
- d. **Keep the cord clear of the accessory being used.** Do not wrap the cord around your arm or wrist.



WARNING! Some dust created by power sanding, sawing, grinding, drilling and other construction activities contain chemicals known to cause cancer, birth defects or other reproductive harm.

Some examples of these chemicals are:

- Lead from lead-based paints;
- Crystalline silica from bricks, cement and other masonry products, and;
- Arsenic and chromium from chemically-treated timber.

Your risk from exposure to these chemicals varies, depending on how often you do this type of work. To reduce your exposure to these chemicals; work in a well ventilated area, and work with approved safety equipment, such as those dust masks that are specifically designed to filter out microscopic particles.

- e. **Always wear eye protection and a dust mask for dusty applications and when drilling/chiselling overhead.** Particles can be absorbed by your eyes and inhaled easily and may cause health complications.

CORE DRILL SAFETY WARNINGS

- a. **Wear ear protectors.** Exposure to noise can cause hearing loss.
- b. **Wear safety goggles or other eye protection.** Drilling operations cause chips to fly. Flying particles can cause permanent eye damage.
- c. **Bits, tools and drilling area get hot during operation.** Wear gloves when touching them.
- d. **Make sure not to cut through electric mains, gas or water pipes.** Use detection devices prior to drilling.
- e. **Make sure the cutting accessory is fitted properly.**
- f. **Check all screws and tighten securely before you use the machine.**
- g. **When drilling downward, make sure the core can drop safely without injuring someone standing beneath.**
- h. **Drilling is only allowed downward or horizontally.** Overhead (upward) drilling with water cooling is NOT PERMITTED.
- i. **When drilling, always use the side handle and hold the machine firmly with both hands.**
- j. **Inspect the machine before every use.** Do not use the machine if there are any defectives on the mains plug, power cord, trigger switch or any part of the housing. Have the machine repaired by an authorized repair agent.
- k. **Switch off the machine immediately if there is any leak of water.**
- l. **After interrupting the cut, do not switch on until the core bit can rotate freely.**
- m. **Always trigger off the switch to prevent the machine from accidentally self starting.**
Note this procedure especially after the power supply is interrupted or the plug is disconnected from the power outlet.
- n. **In case of jammed core bit disconnect the machine from the power supply, remove the reason for the jam before turning on the machine again.**
- o. **Block off the working area and place warning signs on both sides of the wall when drilling through from one side to the other.**
- p. **Always use core drill bits that fit the mounting thread. Do not use any aftermarket adaptors to use other accessories.**
- q. **When dry drilling, only use core drill bits designed for dry drilling. Make sure adequate ventilation and extraction is available when dry drilling.**

Wet drilling

- a. Wet drilling is suitable for stone and concrete.
- b. Always use core bits designed for wet drilling.
- c. Prevent water from entering the motor or other electrical components. Make sure the RCD is not in contact with water.
- d. Use only pure tap water for cooling purposes.

ASSEMBLY



WARNING! Ensure the tool has been switched off and disconnected from the power supply and completely stopped before performing any of the following operations.

Fitting the side handle (12)

The side handle should be assembled to the diamond core drill prior to use. This is done by screwing the threaded end of the handle firmly (fig. 1) in to either side of the gear housing (3), or alternatively top side handle mount (4). Choose the most appropriate position considering user comfort (preferred hand) and the task at hand.

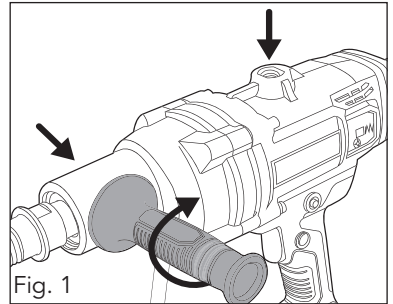


Fig. 1



WARNING! Always use the core drill with the side handle (12) properly assembled.

Shoulder support (5)

Use the shoulder support when you wish to apply extra pressure to the drilling operation.

1. To fit the shoulder support, first remove the shoulder support pad (6) on the rear of the shoulder support (5).
2. Using the four shoulder support screws (20) fit shoulder support in the rear of the core drill with supplied screwdriver (21) (fig. 2).
3. Re-attached the shoulder support pad (6) after securely tighten the four screws.

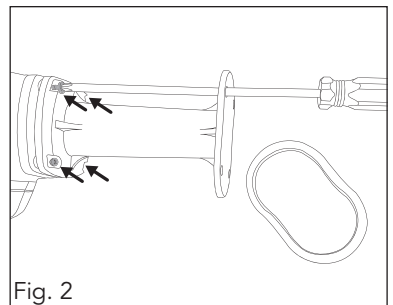


Fig. 2



WARNING! Always use the core drill with the shoulder support (5) fully assembled and securely fitted.

SET-UP & PREPARATION

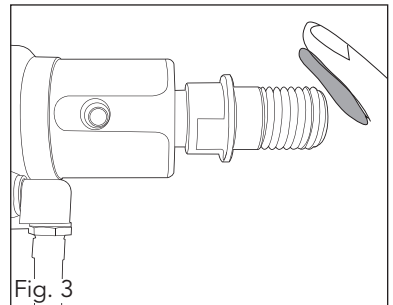
Mounting and removing a diamond core drill bit



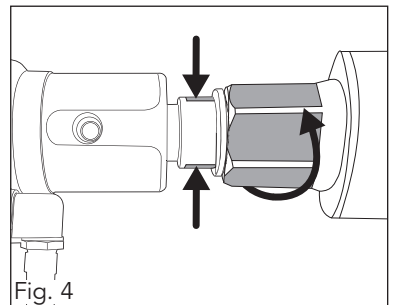
WARNING! To reduce the risk of injury, turn power off and disconnect the drill from the power source before installing and removing accessories, before adjusting or changing set-ups or when making repairs. Be sure the variable speed trigger (11) is in the off position. An accidental start-up can cause injury.

This tool uses threaded core bits and adaptors which thread directly onto the spindle (2).

1. Choose the appropriate core bit for the size of the hole.
2. Follow the core bit or manufacturer's recommendations for mounting the bit. You may require an adaptor to fit the bit onto the spindle. The thread of the bit or adaptor must match the thread of the spindle (2).
3. Smear the end thread with grease (not included) (fig. 3).



4. Hold the spindle (2) using a wrench (not included) over the spindle flats and tighten the core bit with a second wrench (fig. 4).

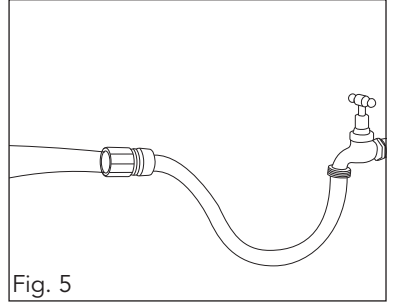


SET-UP & PREPARATION (cont.)

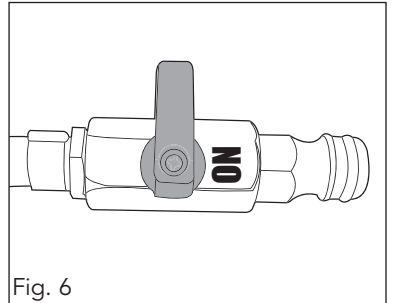
Attaching water supply

 **WARNING!** Use core bits designed for wet use only.

1. Run water through garden hose to remove any foreign matter before attaching to the diamond core drill (fig. 5).



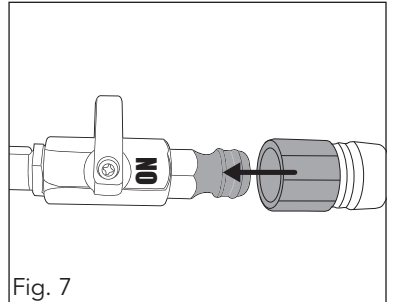
2. Set the water supply on/off tap (14) to the off position (fig. 6).





3. Connect garden hose (min. I/D $\frac{1}{2}$ ") to the snap-on hose coupler (15) (fig. 7).

Note: The maximum permitted pressure of the water supply is 17 psi.

4. The water tap and/or the water supply on/off tap (14) is used to regulate the flow of water. The flow of water should be regulated to a steady stream.



 **WARNING!** Use core drill only horizontally or vertically downwards. Do not drill vertically upwards.

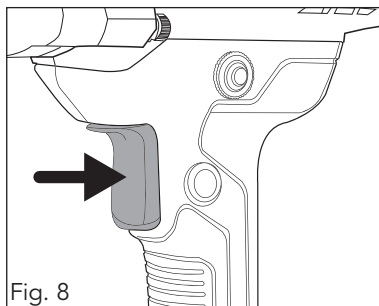
 **WARNING!** Keep water away from the motor to prevent an electrical short circuit.

Variable speed trigger (11)

1. To start operation, squeeze the variable speed trigger (fig. 8).

Note: The more the variable speed trigger is depressed, the faster the diamond core bit will rotate.

Note: If the variable speed trigger (11) does not switch on the core drill, refer **"Electric shock protection"** on page 13.

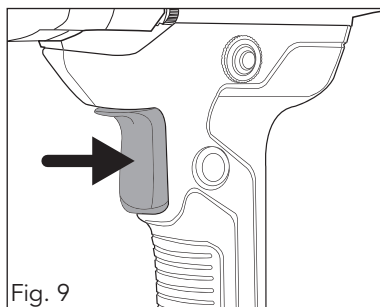


2. To stop operation, fully release the variable speed trigger.

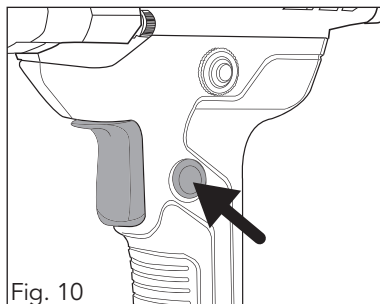
Lock-on button (9)

The lock-on button allows the tool to continue operating without holding the variable speed trigger (11).

1. For continuous operation, fully press and hold in the variable speed trigger (11).(fig. 9).



2. Press the lock-on button and then the variable speed trigger (11) can be released while the tool continues to operate (fig. 10).
3. To stop the operation, squeeze and release the variable speed trigger (11)



OPERATION (cont.)

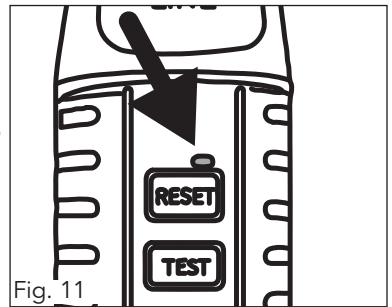
Electric shock protection

The power cord of the core drill includes a Residual Current Device (RCD) (19), which protects the user against electric shock by interrupting the circuit when a leakage current of 10 mA or greater is detected.



WARNING! Do not use the machine if the RCD (19) does not function properly. For the RCD to work, the machine must be connected to an earthed power supply. Always test the RCD before every operation.

1. If the variable speed trigger (11) does not switch on the core drill, press the RESET (16) on the RCD (19).
2. The LED (17) on the RCD (19) should light up confirming power is connected to the core drill (fig. 11).
3. You can test the RCD (19) by pressing the TEST (18) whilst the core drill is running. The power circuit should be broken and the core drill will stop operation.

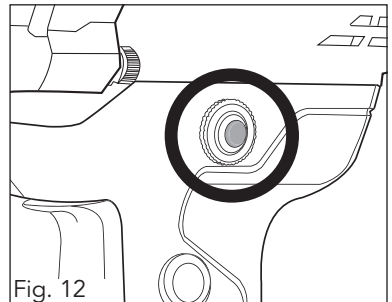


WARNING! If in the test mode the switch does not break the circuit, DO NOT USE THE CORE DRILL. Never use the RCD (19) as a mains switch.

Thermal protection

After the machine has worked in overload for a period of time, a thermal protection circuit shuts off the machine to protect the motor. If this occurs, always remove from the workpiece. The machine will again be operational after the thermal protection has cooled down. The time of cooling down depends on the heat of the motor and the ambient temperature.

1. Press the reset button (8) to reset the thermal protection circuit once the core drill has cooled down sufficiently (fig. 12).



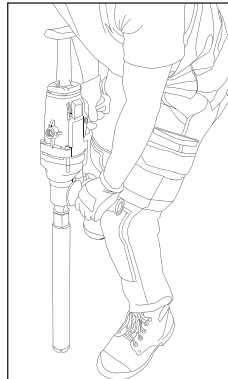
OPERATION (cont.)

Safety clutch

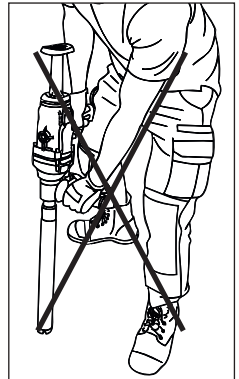
The core drill is fitted with a mechanical friction clutch (safety clutch) to reduce kickback. If the diamond core bit touches the reinforcing steel bar when drilling in reinforced concrete, or the motor is otherwise suddenly overloaded, the core drill may start to vibrate. **REDUCE THE PRESSURE OF DRILLING IMMEDIATELY.**

If the diamond core bit catches and jams, the safety clutch will slip to protect the operator. If this happens, switch off the drill and remove it from the power supply.

The mechanical clutch reduces kickback therefore following pro-longed and continuous jamming of the bit during use it will become worn and slip at lower torque levels. When this happens the clutch may need servicing.



CORRECT



INCORRECT



WARNING! Hold the core drill tightly with both hands to counteract the torque reaction force when the bit begins to turn.



WARNING! Be aware of the location of pipe work and wiring.



WARNING! When the bit grabs, the machine will always twist in the counterclockwise direction. If you are drilling into the floor, make sure that the side handle is in front of your left leg, never between your legs.

OPERATION (cont.)

Core drilling tips

- After tightening the diamond core bit connect the core drill to the power supply and lightly press the variable speed trigger (11) to check that the diamond core bit is rotating evenly.
- Gently drill at a low speed until the core penetrates the surface approx.. 5-10mm deep. If holding by hand, start the cut by approaching at an angle of about 30 degrees to the cutting surface. (A large piece of wood with a large V notch cut in it will help prevent the bit from wandering at the beginning). Once about a third of the arc is cut, straighten the bit to the correct perpendicular angle while keeping enough feed pressure on the bit to prevent it from wandering. If using a rig, use a very light feed pressure to prevent the bit from wandering until the bit is fully penetrated into the cut.



WARNING! If the bit gets stuck, do not try to rock it loose by turning the variable speed trigger (11) on and off. That is hazardous and could damage the motor. Rather, unplug the machine and use a wrench on the bit mounting to work it loose.

- Reduce the drill speed just prior to the core bit breaks through the workpiece, the bit will be very liable to get stuck. When breaking through, hold the machine tightly and reduce feed pressure.



WARNING! Keep the motor air vents free of dust to maintain ventilation and proper cooling of the motor.

- It is recommended that a lower speed should be used when drilling with larger core bits.
- After shutting down and switching off the power supply, remove the core bit.
- Clean core bit with clean with water after use.

MAINTENANCE



WARNING! To reduce the risk of injury, turn unit off and disconnect machine from power source before installing and removing accessories, before adjusting or changing set-ups or when making repairs. Be sure the trigger switch is in the OFF position. An accidental start-up can cause injury.

- Regularly take the tool to an authorized repair agent for inspection. This includes checking the carbon brushes.
- This unit is fitted with a mechanical clutch to reduce kickback therefore following pro-longed and continuous jamming of the bit during use the clutch may need servicing.
- Keep the ventilation vents of the diamond core drill clean at all times.
- After each use, blow air through the diamond core drill housing to ensure it is free from all dust particles which may build up. Build up of dust particles may cause the diamond core drill to overheat and fail. Wear approved eye protection and approved dust mask when performing this procedure.
- If the enclosure of the diamond core drill requires cleaning, do not use solvents but a moist soft cloth only. Never let any liquid get inside the diamond core drill; never immerse any part of the diamond core drill into a liquid.
- Ensure the shoulder support (5) with shoulder support pad (6) are fitted securely onto the diamond core drill. Regularly check and tighten the four screws if necessary (fig. 13).
- Your power tool requires no additional lubrication.

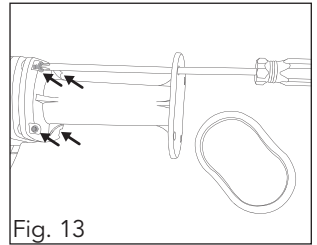
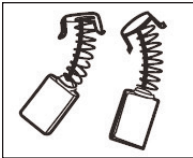


Fig. 13

Carbon brushes



When the carbon brushes wear out, the core drill will spark and/or stop. Discontinue use as soon as this happens. They should be replaced prior to recommencing use of the core drill. Carbon brushes are a wearing component of the core drill, therefore not covered under warranty. Continuing to use the core drill when the carbon brushes need to be replaced may cause permanent damage to the tool. Carbon brushes

will wear out after many uses but when the carbon brushes need to be replaced, take the core drill to an electrician or a qualified power tool repairer for a quick and low cost replacement. Always replace both carbon brushes at the same time.

Note: Ozito Industries will not be responsible for any damage or injuries caused by the repair of the core drill by an unauthorised person or by mishandling of the core drill.

TROUBLESHOOTING

If your tool seems not to operate properly, follow the instructions below. If this does not solve the problem, please contact your repair agent.

- **Core bit does not cut well**

If the material is too hard for the core bit, select a more suitable core bit with harder segments.

If the water flow is too high the diamond segments are not sufficiently abraded and do not self sharpen. Decrease the water flow.

- **Segments are damaged or look glazed and polished**

Jerking the machine during drilling or pushing too hard will damage the segments. Conversely, too gentle a feed will cause the diamond segments to become glazed. Keep the bit steadily working.

To sharpen and true up the diamond segments simply drill into an appropriate dressing stone as many times as necessary to restore cutting performance.

- **Motor does not run**

1. Check that the RCD (19) has been reset.
2. Check that the carbon brushes are making proper contact and are not over worn. Refer Carbon Brushes in the maintenance section on page 15.

- **Core cutters does not drill through the concrete**

1. Safety clutch may need to be serviced. The unit needs to be serviced by a Qualified Power Tool Repairer.

- **Core drill vibrates**

1. Core bit is worn or damaged. Replace core bit.
2. Core bit has touched reinforcing bar in concrete. Reduce drilling speed.

- **Drill progress is slow**

1. Core bit is worn or damaged. Replace core bit.

- **Water flow is intermittent**

1. Grit or chips partially blocking the water flow. Stop the drill, remove from power supply and clear the blockage.

- **Expelled water flow is very clear**

1. The water flow is too fast which can prevent the segments from re-sharpening. Reduce the water flow.






- **Segments and core are burnt**

1. Increase the water flow.

- **Segments wear too fast**

1. Choose a more appropriate core bit (with harder segments).

DESCRIPTION OF SYMBOLS

V	Volts	Hz	Hertz
~	Alternating current	W	Watts
min	Revolutions or reciprocation per minute	n_0	No load speed
mm	Millimetres	∅	Diameter
	Warning		Regulator compliance mark
	Wear ear, eye and breathing protection		Read instruction manual
	Double Insulated		

CARING FOR THE ENVIRONMENT



Power tools that are no longer usable should not be disposed of with household waste but in an environmentally friendly way. Please recycle where facilities exist. Check with your local council authority for recycling advice.



Recycling packaging reduces the need for landfill and raw materials. Reuse of recycled material decreases pollution in the environment. Please recycle packaging where facilities exist. Check with your local council authority for recycling advice.

CONTENTS

- 1 x Diamond core drill
- 1 x Front handle
- 1 x Shoulder support
- 4 x Shoulder support screws
- 1 x RCD (fitted)
- 1 x Water inlet hose with on/of tap (fitted)
- 1 x Screwdriver
- 1 x Carry bag

Distributed by:
Ozito Industries Pty Ltd

AUSTRALIA (Head Office)

1-23 Letcon Drive, Bangholme Victoria, Australia, 3175

Telephone: 1800 069 486

WARRANTY

YOUR WARRANTY FORM SHOULD BE RETAINED BY YOU AT ALL TIMES. IN ORDER TO MAKE A CLAIM UNDER THIS WARRANTY YOU MUST RETURN THE PRODUCT TO YOUR NEAREST BUNNINGS WAREHOUSE (see www.bunnings.com.au or www.bunnings.co.nz for store locations) WITH YOUR BUNNINGS REGISTER RECEIPT. PRIOR TO RETURNING YOUR PRODUCT FOR WARRANTY PLEASE TELEPHONE OUR CUSTOMER SERVICE HELPLINE:

**Australia 1800 069 486
New Zealand 0508 069 486**

TO ENSURE A SPEEDY RESPONSE PLEASE HAVE THE MODEL NUMBER AND DATE OF PURCHASE AVAILABLE. A CUSTOMER SERVICE REPRESENTATIVE WILL TAKE YOUR CALL AND ANSWER ANY QUESTIONS YOU MAY HAVE RELATING TO THE WARRANTY POLICY OR PROCEDURE.

1 YEAR WARRANTY

Your product is guaranteed for a period of **12 months from the original date of purchase**. If a product is defective it will be repaired in accordance with the terms of this warranty. Warranty excludes consumable parts, for example: wheels, bearings.

The benefits provided under this warranty are in addition to other rights and remedies which are available to you under law. The warranty covers manufacturer defects in materials, workmanship and finish under normal use.

Our goods come with guarantees that cannot be excluded under Australian Consumer law & Consumer Guarantees Act 1993 (NZ). You are entitled to a replacement or refund for a major failure and to compensation for other reasonably foreseeable loss or damage. You are also entitled to have the goods repaired and replaced if the goods fail to be of acceptable quality and the failure does not amount to a major failure.

WARRANTY EXCLUSIONS

The following actions will result in the warranty being void.

- If the tool has been operated on a supply voltage other than that specified on the tool.
- If the tool shows signs of damage or defects caused by or resulting from abuse, accidents or alterations.
- Failure to perform maintenance as set out within the instruction manual.
- If the tool is disassembled or tampered with in any way.
- The warranty excludes damage resulting from product misuse or product neglect.

This warranty is given by Ozito Industries Pty Ltd.

ABN: 17 050 731 756

Ph.1800 069 486

Australia/New Zealand (Head Office)
1-23 Letcon Drive, Bangholme, Victoria, Australia 3175