

AEG

A18PDB

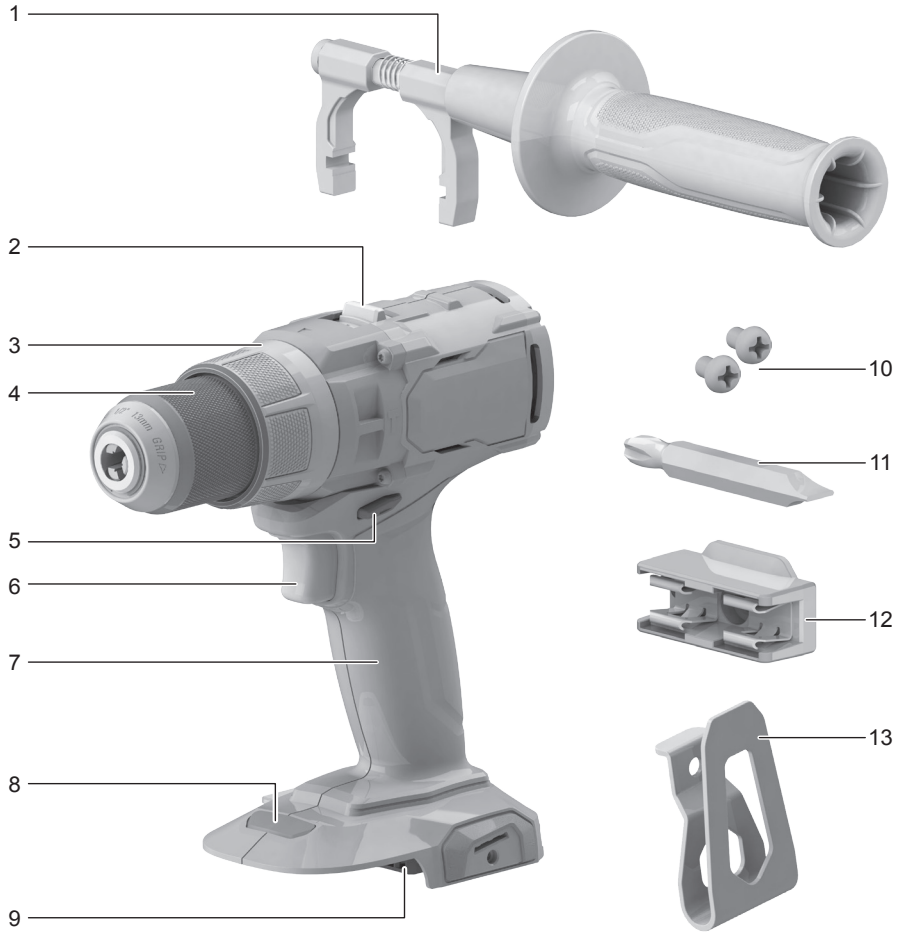
Original instructions

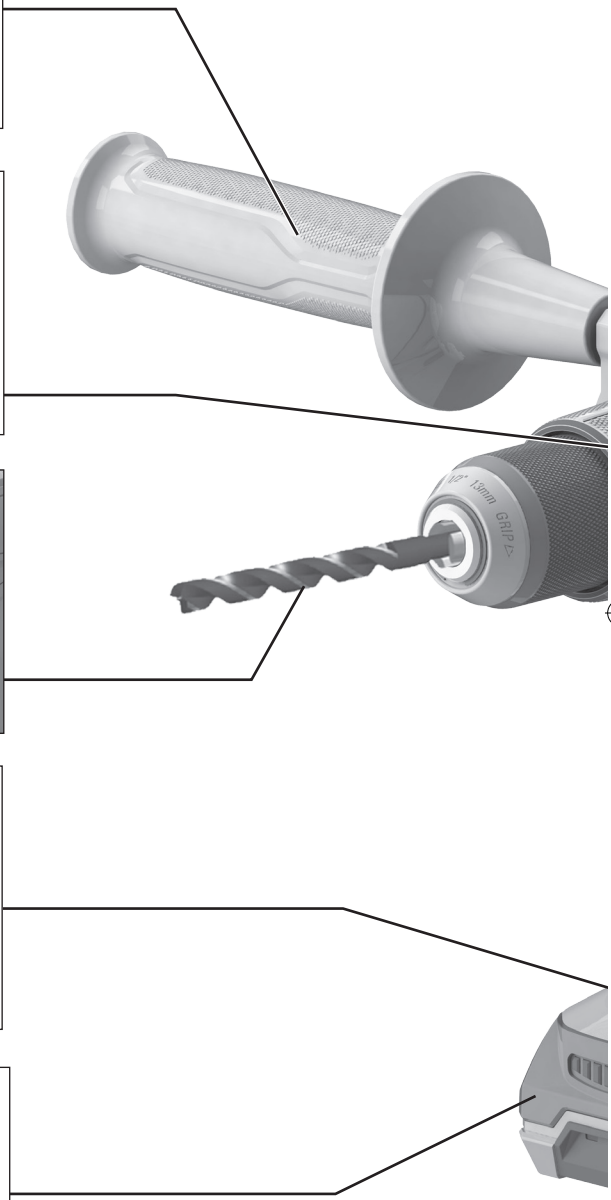
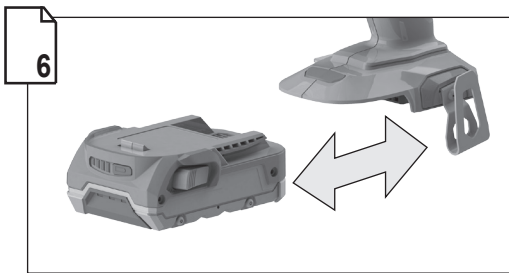
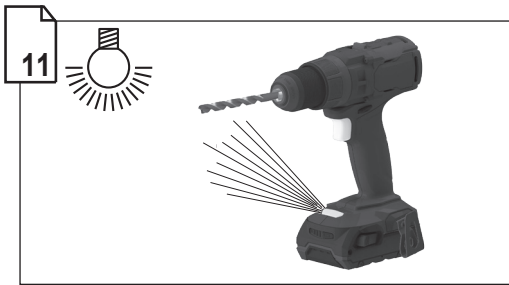
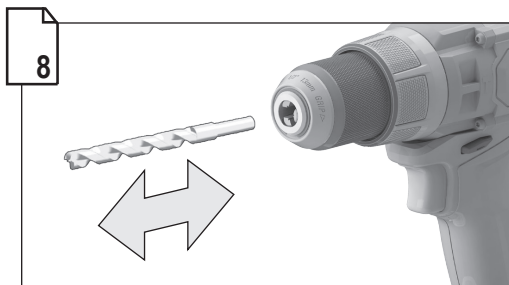
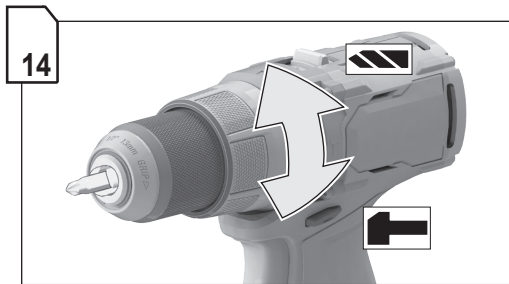
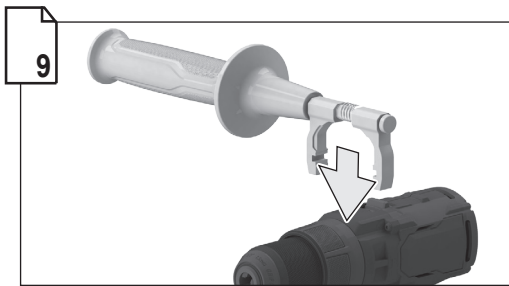
Important!

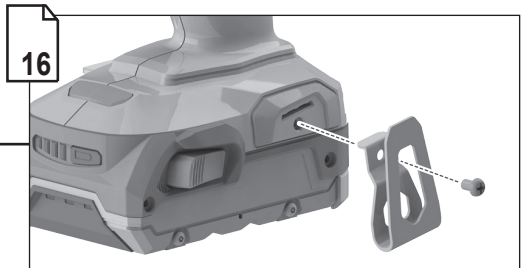
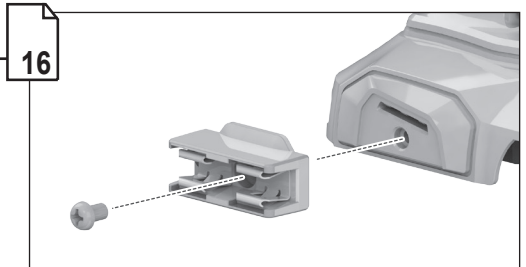
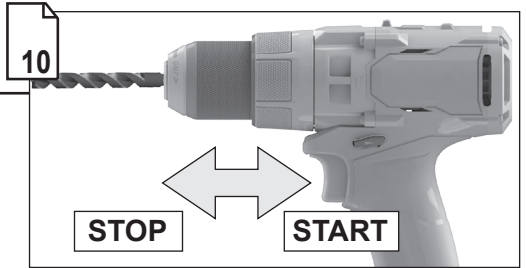
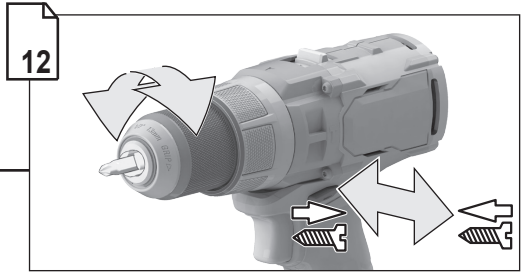
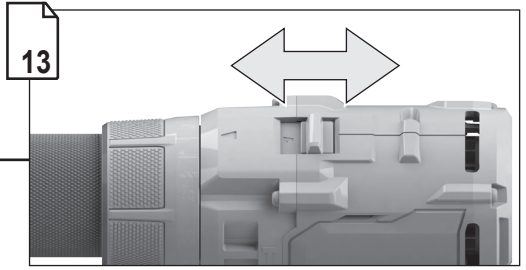
It is essential that you read the instructions in this manual before assembling, operating and maintaining the product.

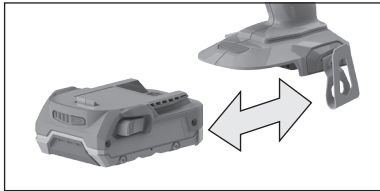
Subject to technical modifications.

- | | |
|---|-----------------|
| 1. Auxiliary handle, insulated gripping surface | 8. LED light |
| 2. Gear selector | 9. Battery port |
| 3. Torque adjustment ring | 10. Screw |
| 4. Keyless chuck | 11. Driver bit |
| 5. Direction of rotation selector | 12. Bit holder |
| 6. Variable speed switch trigger | 13. Belt clip |
| 7. Handle, insulated gripping surface | |

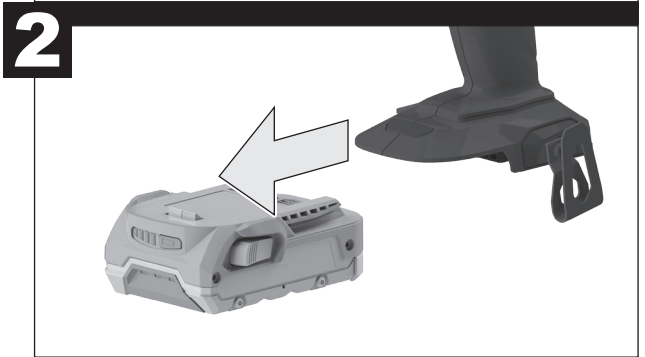
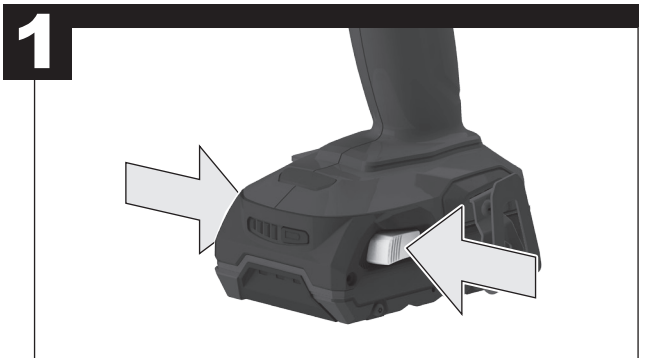
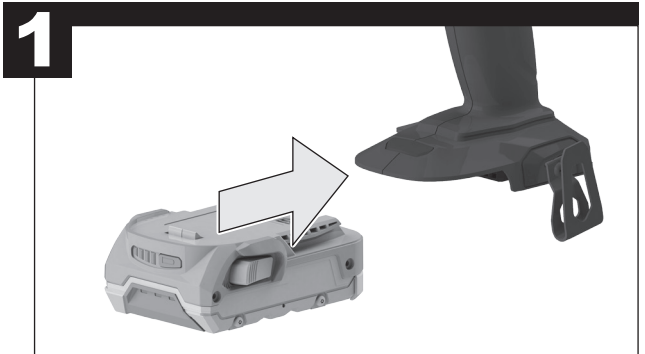


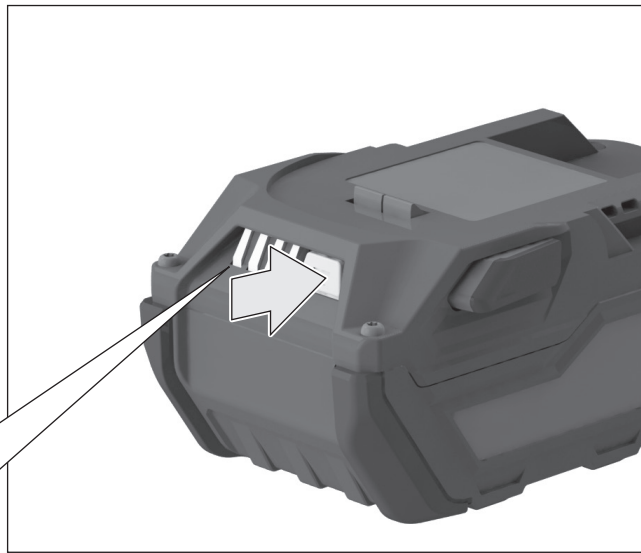






Remove the battery pack before starting any work on the machine.





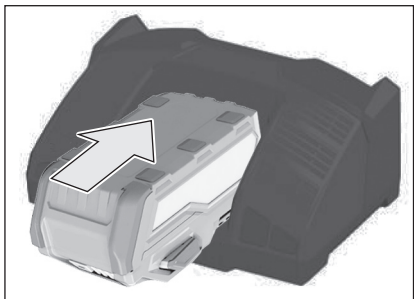
78-100 %

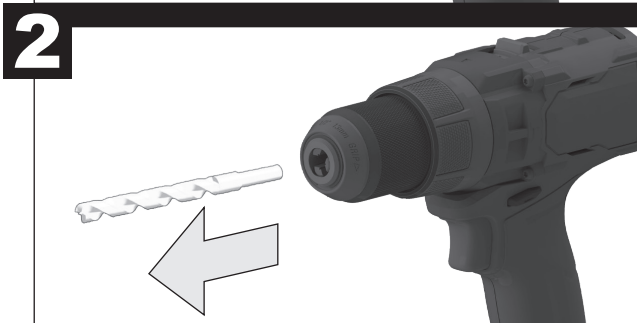
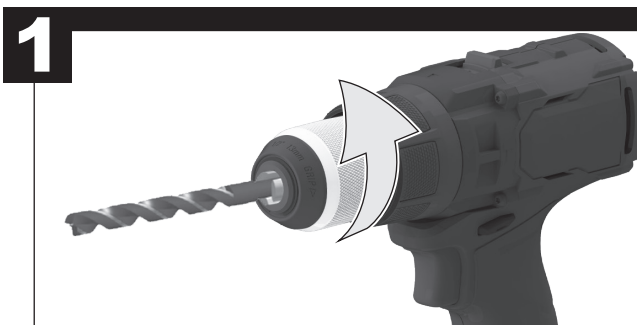
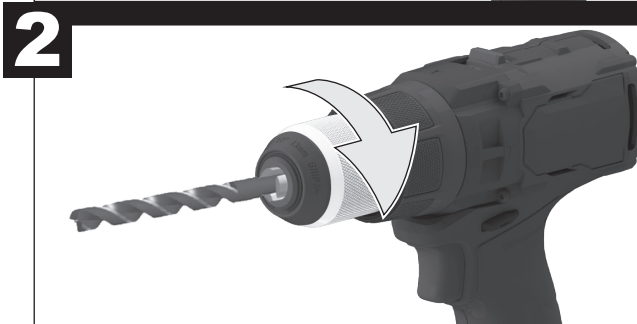
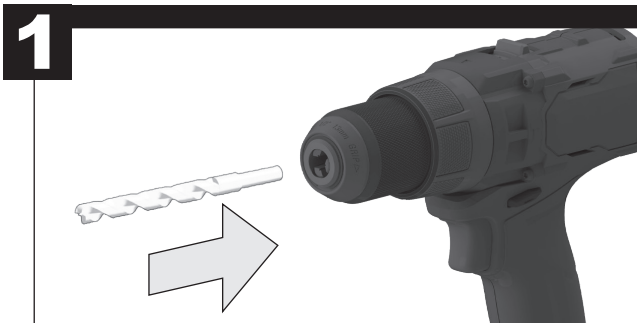
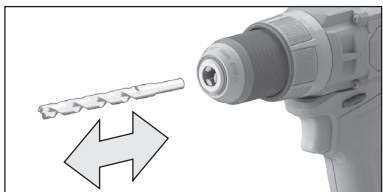
55-77 %

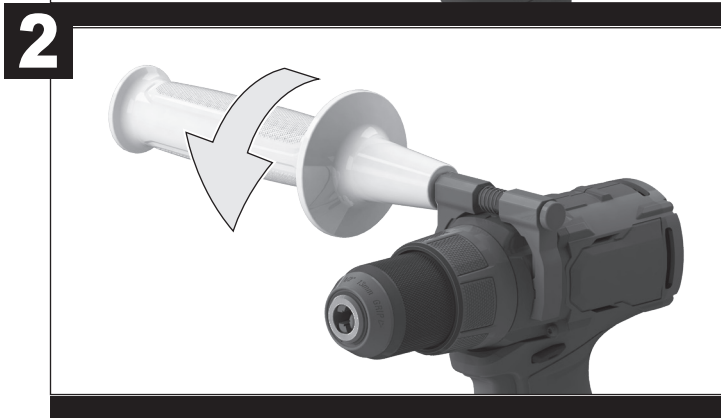
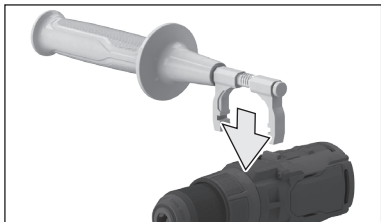
33-54 %

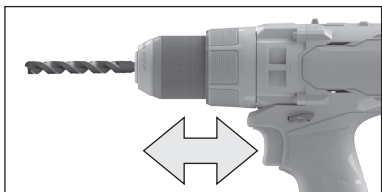
10-32 %

<10 %

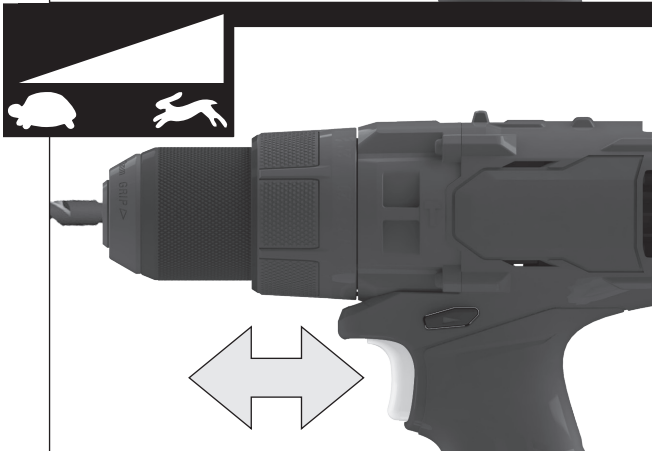
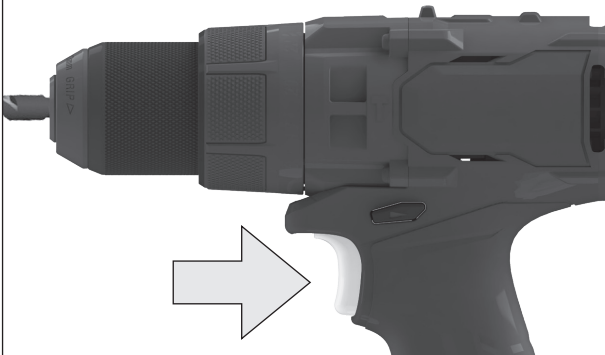






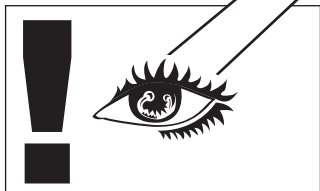
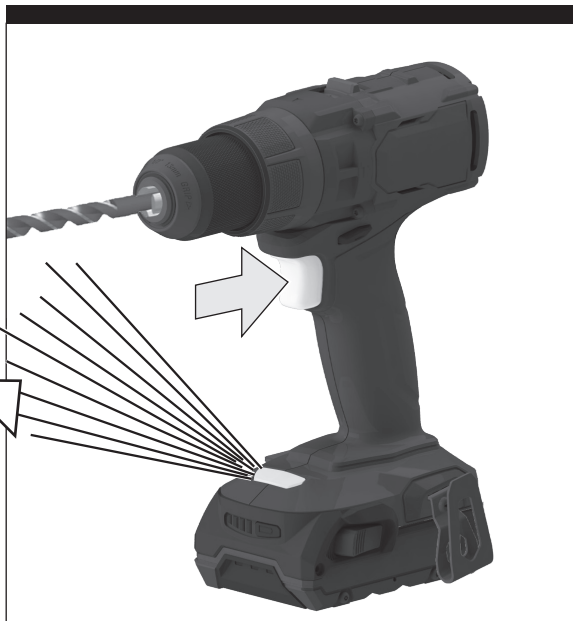
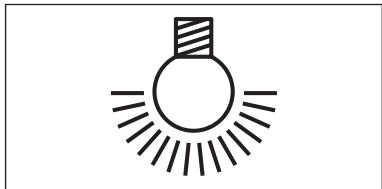


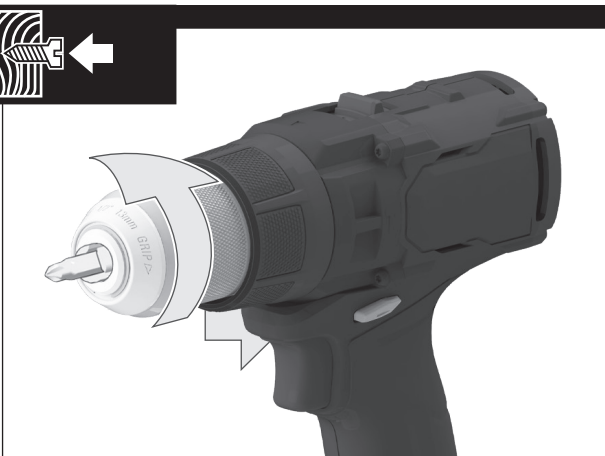
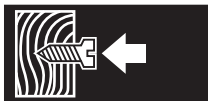
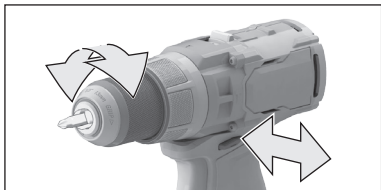
START



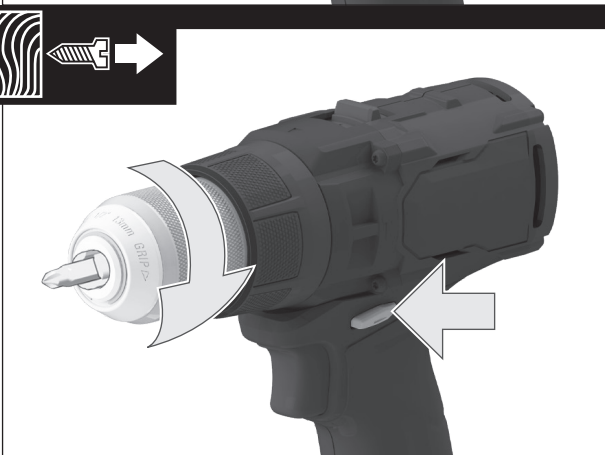
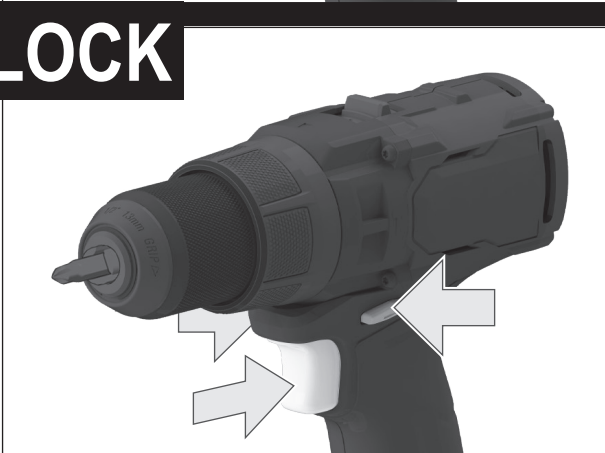
STOP

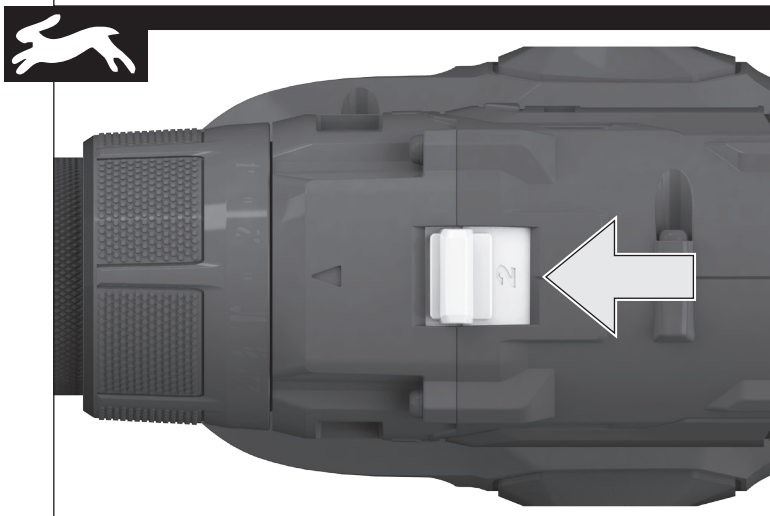
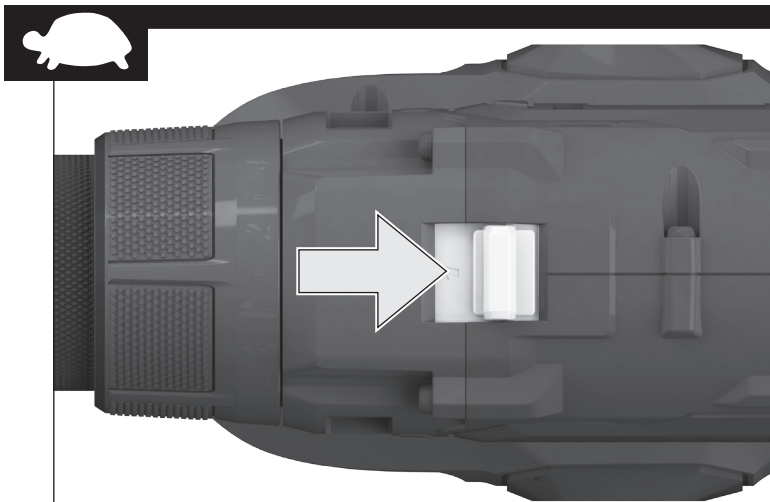
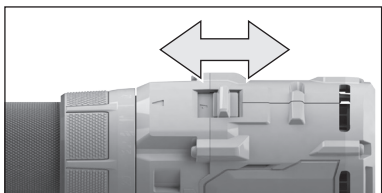


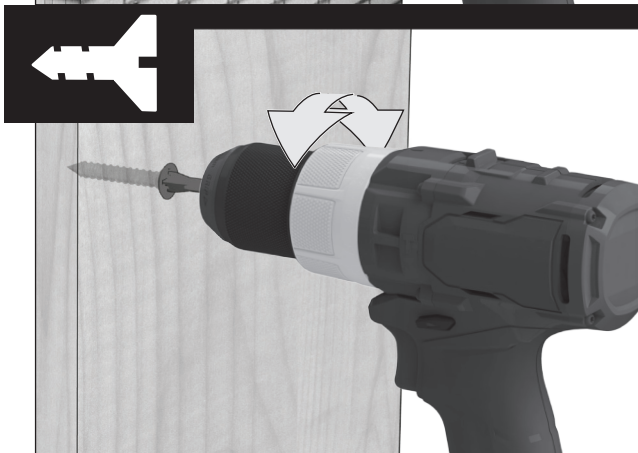
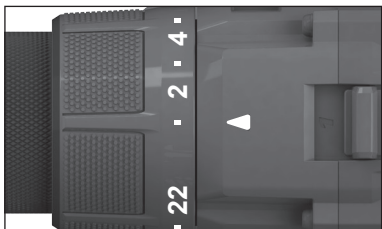
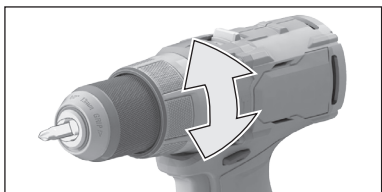


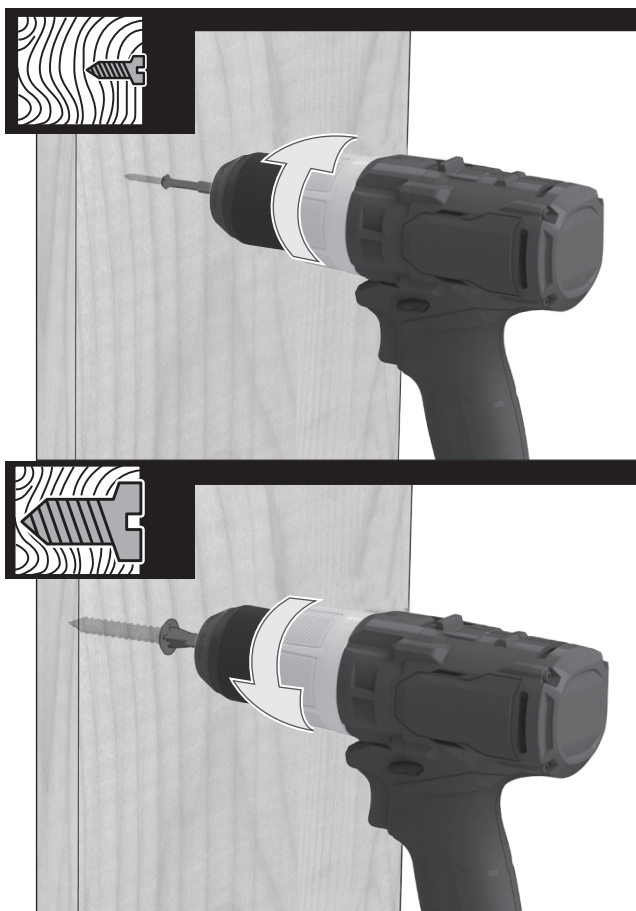
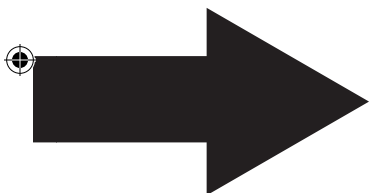


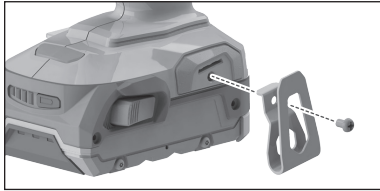
LOCK



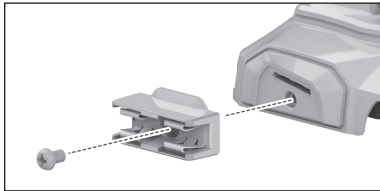
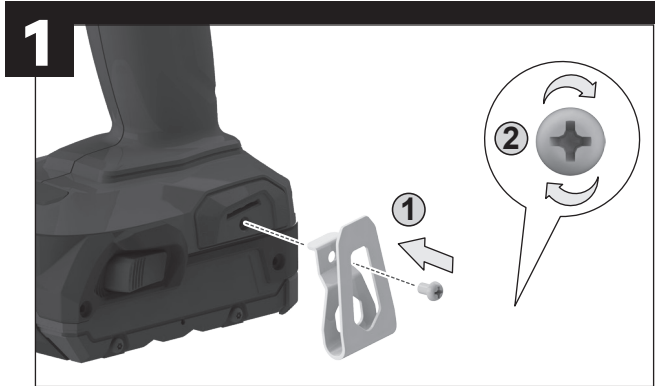




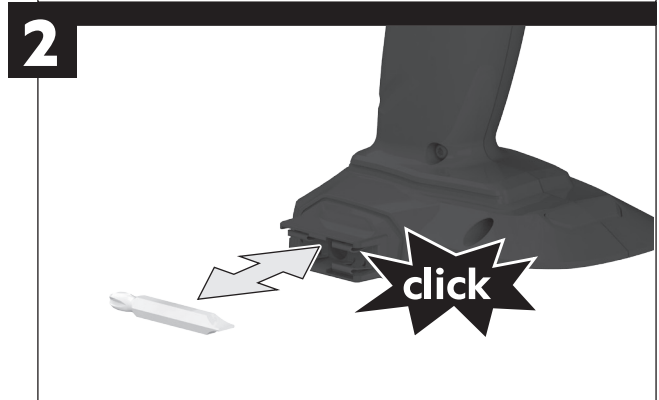
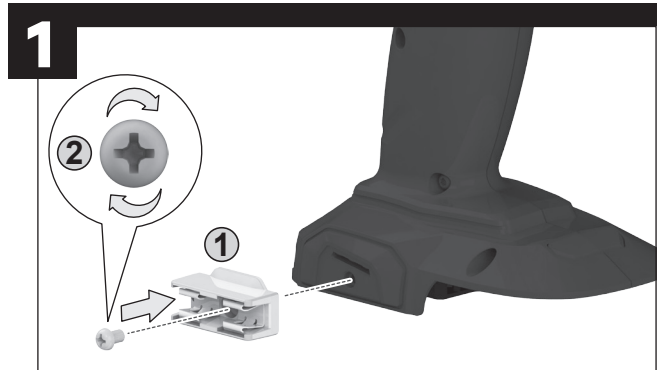




Remove the battery pack before starting any work on the machine.



Remove the battery pack before starting any work on the machine.



**TECHNICAL DATA****BRUSHLESS HAMMER DRILL****A18PDB**

Rated voltage	18 V
Drilling capacity in steel	13 mm
Drilling capacity in wood	65 mm
Drilling capacity in brick and tile	13 mm
Wood screws (without pre-drilling)	10 mm
No-load speed, 1st gear / 2nd gear	0 - 500 / 0 - 2100 min ⁻¹
Impact rate 1st gear / 2nd gear	0 - 7500 / 0 - 31500 min ⁻¹
Torque (2.0 Ah / 4.0 Ah / 6.0 Ah)*	57 Nm / 61 Nm / 62 Nm
Drill chuck range	1.6 - 13 mm
Weight - not including battery pack	1.4 kg
Measured sound values determined according to EN 62841:	
A-weighted sound pressure level	$L_{PA} = 97.0$ dB(A)
Uncertainty K	5 dB (A)
A-weighted sound power level	$L_{WA} = 108.0$ dB(A)
Uncertainty K	5 dB (A)
Wear ear protectors.	
The vibration total values (triaxial vector sum) determined according to EN 62841:	
Impact drilling into concrete	$a_{hID} = 11.5$ m/s ²
Uncertainty K	1.5 m/s ²
Drilling into metal	$a_{h,D} = 1.7$ m/s ²
Uncertainty K	1.5 m/s ²

* test to AEG standard N 877318

**WARNING!**

The vibration emission level given in this information sheet has been measured in accordance with a standardised test given in EN 62841 and may be used to compare one tool with another. It may be used for a preliminary assessment of exposure.

The declared vibration emission level represents the main applications of the tool. However if the tool is used for different applications, with different accessories or poorly maintained, the vibration emission may differ. This may significantly increase the exposure level over the total working period.

An estimation of the level of exposure to vibration should also take into account the times when the tool is switched off or when it is running but not actually doing the job. This may significantly reduce the exposure level over the total working period.

Identify additional safety measures to protect the operator from the effects of vibration such as: maintain the tool and the accessories, keep the hands warm, organisation of work patterns.



BATTERY AND CHARGER

Compatible battery pack (not included)	Compatible charger (not included)	
L1820R	A18FB4	AL18G
L1820S	L1850R	BL1218
A18FB2	A18FB5	BLK1218
L1825R	L1860R	BL18DP2-X5
L1830R-X5	L1860R-X5	BL18DPS
A18B4	L1890R	BL18S
L1840R		

Use AEG 18V battery and charger only

⚠ WARNING! Read all safety warnings, instructions, illustrations and specifications provided with this power tool. Failure to follow all instructions listed below may result in electric shock, fire and/or serious injury. **Save all warnings and instructions for future reference.**

DRILL SAFETY WARNINGS

Safety instructions for all operations

Wear ear protectors when impact drilling. Exposure to noise can cause hearing loss.

Use the auxiliary handle(s). Loss of control can cause personal injury.

Brace the tool properly before use. This tool produces a high output torque and without properly bracing the tool during operation, loss of control may occur resulting in personal injury.

Hold the power tool by insulated gripping surfaces, when performing an operation where the cutting accessory or fasteners may contact hidden wiring. Cutting accessory or fasteners contacting a "live" wire may make exposed metal parts of the power tool "live" and could give the operator an electric shock.

Safety instructions when using long drill bits

Never operate at higher speed than the maximum speed rating of the drill bit. At higher speeds, the bit is likely to bend if allowed to rotate freely without contacting the workpiece, resulting in personal injury.

Always start drilling at low speed and with the bit tip in contact with the workpiece. At higher speeds, the bit is likely to bend if allowed to rotate freely without contacting the workpiece, resulting in personal injury.

Apply pressure only in direct line with the bit and do not apply excessive pressure. Bits can bend causing breakage or loss of control, resulting in personal injury.

Ambient temperature range for tool during operation is between 0°C and 40°C.

Ambient temperature range for tool storage is between 0°C and 40°C.

The recommended ambient temperature range for the charging system during charging is between 10°C and 38°C.

ADDITIONAL SAFETY AND WORKING INSTRUCTIONS

Use protective equipment. Always wear safety glasses when working with the product. The use of protective clothing is recommended, such as dust mask, protective gloves, sturdy non-slip footwear, helmet and ear defenders.

The dust produced when using this tool may be harmful to health. Do not inhale the dust. Wear a suitable dust protection mask.

Do not machine any materials that present a danger to health (e.g. asbestos).

Do not direct the light beam at persons or animals and do not stare into the light beam yourself (not even from a distance). Staring into the light beam may result in serious injury or vision loss.

The product is not waterproof. Do not submerge in liquid. Failure to heed this warning could result in serious personal injury.

Switch the product off immediately if the accessory stalls! Do not switch the device on again while the accessory is stalled, as doing so could trigger a sudden recoil with a high reactive force. Determine why the accessory stalled and rectify this, paying heed to the safety instructions.

The possible causes may be:

- it is tilted in the workpiece to be machined
- it has pierced through the material to be machined
- the power tool is overloaded

Do not reach into the product while it is running. The accessory may become hot during use.

⚠ WARNING! Danger of burns

- when changing tools
- when setting the device down

Chips and splinters must not be removed while the product is running.

When working in walls ceiling, or floor, take care to avoid electric cables and gas or waterpipes.

Clamp your workpiece with a clamping device. Unclamped workpieces can cause severe injury and damage.

Remove the battery pack before starting any work on the product.

Remove battery pack before storing or transporting the product.

Do not dispose of used battery packs in the household refuse or by burning them. Take them to an appropriate disposal/collection site.

Do not store the battery pack together with metal objects (short circuit risk).

Use only System GBS chargers for charging System GBS battery packs. Do not use battery packs from other systems.

Never break open battery packs and chargers and store only in dry rooms. Keep dry at all times.

Battery acid may leak from damaged batteries under extreme load or extreme temperatures. In case of contact with battery acid wash it off immediately with soap and water. In case of eye contact rinse thoroughly for at least 10 minutes and immediately seek medical attention.

RESIDUAL RISKS

Even when the product is used as prescribed, it is still impossible to completely eliminate certain residual risk factors. The following hazards may arise and the operator should pay special attention to avoid the following:

- Risk of electrocution if electric cables are drilled into. – Always grasp the product by designated handles; do not touch the drill bits.
- Damage to the respiratory system. - Wear respiratory protection masks containing filters appropriate to the materials being worked. Ensure adequate workplace ventilation. Do not eat, drink

or smoke in the work area.

- Damage to hearing – Always wear effective hearing protection and limit exposure to noise.
- Damage to eyes from flying dust and debris particles – Always wear suitable eye protection.
- Injury caused by vibration – Hold the product by designated handles; limit exposure to vibration. See “risk reduction”.

RISK REDUCTION

It has been reported that vibrations from handheld tools may contribute to a condition called Raynaud's Syndrome in certain individuals. Symptoms may include tingling, numbness and blanching of the fingers, usually apparent upon exposure to cold. Hereditary factors, exposure to cold and dampness, diet, smoking and work practices are all thought to contribute to the development of these symptoms. There are measures that can be taken by the operator to possibly reduce the effects of vibration:

- Keep your body warm in cold weather. When operating the unit wear gloves to keep the hands and wrists warm. It is reported that cold weather is a major factor contributing to Raynaud's Syndrome.
- After each period of operation, exercise to increase blood circulation.
- Take frequent work breaks. Limit the amount of exposure per day.

If you experience any of the symptoms of this condition, immediately discontinue use and see your doctor about these symptoms.

⚠ WARNING! Injuries may be caused or aggravated by prolonged use of a tool. When using any tool for prolonged periods, ensure you take regular breaks.

SPECIFIED CONDITIONS OF USE

This electronic percussion drill/screwdriver is intended to be used only by adults who have read and understood the instructions and warnings in this manual and can be considered responsible for their actions.

The product can be used for drilling into various materials including wood, metal and plastics using a drill bit less than 13 mm in diameter. The product can also be used in hammer mode for drilling masonry and similar materials.

Do not use the product for any other purpose not described above.

BATTERIES

Battery packs which have not been used for some time should be recharged before use.

Temperatures in excess of 50°C (122°F) reduce the performance of the battery pack. Avoid extended exposure to heat or sunshine (risk of overheating).

The contacts of chargers and battery packs must be kept clean.

For an optimum life-time, the battery packs have to be fully charged, after used.

To obtain the longest possible battery life remove the battery pack from the charger once it is fully charged.

For battery pack storage longer than 30 days:

- Store the battery pack where the temperature is below 27°C and away from moisture.

- Store the battery packs in a 30% - 50% charged condition.
- Every six months of storage, charge the pack as normal.

ADDITIONAL BATTERY SAFETY WARNINGS

⚠ WARNING! To reduce the risk of fire, personal injury, and product damage due to a short circuit, never immerse your tool, battery pack or charger in fluid or allow a fluid to flow inside them. Corrosive or conductive fluids, such as seawater, certain industrial chemicals, and bleach or bleach containing products, etc., can cause a short circuit.

Ambient temperature range for battery during use is between 0°C and 40°C.

Ambient temperature range for battery storage is between 0°C and 27°C.

TRANSPORTING LITHIUM BATTERIES

Lithium-ion batteries are subject to the Dangerous Goods Legislation requirements.

Transportation of those batteries has to be done in accordance with local, national and international provisions and regulations.

- The user can transport the batteries by road without further requirements.
- Commercial transport of Lithium-Ion batteries by third parties is subject to Dangerous Goods regulations. Transport preparation and transport are exclusively to be carried out by appropriately trained persons and the process has to be accompanied by corresponding experts.

When transporting batteries:

- Ensure that battery contact terminals are protected and insulated to prevent short circuit.
- Ensure that battery pack is secured against movement within packaging.
- Do not transport batteries that are cracked or leak.

Check with forwarding company for further advice.

BATTERY PACK PROTECTION

The battery pack has overload protection that protects it from being overloaded and helps to ensure long life. Under extreme stress the battery electronics switch off the product automatically. To restart, switch the product off and then on again. If the product does not start up again, the battery pack may have discharged completely. In this case it must be recharged in the battery charger.

MAINTENANCE

The ventilation slots of the product must be kept clear at all times.

Use only AEG accessories and AEG spare parts. Should components need to be replaced which have not been described, please contact one of our AEG service agents (see our list of guarantee/service addresses).

If needed, an exploded view of the tool can be ordered. Please state the Article No. as well as the product type printed on the label and order the drawing at your local service agents or directly at:

⚠ WARNING! Avoid using solvents when cleaning plastic parts. Most plastics are susceptible to damage from various types of commercial solvents and may be damaged by their use. Use clean cloths to remove dirt, dust, oil, grease, etc.

⚠ WARNING! Do not at any time let brake fluids, gasoline,

petroleum-based products, penetrating oils, etc., come in contact with plastic parts. Chemicals can damage, weaken or destroy plastic which could result in serious personal injury.

Techtronic Industries Australia Pty Ltd

PO Box 1065
Mount Waverley VIC 3149
Tel. no. 1300 234 797
Australia

Techtronic Industries N.Z. Limited

PO Box 12-806
Penrose AUCKLAND 1642
Tel. no. 0800 234 797 (0800 AEGPWR)
New Zealand

SYMBOLS



Safety alert

V

Volts



Direct current

min⁻¹

Revolutions or reciprocations per minute

n₀

No-load speed



Regulatory Compliance Mark (RCM). Product meets applicable regulatory requirements.



Please read the instructions carefully before starting the product.



Do not dispose of electric tools together with household waste material. Electric tools and electronic equipment that have reached the end of their life must be collected separately and returned to an environmentally compatible recycling facility.











AEG



www.aegpowertools.com.au
www.aegpowertools.co.nz

Techtronic Industries Australia Pty Ltd
31 Gilby Road, Mount Waverley, VIC 3149
Australia

Techtronic Industries N.Z. Limited
Unit C, 70 Business Parade South,
Highbrook, Auckland 2013, New Zealand

961096768-01B

*AEG is a registered trade mark used under
license from AB Electrolux (publ).
© 2021 Techtronic Cordless GP.*

