

jumbuck®



32 cm Portable Dome BBQ Charcoal Grill

- Powder coated black enamel bowl and lid
- Chrome cooking grill
- Bakelite handle
- Stainless steel legs
- Adjustable air vents
- Assembled size: 325D x 460Hmm



Solid Fuel



Cooking Grill



Adjustable
Side Ventilation



Jumbuck 32cm Portable Dome BBQ (GEN-D325)

IMPORTANT SAFETY INSTRUCTIONS

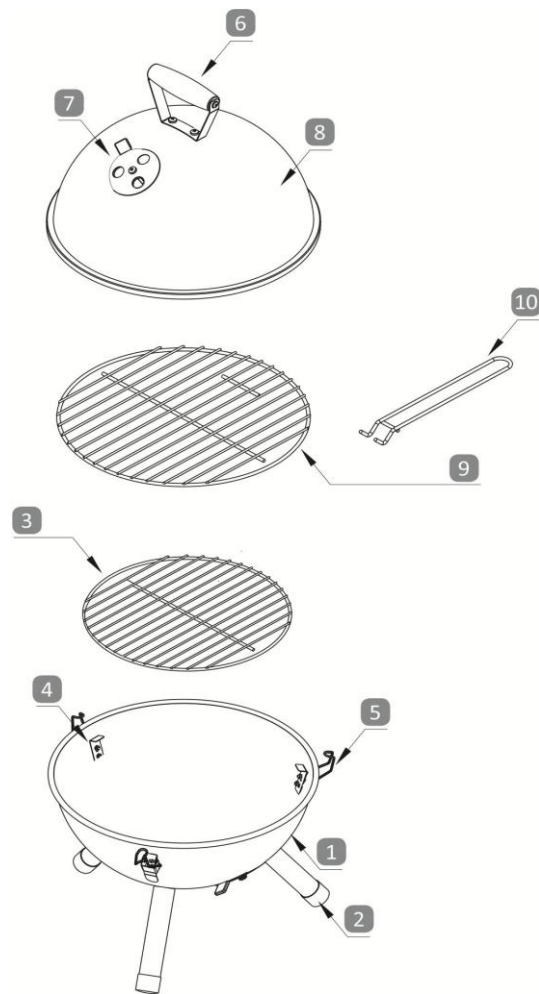


- For outdoor use only.
- Improper installation, adjustment, alteration, service or maintenance can cause property damage, injury or death. Read the installation instructions thoroughly before installing this equipment.
- Warning: accessible parts may be very hot. Keep young children away.
- Do not move the appliance during use.
- Any modification of the appliance may be dangerous.
- Installer to leave instructions with the consumer and consumer to retain them for future reference.
- Dispose of all polythene packing carefully and keep out of the reach of children

IMPORTANT NOTES



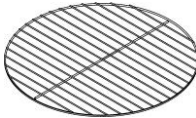
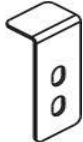



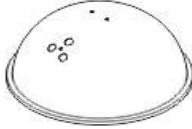


- Do not use this BBQ indoors.
- Do not use this BBQ inside a tent, gazebo or within a confined space.
- This BBQ will become very hot during and for some time after use. Keep children away from the BBQ and do not touch metal parts of the BBQ when in use
- Use suitable gloves for protection, especially when loading the BBQ with coal or charcoal
- We recommend protecting your BBQ when not in use with a cover to protect it from rusting and exposure to rain.

EXPLODED VIEW & PARTS CODE



Reference#	Part Name	Parts Code
1	Body	GEN-D325-01
2	Leg	GEN-D325-02
3	Charcoal Grid	GEN-D325-03
4	Buckle Support	GEN-D325-04
5	Buckle	GEN-D325-05
6	Handle	GEN-D325-06
7	Air Vent	GEN-D325-07
8	Lid	GEN-D325-08
9	Cooking Grill	GEN-D325-09
10	Cooking Grill Handle	GEN-D325-10

CARTON CONTENTS

Reference#	Description	Part#	Illustration	Quantity
1	Body	GEN-D325-01		1
2	Leg	GEN-D325-02		3
3	Charcoal Grid	GEN-D325-03		1
4	Buckle Support	GEN-D325-04		3
5	Buckle	GEN-D325-05		3
6	Handle	GEN-D325-06		1
7	Air Vent	GEN-D325-07		2
8	Lid	GEN-D325-08		1
9	Cooking Grill	GEN-D325-09		1
10	Cooking Grill Handle	GEN-D325-10		1

HARDWARE PACK CONTENTS

Reference#	Description	Illustration	Quantity
A	Bolt M6 x 20mm		3
B	Flat Washer ϕ 25		3
C	Bolt M3 x 8mm		6
D	Nut M3		6
E	Bolt M5 x 10mm		4
F	Wing Nut M5		2
G	Nut M5		2
H	Flat Washer ϕ 16		2
I	Nut M5		2

ASSEMBLY INSTRUCTIONS

ASSEMBLY TIPS

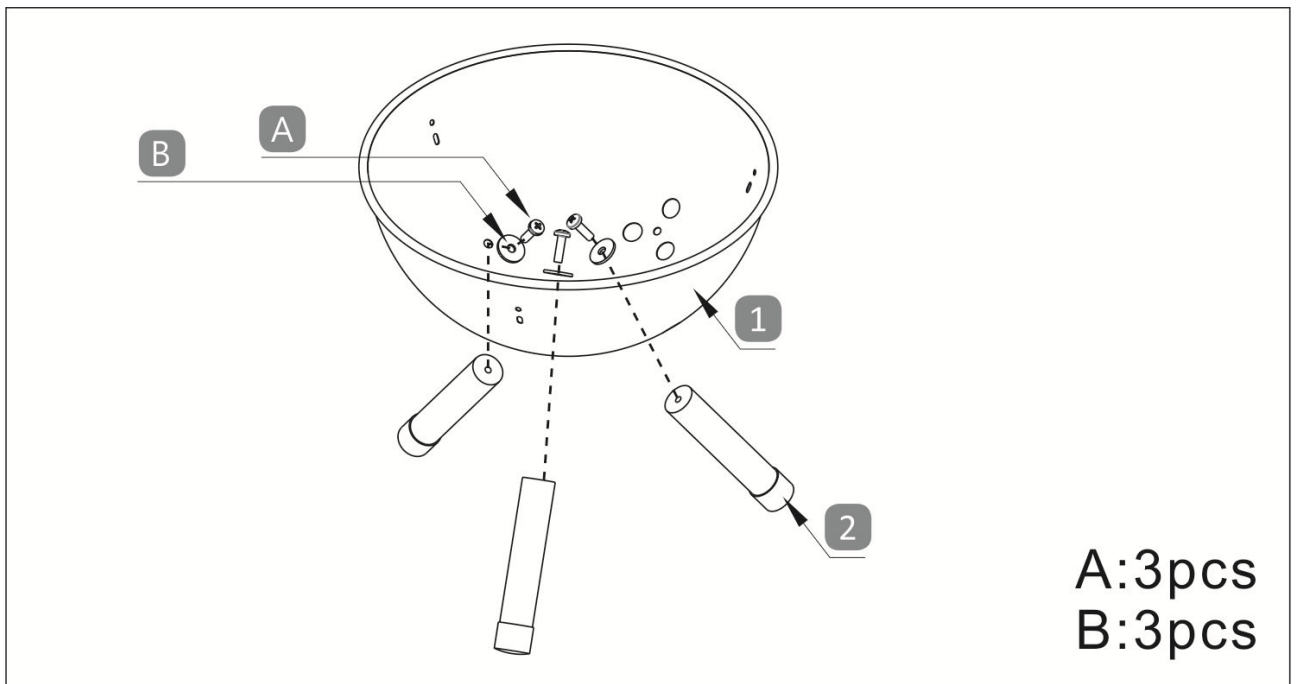
- Remove all contents from packaging, and make sure all the parts are present before attempting to assemble!
- Tighten all bolt connections by hand first.
- When the BBQ is fully assembled, retighten the screws, nuts and bolts by using a wrench and screw driver.

TOOLS REQUIRED

- Philips screwdriver
- Pliers or adjustable spanner

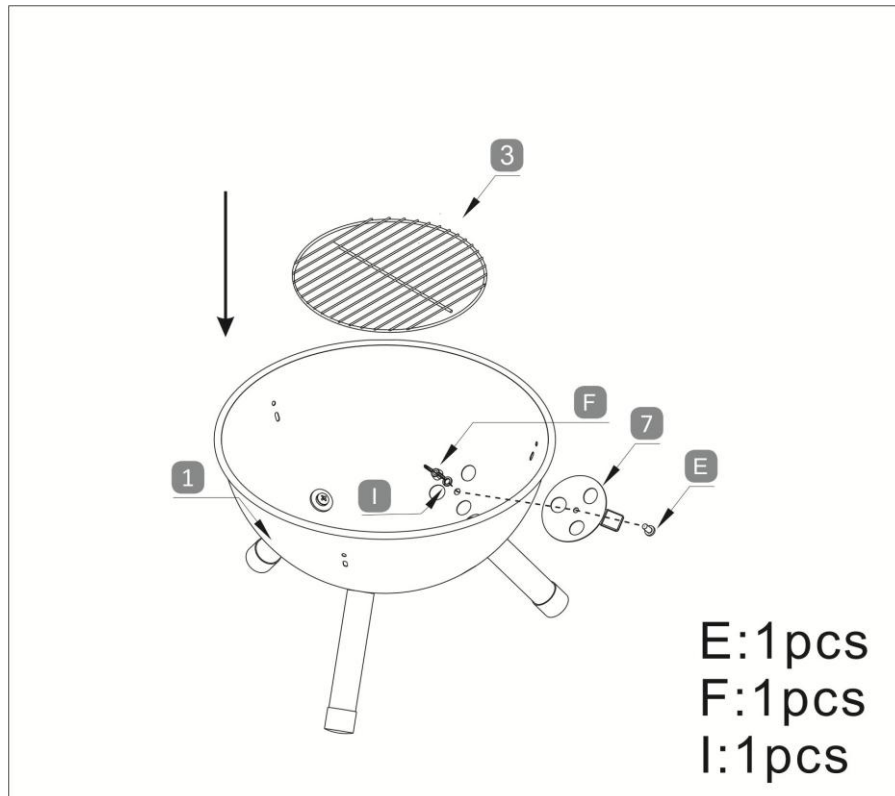
STEP 1

Assemble the legs (part 2) on to the BBQ body (part 1) as shown below. Use bolt (part A) and flat washer (part B) to secure.



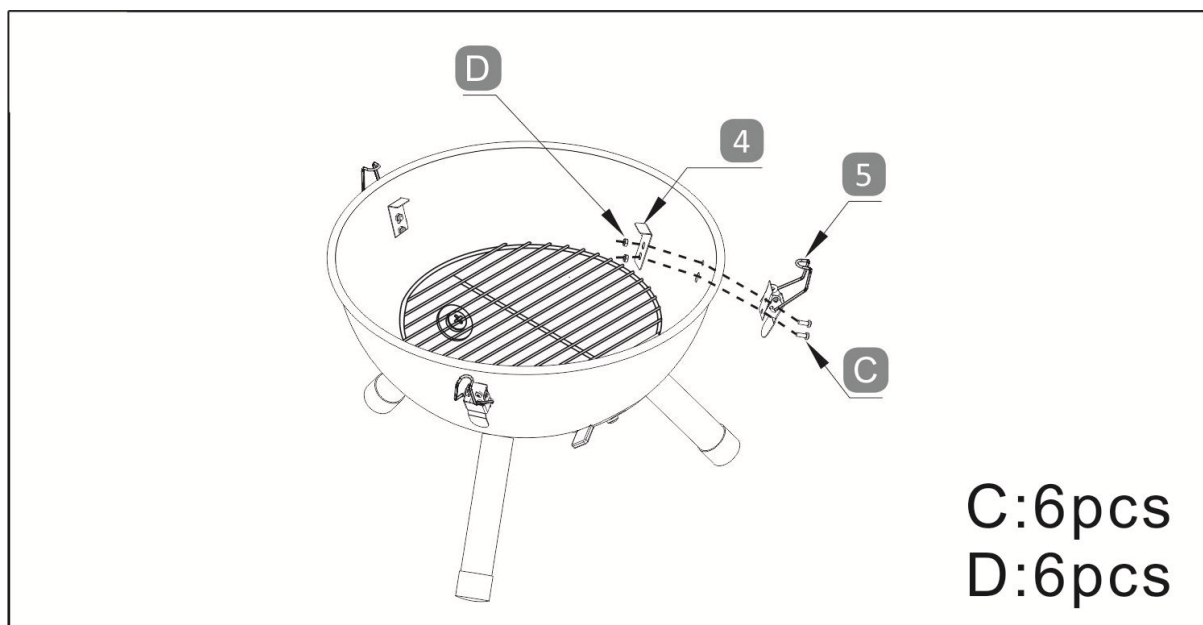
STEP 2

Assemble the air vent (part 7) on to the BBQ body (part 1) as shown below. Use bolt (part E), nut (part I) and wing nut (part F) to secure. Place charcoal grid (part 3) into the BBQ body (part 1) as per illustration below.



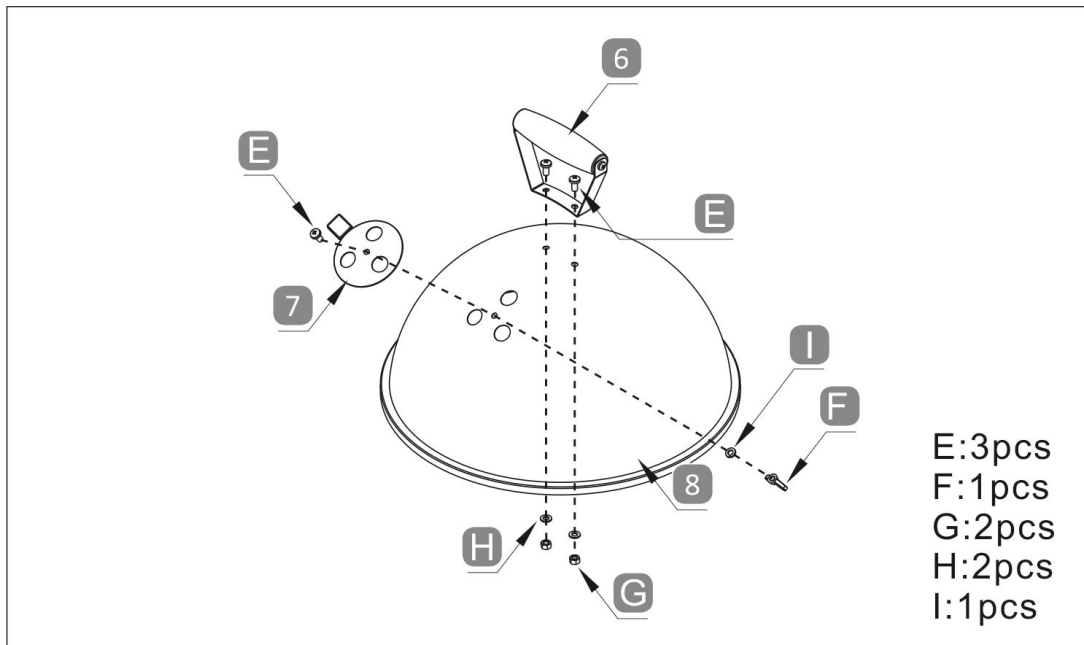
STEP 3

Assemble the buckle support (part 4) and buckle (part 5) onto the BBQ body (part 1) as per illustration below. Secure with bolt (part C) and nut (part D).



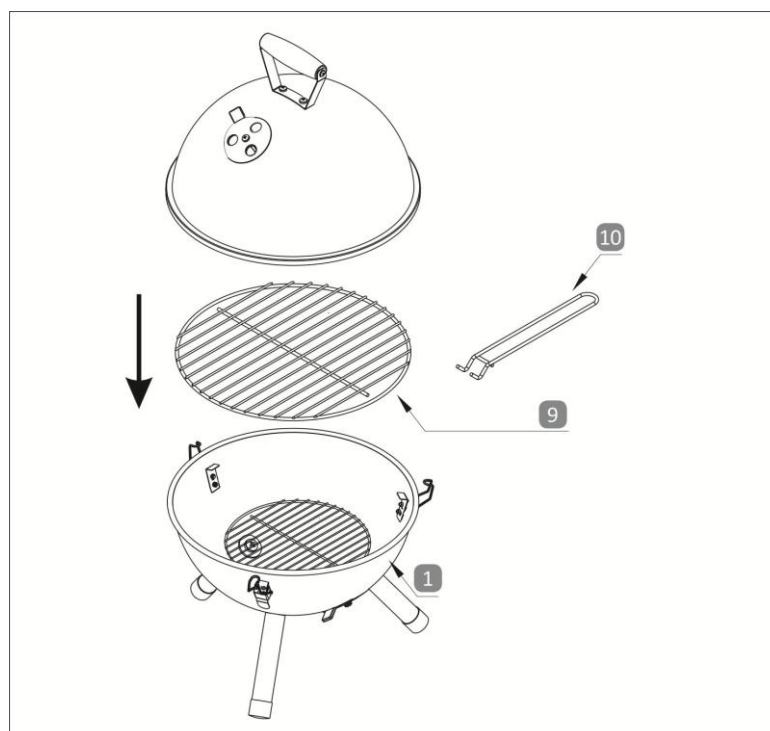
STEP 4

Assemble the air vent (part 7) onto the BBQ body (part 1) by using bolt (part E), nut (part I) and wing nut (part F) as per illustration below. Assemble the handle (part 6) onto the BBQ body (part 1) by using bolt (part E), flat washer (part H) and nut (part G) as per illustration below.

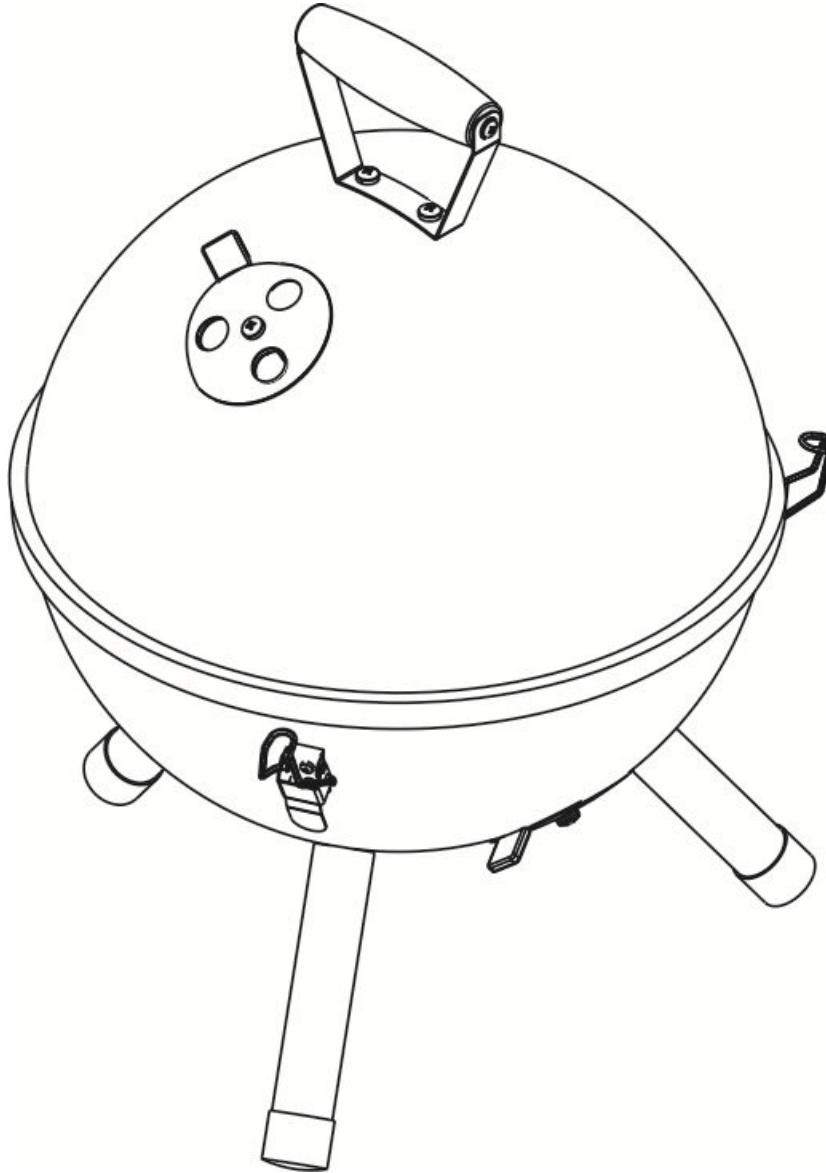


STEP 5

Place the cooking grill (part 9) into the BBQ body as per illustration below. The cooking grill handle (part 10) can be used to removed cooking grill when required.



Fully Assembled



Your BBQ is now ready for use.
Please take care when lighting your BBQ.
Always keep children away from this BBQ at all times.



WARRANTY

Thank you for purchasing one of our quality Jumbuck BBQs.

YOUR JUMBUCK BBQ IS COVERED AGAINST DEFECTS FOR A PERIOD OF 12 MONTHS FOR PARTS AND LABOUR, REPAIR OR REPLACEMENT THIS WARRANTY EXCLUDES SURFACE RUST AND DAMAGE CAUSE BY ABUSE OR NEGLIGENCE

CONDITIONS OF THE WARRANTY

- The appliance must be operated and maintained in accordance with the instructions supplied in the operating manual.
- Any repair does not extend the warranty period.
- Any parts other than original Jumbuck parts will void this warranty.

FOR WARRANTY CLAIMS

The warranty for Australia is given by :

Genesis International Corporation Pty Ltd
1/71 Truganina Road, Malaga, Western Australia,
6090, AUSTRALIA

(08) 9248 9822

service@genesiscorp.com.au

Proof of purchase must be presented.

The warranty for New Zealand is given by :

Bunnings NZ Limited
PO Box 14436,
Panmure, Auckland, 1471

NEW ZEALAND

(09) 978 2200

marketing@bunnings.co.nz

Proof of purchase must be presented.

Any claims under this warranty must be made within 12 months of the date of purchase of the product.



WARRANTY

For Australian Customers

To make a claim under the warranty, please contact Genesis International at service@genesiscorp.com.au or return the product (with proof of purchase) to any Bunnings store. Visit www.bunnings.com.au for store locations.

Genesis International bears reasonable, direct expenses of claiming under the warranty. You may submit details and proof to us for consideration.

The warranty covers manufacturer defects in materials, workmanship and finish under normal use.

This warranty is provided in addition to other rights and remedies you may have under law: our goods come with guarantees which cannot be excluded under the Australian Consumer Law. You are entitled to replacement or refund for a major failure and to have the goods repaired or replaced if the goods fail to be of acceptable quality and the failure does not amount to a major failure.

The warranty excludes damage resulting from product misuse or product neglect. The warranty covers domestic use only and does not apply to commercial applications.

For New Zealand Customer

Any claim under this warranty must be made within 12 months of the date of purchase of the product. To make a claim under the warranty, take the product (with proof of purchase) to any Bunnings store. Visit www.bunnings.co.nz for store locations.

Bunnings NZ Ltd bears reasonable, direct, expenses of claiming under the warranty. You may submit details and proof to our store for consideration.

The warranty covers manufacturer defects in materials, workmanship and finish under normal use.

This warranty is provided in addition to other rights and remedies you may have under law: our goods come with guarantees which cannot be excluded under the Consumer Guarantees Act 1993 (NZ). You are entitled to replacement or refund for a major failure and to compensation for other reasonably foreseeable loss or damage. You are also entitled to have the goods repaired or replaced if the goods fail to be of acceptable quality and the failure does not amount to a major failure.

Goods presented for repair may be replaced by refurbished goods of the same type rather than being repaired. Refurbished parts may be used to repair the goods.

The warranty excludes damage resulting from product misuse or product neglect. The warranty covers domestic use only and does not apply to commercial applications.



WARRANTY

WHAT IS NOT COVERED IN THE WARRANTY

- Removal or re-installation costs. This warranty does not cover costs for transit, nor in home service
- Liability will only be accepted for loss or damage during transit if at the time the product was being transported by Bunnings or a Bunnings approved contractor
- Lack of maintenance, abuse, neglect, misuse, accidental or improper installation of this appliances
- Scratches, dents, corrosion or discoloration caused by heat, abrasive chemicals cleaners
- Corrosions or damage caused by exposure to elements such as insects, weather, hail or grease and fat fires
- Rusting of the grill
- Cleaning and wear and tear, service calls of this nature are chargeable
- Commercial use of this product
- Unauthorized repairs or modification during warranty period

RECORD THE FOLLOWING INFORMATION

Attached the copy of the purchase receipt here

Date of Purchase.....

Purchased From.....

Location.....

Model Name and Number.....

Serial Number.....

Receipt Number.....

Note: The serial number is located either on the outside of the packing carton or inside the appliance

FOR TECHNICAL ASSISTANCE

For Australia customers if you experience any technical issues with your JUMBUCK BBQ, in the first instance review the instructions manual or contact the warranty service agent

For New Zealand customers if you experience any technical issues with your JUMBUCK BBQ, in the first instance review the instructions manual or contact your local Bunnings warehouse

FOR SPARE PARTS

Call your local Bunnings warehouse and ask them to order a part for you. You should provide the following information:

Model of BBQ
.....

Year of Purchase
.....

Name of warranty service company
.....

Part that requires replacement (refer to the parts list in the instructions manual)
.....

