

Mondella

CONCERTO
SLEEK EDGE

CONCERTO IN WALL CISTERN AND FRAME

- Invisible Fixing Points.
- Dual Flush WELS 4 Star 4.5/3 Litres.
- Suits Concerto and Signature Wall Hung Pan (Available Separately).

Item Number: 4870430



WaterMark

AS1172.2
WM74539
ApprovalMark

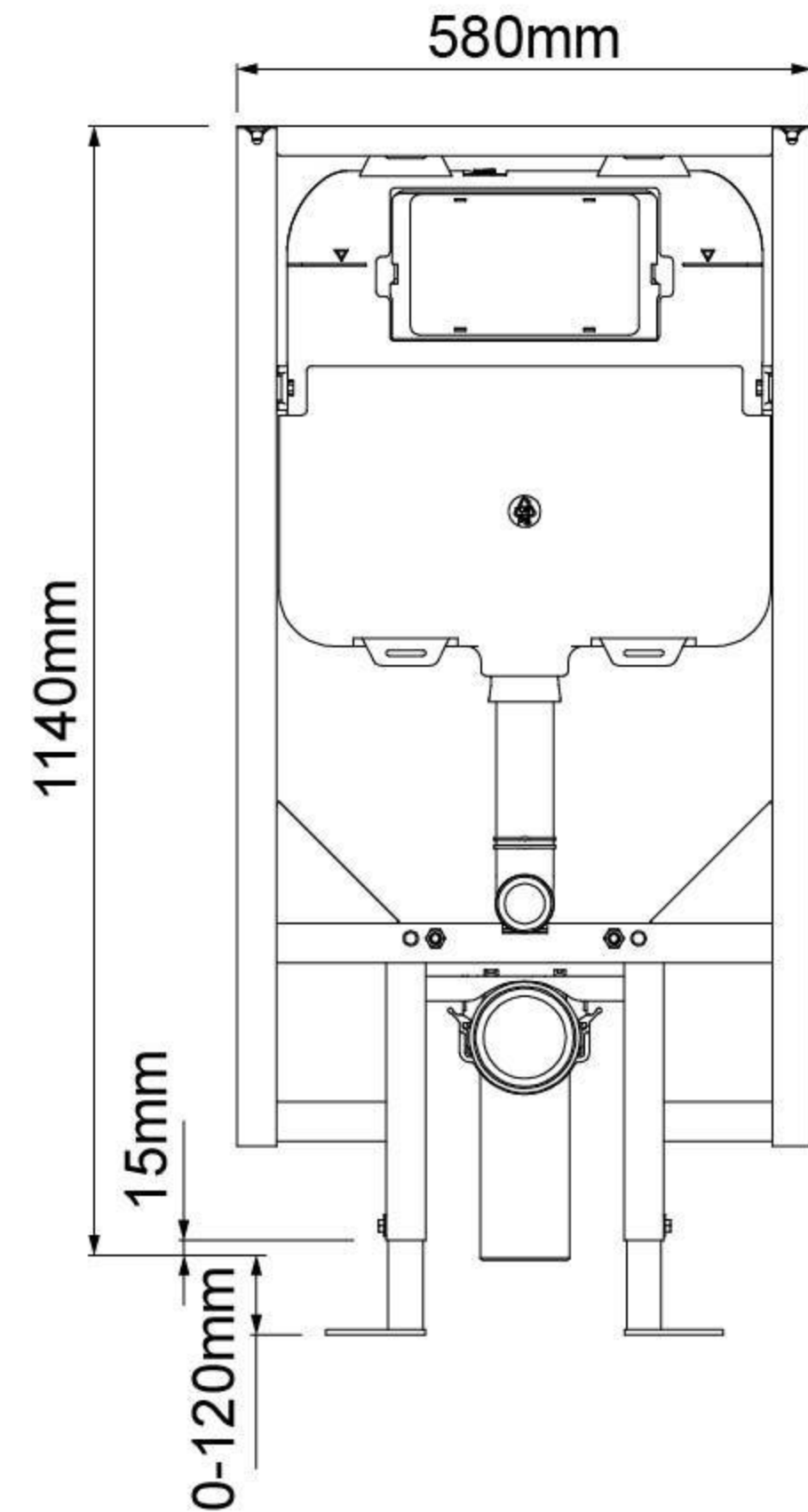


**10
YEAR
WARRANTY***



* refer to www.mondella.com.au for full warranty details

4870430-FLV1
08/01/18



All dimensions in millimetres (mm) and subject to manufacturing tolerances.