

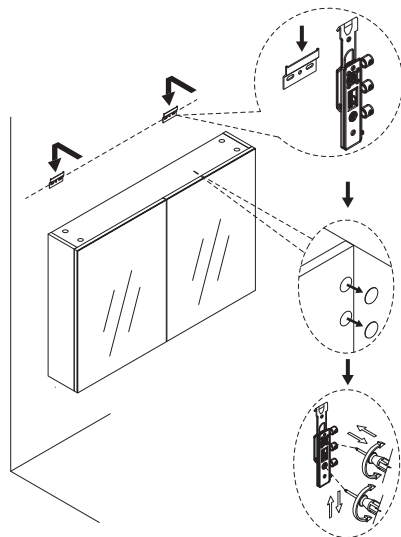
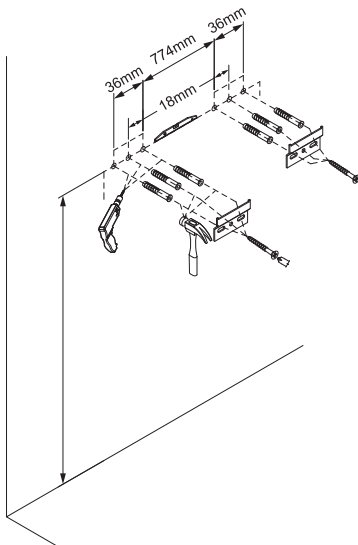
## 900MM SHAVING CABINET INSTALLATION GUIDE

### IMPORTANT

- Please refer to the warranty card for any claims or exclusions to the warranty.
- Prior to installation, all parts and components should be thoroughly inspected for defects. This product will not be warranted if it has been installed with pre-existing defects.
- All plumbing must be installed by a licensed plumber.
- This product must not be installed in an area where it may be exposed to splashing water from a bath or shower.
- The included wall plugs are for use with solid walls only. It is the installer's responsibility to ensure that suitable fixings are used and that the product is mounted to a structure capable of supporting the weight of the cabinet when fully loaded.

### INSTALLATION

1. Measure the distance between the centres of the brackets on the back of the cabinet and transfer those measurements to the wall. Mark the position for the wall brackets.
2. Using an appropriate drill bit (e.g. masonry bit for tiles), drill holes in the marked out locations.  
Note: ensure there are no hidden cables or pipes in the wall prior to drilling.
3. Insert the wall plugs.
4. Install the screws to secure the wall brackets.
5. Slide the cabinet downwards onto the wall brackets. Fine-tune the cabinet brackets, by turning the adjustment screws (through the access holes on the inside of the cabinet), to achieve a snug fit.



### CARE & MAINTENANCE

- The cabinet is moisture resistant, not waterproof. Damage may occur if the cabinet is exposed to water for extended periods of time. Excess water should be wiped dry at the earliest opportunity. Ensure the bathroom has adequate ventilation to prevent moisture build up.
- Clean with a soft cloth and warm water. Do not use abrasive cleaners or harsh chemicals. Ensure cabinet is adequately dried after cleaning. Avoid leaving toothpaste or residues from other bathroom products on the surface for extended periods.