



# FAMILY SHIELD

## INSTRUCTION MANUAL

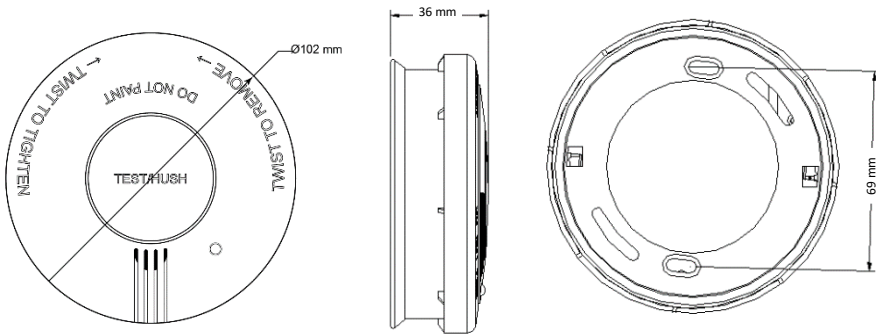
### SMOKE ALARM FS-588H

Read the instruction manual before use

**CE**<sub>15</sub> EN 14604:2005/AC:2008  
1134-CPR-124

### SPECIFICATIONS

Shape and size:



Model Number:	FS-588H
Detection Type:	Photoelectric Sensor
Working Voltage:	9V DC Battery
Current:	Quiescent Current: $\leq 12\mu\text{A}$ Alarming Current: $\leq 20\text{mA}$
Alarming Decibel:	$\geq 85\text{dB}/3\text{m}$
HUSH Status:	LED flashes every 10 seconds
Standby Status:	LED flashes every 43 seconds
Low Battery Status:	Special 'low battery' beep around every 43 seconds
LED Indicator:	LED (Red)
Low Voltage Alarm:	$\leq 7.35\text{V}$
Working Temperature:	$-10^\circ\text{C} \sim +40^\circ\text{C}$
Working Humidity:	$\leq 95\%RH$ (no water gel)

### SMOKE ALARM PLACEMENT

Minimum coverage is one unit for every floor, in every sleeping area, or in every bedroom. For additional coverage, Family Shield recommends you install units in all rooms, halls, and storage areas where temperatures normally remain between  $4^\circ\text{C}$  and  $40^\circ\text{C}$ .

More specifically, install smoke alarms:

- On every level of your home, including finished attics
- Inside every bedroom, especially if people sleep with doors closed
- In the hall near every sleeping area. If your home has multiple sleeping areas, install a unit in each. If the hall is over 12 meters long, install an alarm at each end.
- At the top of the first-to-second floor stairway

Do not mount the smoke alarm in:

- A room in which the temperature can reach below  $4^\circ\text{C}$  and above  $40^\circ\text{C}$
- Damp spaces and areas with high humidity
- Directly in front of doors or windows
- Near a ventilator or radiator
- Near appliances or areas where normal combustion regularly occurs (kitchens, near furnaces, hot water heaters)
- Extremely dusty, dirty, or insect-infested areas where loose particles interfere with smoke alarm operation
- Distances under 50 cm from fluorescent lights or low-energy bulbs

It is not recommended for this product to be installed in high humidity, dusty or high temperature environments such as the kitchen or bathroom.

### INSTALLATION GUIDE

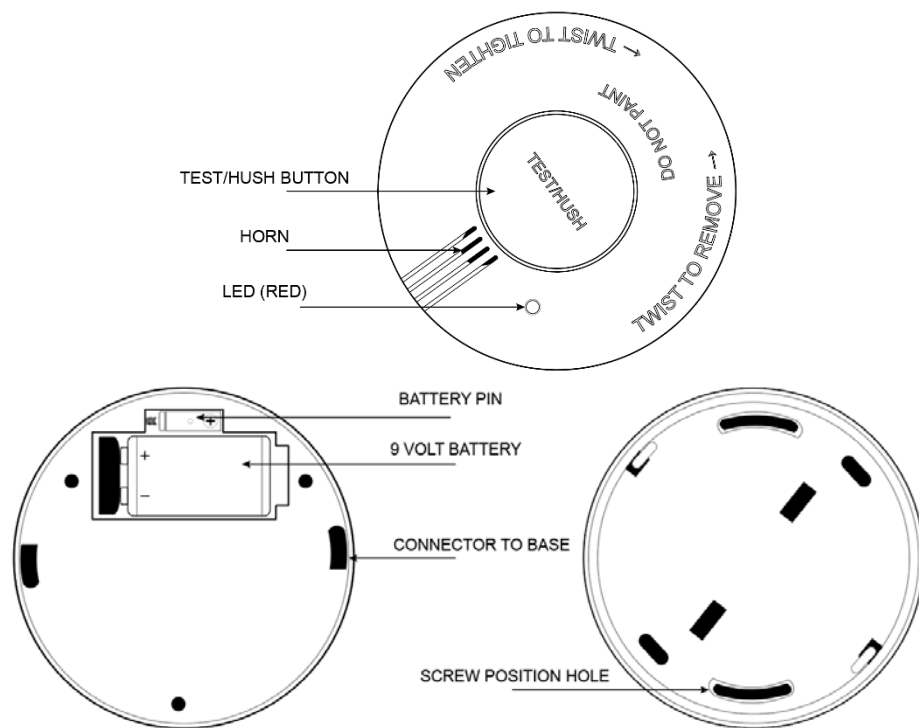


**Important!** If the battery is not installed correctly, the detector will not work and will be damaged. If the battery is correctly installed, the red LED will flash once every 43 seconds.

- Take the product out of the packaging. Remove the base from the smoke alarm by rotating it anticlockwise.
- Take out the 9V battery from the battery compartment and remove the plastic film. Connect the battery to the battery buckle and put it back into the battery compartment.
- Press and hold the TEST/HUSH button. The red LED will flash quickly and the detector will sound. This means the detector is working. At the same time, the product goes into low sensitivity detection mode. After 10 minutes, the product will go into standard sensitivity detection mode.

## INSTALLATION

1. Remove smoke alarm from base plate by turning it anticlockwise.
2. Mark out the position of two drill holes on the ceiling using the fixing slots on the base plate as a guide. Drill the holes and insert the plastic fixing anchors.
3. Fix the base plate onto the ceiling, securing it with the provided screws into the anchor fixings.
4. Ensure that the battery is correctly installed and well connected to the smoke alarm (use the TEST/HUSH button to check) and fasten the smoke alarm to the pre-installed base, turning it clockwise.
5. Use the TEST/HUSH button again to make a final check.



## TESTING THE SMOKE ALARM

1. Firmly push the TEST/HUSH button, and the smoke alarm will sound a loud beep. The alarm will stop sounding after the button is released.
2. If the smoke alarm does not sound, please retest the smoke alarm. Do not use an open flame to test this smoke alarm.



**DANGER!** If the alarm sounds and it is not being tested, the smoke alarm is sensing smoke. This requires your immediate attention and action.

## MAINTENANCE & TROUBLESHOOTING

Test the smoke alarm regularly and after battery replacement using the TEST/HUSH button. In addition to regular testing, this smoke alarm requires periodic cleaning to remove dust, dirt, and debris.

Clean the smoke alarm at least once a month. Using the soft brush or wand attachment to a vacuum cleaner, vacuum all sides and cover of smoke alarm. Be sure all vents are free of debris. If necessary, use a damp cloth to clean the smoke alarm cover.



**IMPORTANT!** Do not remove the cover to clean inside the smoke alarm. This will void your warranty.

If the product does not work properly, please check the product as per the Troubleshooting guide below. If the product still fails to work, please contact your retailer.

FAILURE	REASON	SOLUTION
Smoke alarm does not sound when tested.	9V battery not installed correctly	Install the 9V battery with the correct battery polarity (+/-)
Low battery beep around every 43 seconds	Low voltage of 9V battery	Replace the battery



**WARNING!** Do NOT disconnect battery to quiet an unwanted alarm. Fan the air or open a window to remove smoke or dust.



Imported and distributed by Harkness & Young Ltd.  
 PO BOX 11-344,  
 Ellerslie, Auckland 1542,  
 New Zealand  
[www.harco.co.nz](http://www.harco.co.nz)