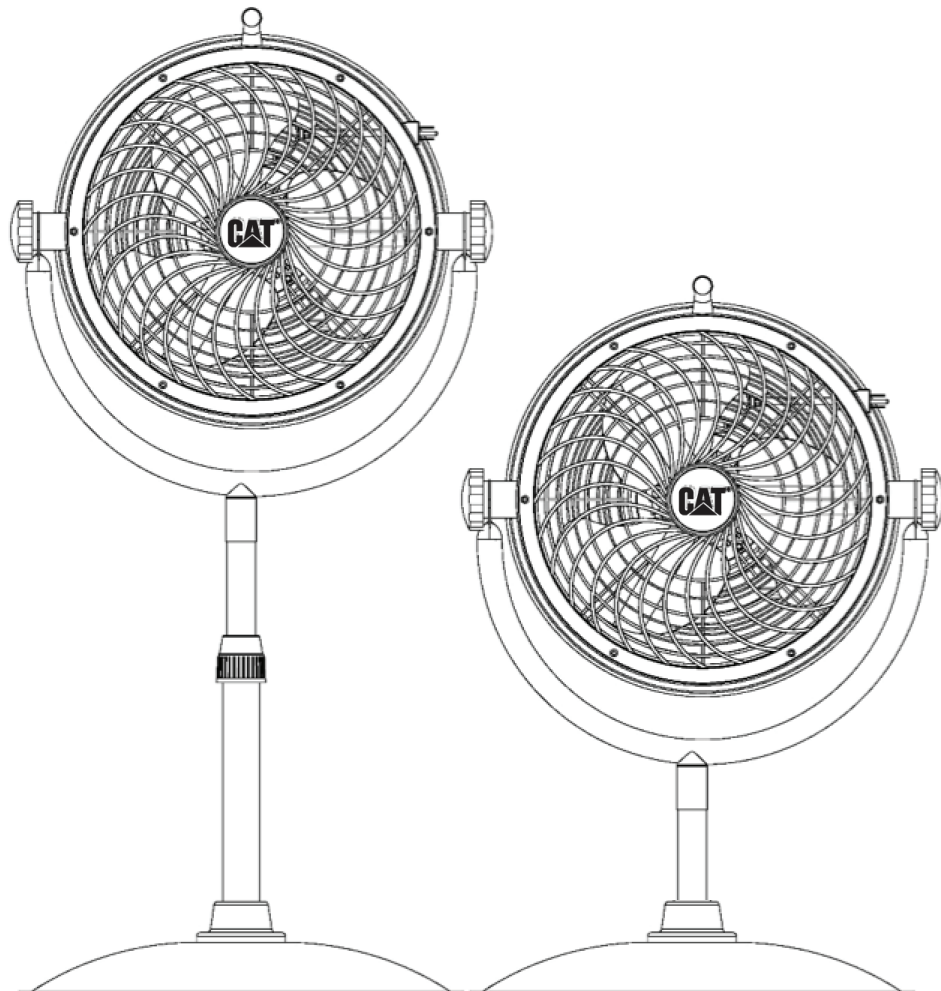




14" HIGH-VELOCITY PEDESTAL
DRUM AIR CIRCULATOR (2-IN-1)
MODEL: HVPD14AC
OWNER'S MANUAL



READ AND SAVE THESE INSTRUCTIONS.

ASSEMBLY AND OPERATING INSTRUCTIONS

CAUTION:

Read and follow all instructions before operating fan.
DO NOT use fan if any part is damaged or missing.

WARNING:

To reduce the risk of fire or electrical shock, do not expose to water or rain. To reduce the risk of fire or electrical shock, do not use this fan with any solid state speed control device. This appliance has a 3-prong plug. To reduce the risk of electrical shock, this plug is intended to fit in an outlet only one way. If this does not fit the outlet, contact a qualified electrician. Do not attempt to bypass this procedure. If the supply cord is damaged, it must be replaced by the manufacturer, its service agent or similarly qualified person in order to avoid a hazard.

RULES FOR SAFE OPERATION:

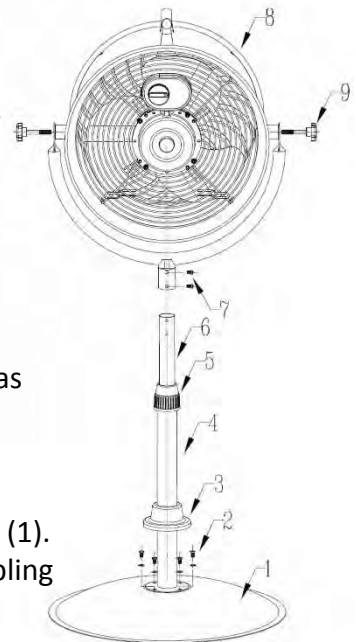
- Never insert fingers or any other objects through the grille guard when fan is in operation.
- Disconnect the fan when moving from one location to another.
- Disconnect the fan when removing guards for cleaning.
- Be sure fan is on a stable, flat surface when in operation.
- DO NOT use fan in windows. Rain and moisture may create electrical hazard.

CAUTION: Do not alter the fan's assembly.

WARNING: Be sure **FRONT** and **REAR GUARD** screw are completely screwed down in locking position before operation.

TO INSTALL AS PEDESTAL FAN STAND POLE ASSEMBLY

1. Attach STAND POLE (4) to the BASE (1) with 4 screws & spring washers (2) as shown, tighten them SECURELY. 2.
 2. Loosen the ROUND PLASTIC NUT (5) at the STAND POLE (4) and extend INNER TUBE (6) to desired height.
 3. Slide COVER RING (3) down to STAND POLE (4) and rest on the top of BASE (1).
- CAUTION:** The ROUND PLASTIC NUT (5) must be fully tightened before assembling the MOTOR (8) to the INNER TUBE (6).

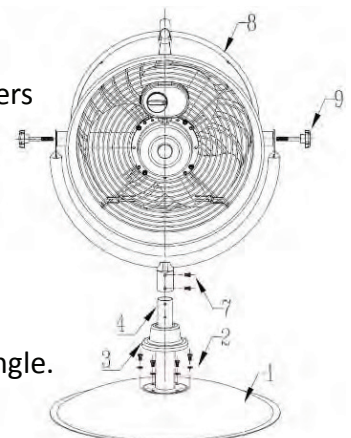


STAND POLE & MOTOR ASSEMBLY INSTRUCTIONS

1. Locate the MOTOR (8) and insert into the INNER TUBE (6).
2. Align the hole of the INNER TUBE (6), tighten the screw & washer (7) SECURELY.
3. Attach two 3-WING PLASTIC KNOBS (9) to the fan for adjusting the airflow angle.

TO INSTALL AS FLOOR FAN

1. Attach SHORT STAND POLE (4) TO THE BASE (1) with 4 screws & spring washers (2) as shown, tighten them SECURELY.
2. Slide COVER RING (3) down to SHORT STAND POLE (4) and rest on the top of BASE (1).
3. Locate the MOTOR (8) and insert into the SHORT STAND POLE (4).
4. Align the hole of the SHORT STAND POLE (4), tighten the screw & washer (7) SECURELY.
5. Attach two 3-WING PLASTIC KNOBS (9) to the fan for adjusting the airflow angle.



WARNING:

- The fan can be wall/ceiling-mounted by securing it to a wall/ceiling stud using appropriate fixings.
- To reduce the risk of electric shock and personal injury, ensure the location for all mounting is able to support this fan.
- This fan is recommended to be mounted by a qualified electrician.

OPERATING INSTRUCTIONS

TO ADJUST AIRFLOW UPWARD OR DOWNWARD:

Tilt fan head to the desired angle by loosening THE KNOB, then firmly tighten it back.

SPEED CONTROL

Rotate SWITCH to OFF (0), MAX (4), HIGH (3), MEDIUM (2) and LOW (1) speeds for respective air velocity. It is normal for the motor to feel warm to touch after continuous operation. This fan features a thermal cutoff that will automatically shut off should it overheat for any reason. If this happens, immediately unplug the fan from the outlet.

CLEANING

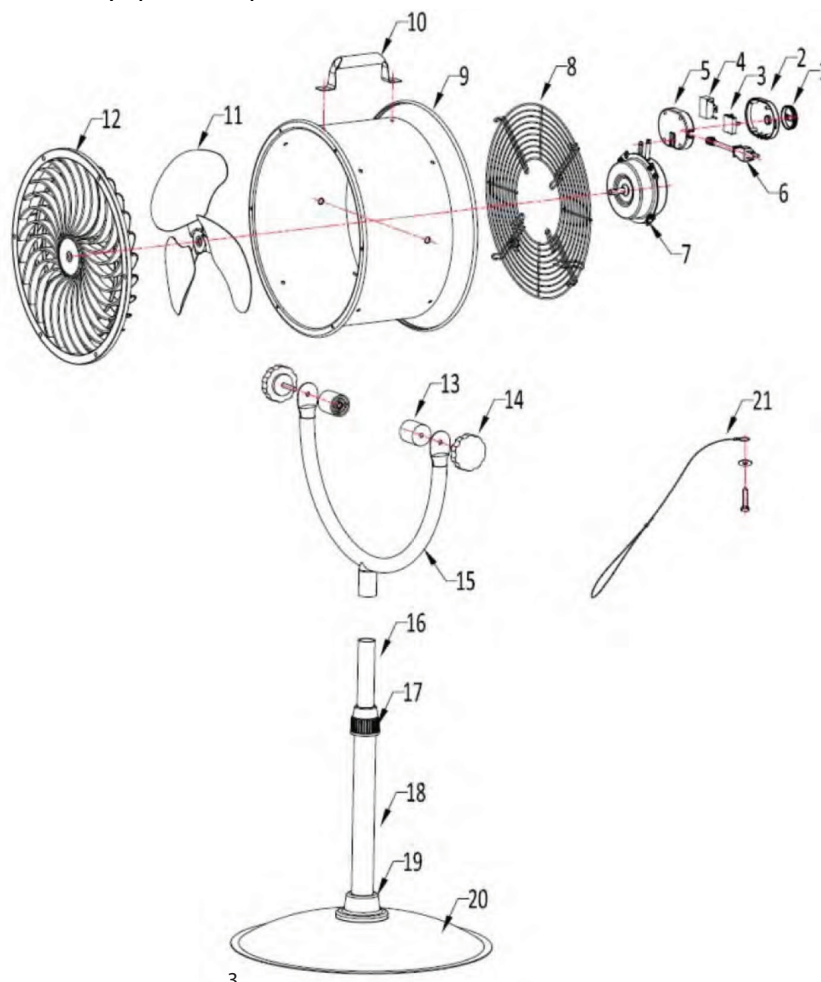
WARNING: Unplug from electrical supply source before cleaning.

After servicing, any safety device (including grilles and blades) must be reinstalled or remounted as previously installed:

- Use soft damp cloth to clean. Then wipe with dry cloth.
- Do not use a cleaning solution that is harmful to paints or plastics.
- Do not bend the blades.
- The motor bearings are permanently sealed and do not require additional lubrication.

WARNING: This product is not intended for use by persons (including children with reduced physical, sensory or mental capabilities, or lack of experience and knowledge, unless they have been given supervision or instruction concerning use of the product by a person responsible for their safety. Children should be supervised to ensure that they do not play with the product. If the supply cord is damaged, it must be replaced by the manufacturer, its service agent or similarly qualified persons in order to avoid a hazard.

DIAGRAM	
NO	PART NAME
1	KNOB
2	FRONT SWITCH BOX
3	SWITCH
4	CAPACITOR
5	REAR SWITCH BOX
6	POWER CORD
7	MOTOR
8	REAR GRILLE
9	METAL DRUM
10	HANDLE
11	FAN BLADE
12	FRONT GRILLE
13	WASHER
14	KNOB
15	U BRACKET
16	INNER TUBE
17	PLASTIC NUT
18	STAND POLE
19	COVER RING
20	BASE
21	SAFETY CABLE



3-YEAR LIMITED WARRANTY

Warranty Conditions for purchase in Australia

The manufacturer warrants this product to be free from manufacturing defects in material and workmanship under normal use for a period of three (3) years after the date of purchase by the original purchaser. To make a claim under the warranty in Australia, take the product (with proof of purchase) to any Bunnings store (see www.bunnings.com.au for store locations).

Orient Fan Co. bears reasonable, direct, expenses of claiming under the warranty in Australia. You may submit details and proof to a Bunnings store for consideration or contact our service agent below.

This warranty is provided in addition to other rights and remedies you may have under law: our goods come with guarantees which cannot be excluded under the Australian Consumer Law. You are entitled to replacement or refund for a major failure and to compensation for other reasonably foreseeable loss or damage. You are also entitled to have the goods repaired or replaced if the goods fail to be of acceptable quality and the failure does not amount to a major failure.

The warranty excludes damage resulting from product misuse or product neglect

This warranty is given by Orient Fan Co.

For Warranty and technical queries: +61 1800 870 133

Or email : customerservice@catwarranty.com

Warranty Exclusions

This warranty does not cover transit damages. This warranty does not apply to damages from accident, faulty installation, misuse, abuse, alteration of any kind of fan or where the connected voltage is more than 5% above the nameplate voltage. This warranty does not apply to the finish on any portion of the product. Service performed by unauthorized persons shall render the warranty invalid.



Now you can register your warranty online by going to www.catfan.info.



USING YOUR SMARTPHONE CAMERA HOVERING OVER THE QR CODE A LINK WILL POP-UP DIRECTING YOU TO OUR WARRANTY FORM PAGE.



www.cat.com / www.caterpillar.com
© 2025 Caterpillar. All Rights Reserved. CAT, CATERPILLAR, LET'S DO THE WORK, their respective logos, "Caterpillar Corporate Yellow", the "Power Edge" and Cat "Modern Hex" trade dress as well as corporate and product identity used herein, are trademarks of Caterpillar and may not be used without permission. Orient Fan Co., a licensee of Caterpillar Inc.