

jumbuck®



Rondo Small Charcoal Spit Roaster

With Rotisserie

- Powder Coated Steel
- 240v Powered Rotisserie-Turns 15kg Weight
- Rotisserie With Adjustable Height
- Adjustable Side Ventilation
- Dimensions: 890Lx420Wx625Hmm



Solid Fuel



Cooking Grill



Adjustable Side Ventilation



JUMBUCK RONDO SMALL CHARCOAL SPIT ROASTER (HS-FP006)

SAFETY INSTRUCTIONS



- For outdoor use only.
- Improper installation, adjustment, alteration, service or maintenance can cause property damage, injury or death.
- Read the installation instructions thoroughly before installing this equipment.
- Warning: accessible parts may be very hot. Keep young children away.
- Do not move the appliance during use.
- Any modification of the appliance may be dangerous and will void the warranty.
- Installer to leave instructions with the consumer and consumer to retain them for future reference.
- Please ensure all packaging and transit protection materials are removed prior to using the spit roaster.

IMPORTANT! PLEASE READ THESE INSTRUCTIONS CAREFULLY BEFORE USE!

IMPORTANT: READ THE ASSEMBLY INSTRUCTIONS IN THIS BOOKLET BEFORE REMOVING THE CONTENTS OF THIS CARTON

IMPORTANT SAFETY INSTRUCTIONS

This appliance must only be used in an above ground open-air situation with natural ventilation, without stagnant areas, where products of combustion are rapidly dispersed by wind and natural convection



- This SPIT ROASTER is an **outdoor appliance only**. Under no circumstances should it be use indoors.
- Do not store chemicals or flammable materials near this appliance.
- Unsupervised children should not be near the SPIT ROASTER while cooking or during warm up or cool down.
- People with flammable clothing such as nylon etc. should keep well away from the SPIT ROASTER when it is operating.

DO NOT	OPERATE THIS APPLIANCE BEFORE READING THE INSTRUCTION BOOKLET
DO NOT	PLACE ARTICLES ON OR AGAINST THIS APPLIANCE
DO NOT	STORE CHEMICALS OR FLAMMABLE MATERIALS OR SPRAY AEROSOLS NEAR THIS APPLIANCE
DO NOT	OPERATE THIS APPLIANCE INDOORS
DO NOT	ENCLOSE THIS APPLIANCE
DO NOT	LIGHT OR OPERATE WITH THE COVER ON (COVER NOT INCLUDED)

SPIT ROASTER OPERATING GUIDELINES

Lighting the spit roaster

- solid fuel is to be used for this product (fire wood, charcoal etc.)
- place solid fuel into the spit roaster and light using fire starters
- let the solid fuel light (check occasional to ensure fire is lit)
- ensure air vents are in the open position to enable solid fuel to burn
- the air vents on the side of the spit roaster can be used regulate the air circulation in the spit roaster
- closing the vents will reduce air circulation and in turns reduces heat
- opening the vents will increase air circulation and increases heat

Cooking

- ensure solid fuel is lit and that there is sufficient heat for cooking
- secure the food on the skewer, position skewer at desired height and switch on the motor
- the cooking grid can also be used to cook
- regularly monitor temperature to ensure food in not under or over cooked

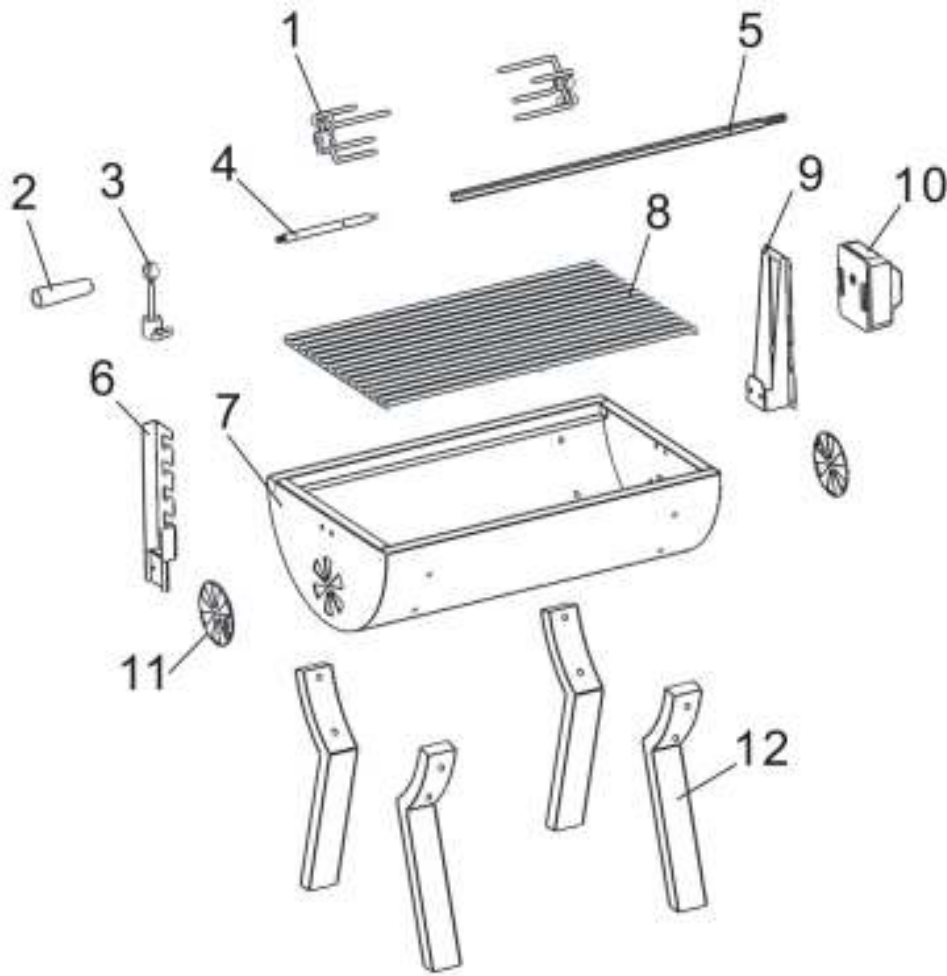
Cleaning

- once finish cooking, remove left over solid fuel from the spit roaster
- always ensure spit roaster is clean and free from oil or grease (internally and externally) to ensure longevity of the spit roaster
- always keep spit roaster dry and under cover to protect from weather and moisture

Pre-caution











- always ensure hands are protected when putting or removing food from the spit roaster
- always ensure spit roaster is cool before touching or cleaning the internal areas
- always ensure hands are protected when making adjustments to the air vent


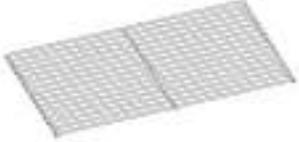
EXPLODED VIEW AND PARTS CODE



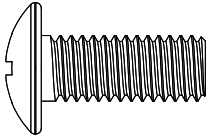
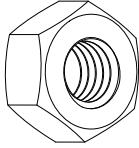
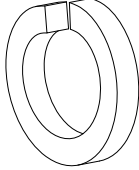
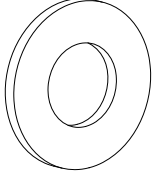
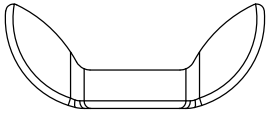
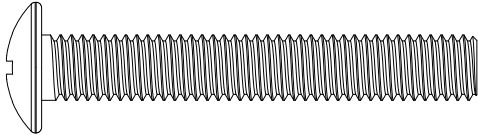
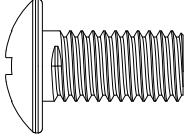
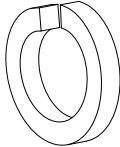
Part Number	Part Name	Supplier Code
1	Rotisserie Spike	FP00601
2	Handle	FP00602
3	Weight	FP00603
4	Rotisserie Pole	FP00604
5	Rotisserie Arm	FP00605
6	Rotisserie Support	FP00606
7	Body	FP00607
8	Cooking Grid	FP00608
9	Motor Support	FP00609
10	Motor	FP00610
11	Air Vent	FP00611
12	Leg	FP00612

CARTON CONTENTS

No.	Description	Q'ty	No.	Description	Q'ty
1	Body 	1 Pc	2	Leg 	4 Pcs
3	Motor Support 	1 Pc	4	Rotisserie Support 	1pc
5	Rotisserie Arm 	1pc	6	Rotisserie Spike 	2pcs
7	Air Vent 	2pcs	8	Weight 	1pc
9	Handle 	1pc	10	Motor 	1pc

11	Rotisserie Pole 	1pc	12	Cooking Grid 	1pc
----	--	-----	----	--	-----

HARDWARE PACK CONTENTS

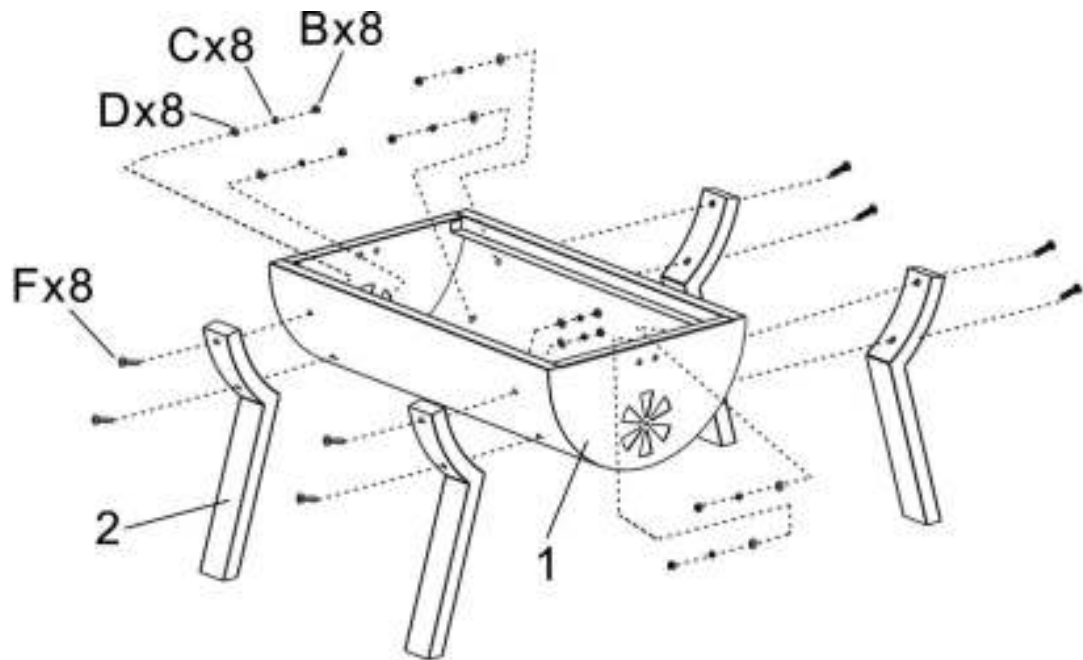
A	Bolt: M6x12 	4 Pcs	B	Nut M6 	12 Pcs
C	Lock Washer M6 	8 Pcs	D	Flat Washer M6 	8 Pcs
E	Wing Nut M5 	2 Pcs	F	Bolt: M6x35 	8 Pcs
H	Bolt: M5x10 	2 Pcs	I	Lock Washer M5 	2 Pcs

ASSEMBLY INSTRUCTIONS

Remove all contents from packaging, and make sure all the parts are present before attempting to assemble! Tighten all bolt connections by hand first. When the spit roaster is fully assembled, retighten the screws, nuts and bolts by using a wrench and screwdriver.

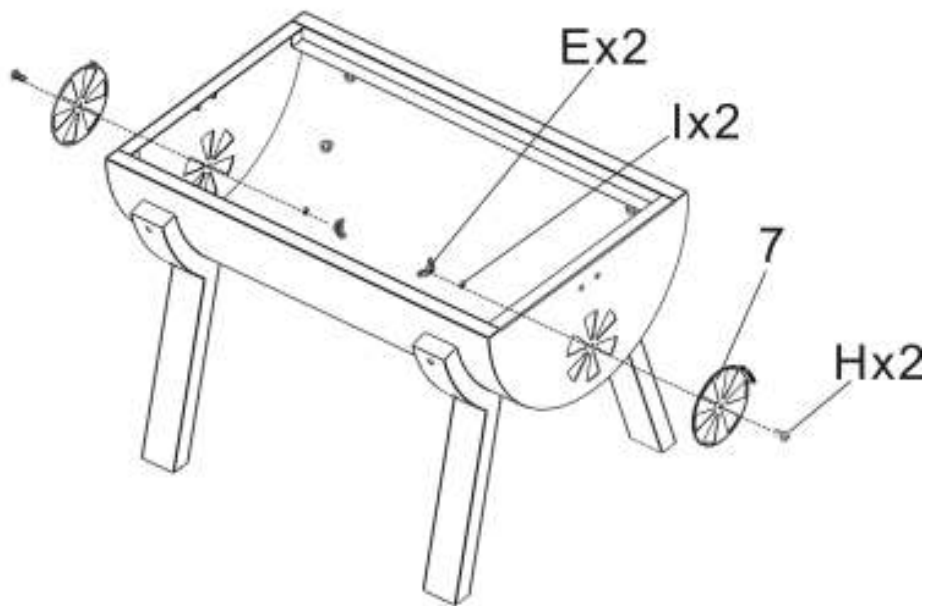
STEP 1

Assemble Leg (Part 2) to the Body (Part 1) as per illustration. Use Bolt F, Lock Washer C, Flat Washer D and Nut B to tighten.

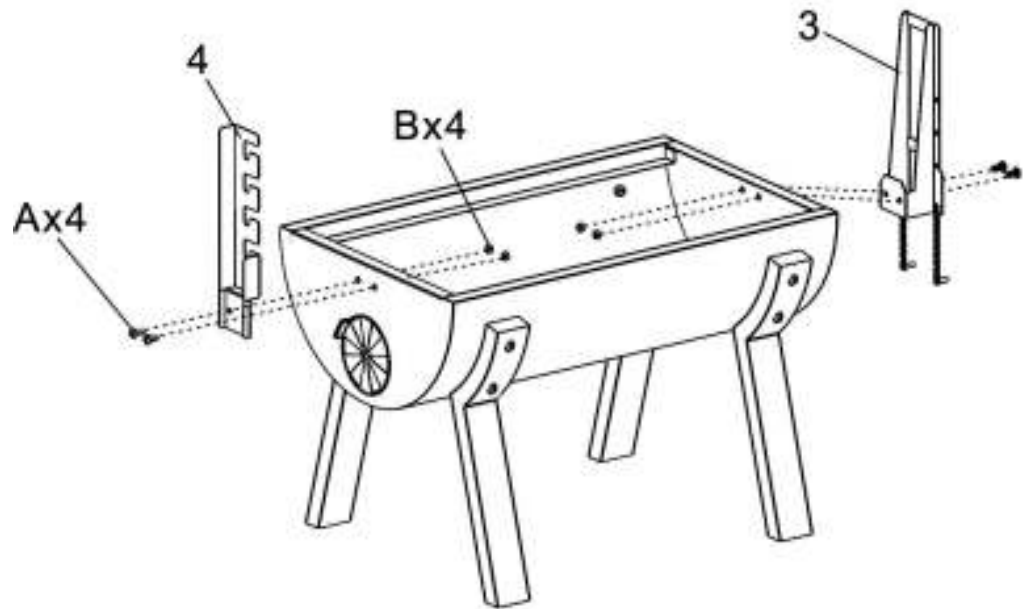


STEP 2

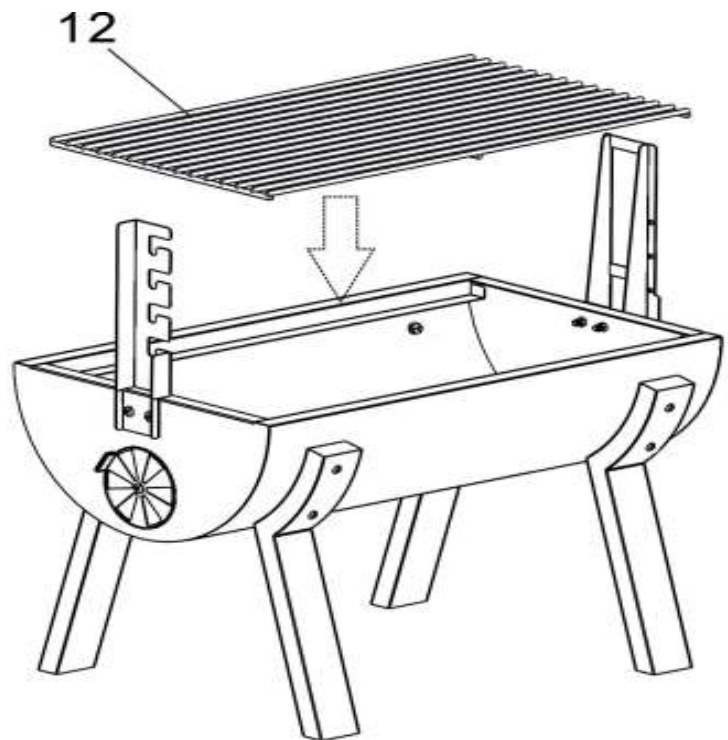
Assemble Air vent (Part 7) to the Body, as per illustration. Use Bolt H, Lock Washer I and Wing Nut E to tighten.



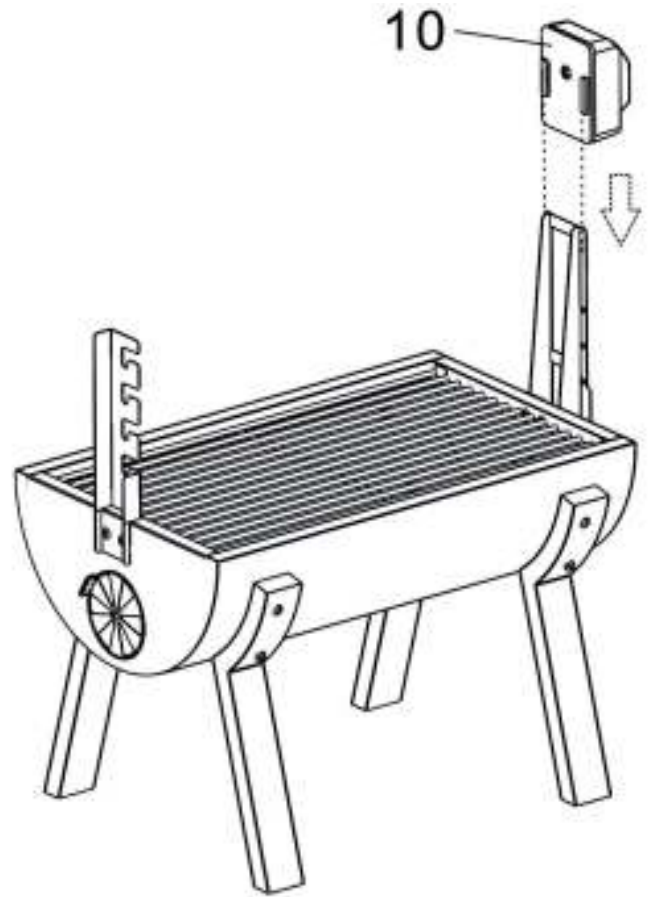
STEP 3
Assemble Motor Support
(Part 3) and Rotisserie
Support(Part 4) to the body
as per illustration.
Use Bolt A and Nut B to
tighten.



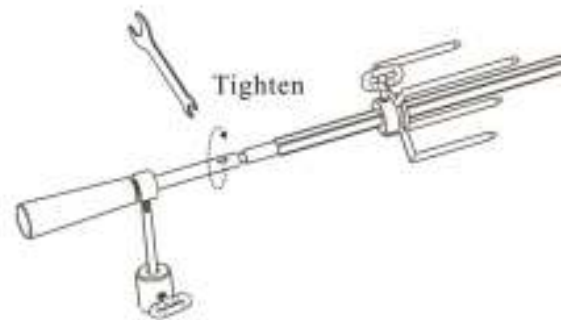
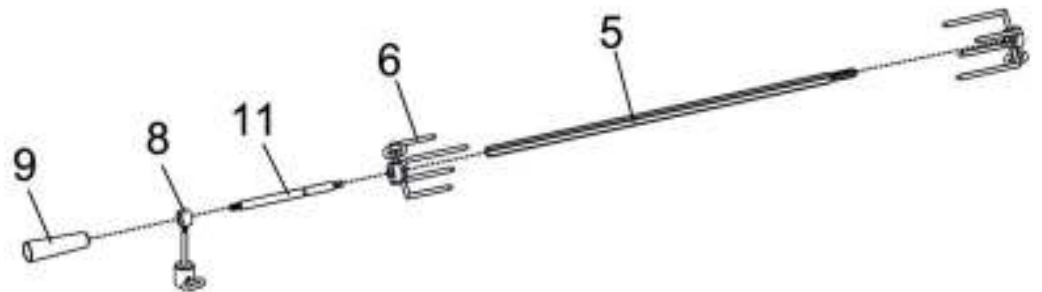
STEP 4
Place the Cooking Grid (Part 12) onto the
body as per illustration.



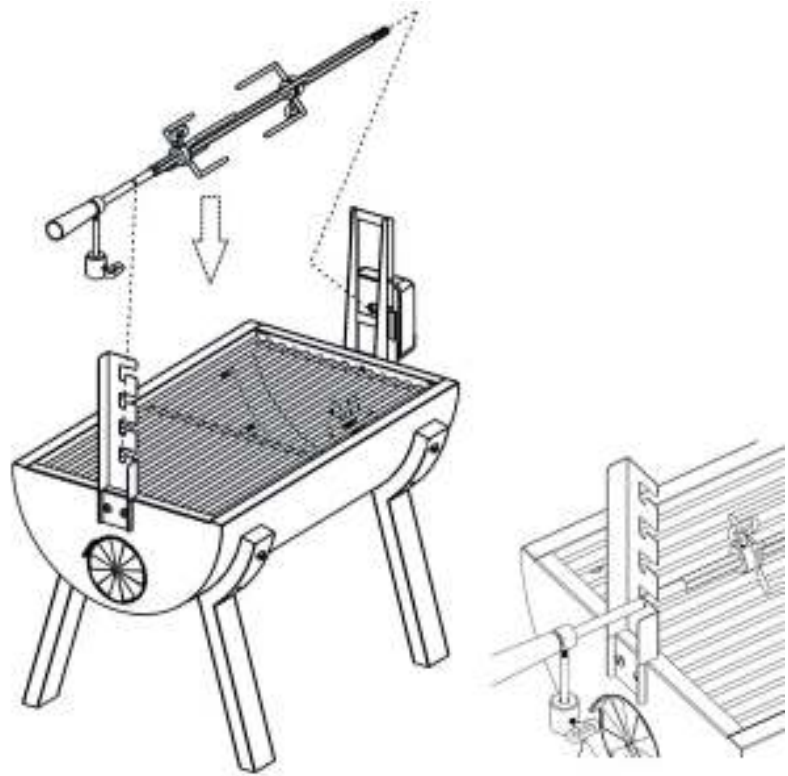
STEP 5
Insert Motor (Part 10) onto the Motor Support, as per illustration.



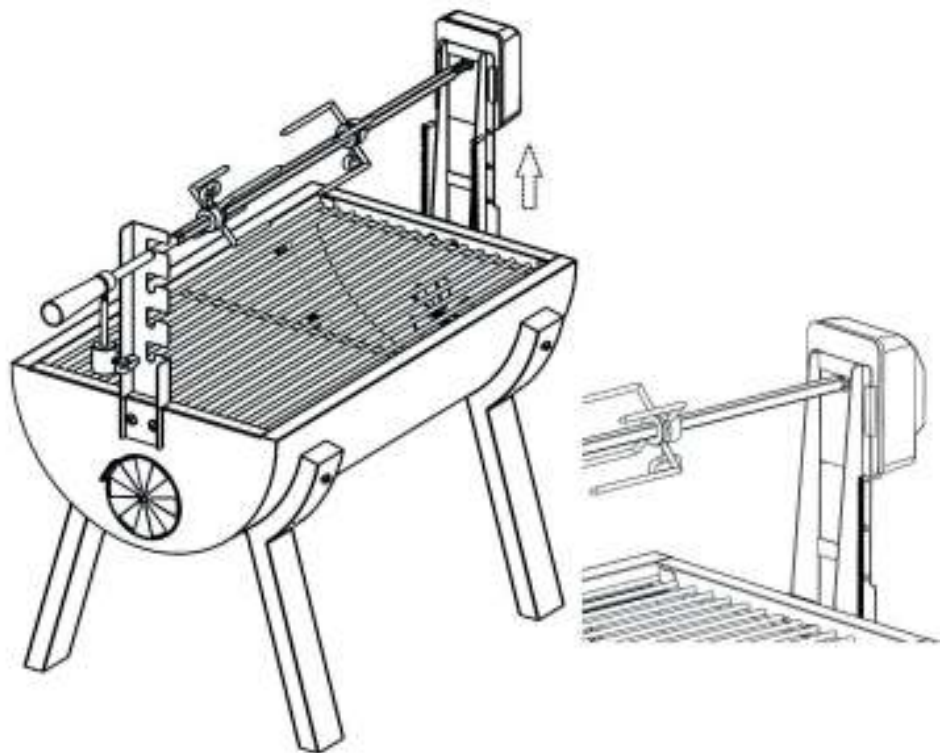
STEP 6
Assemble the rotisserie parts as per illustration.



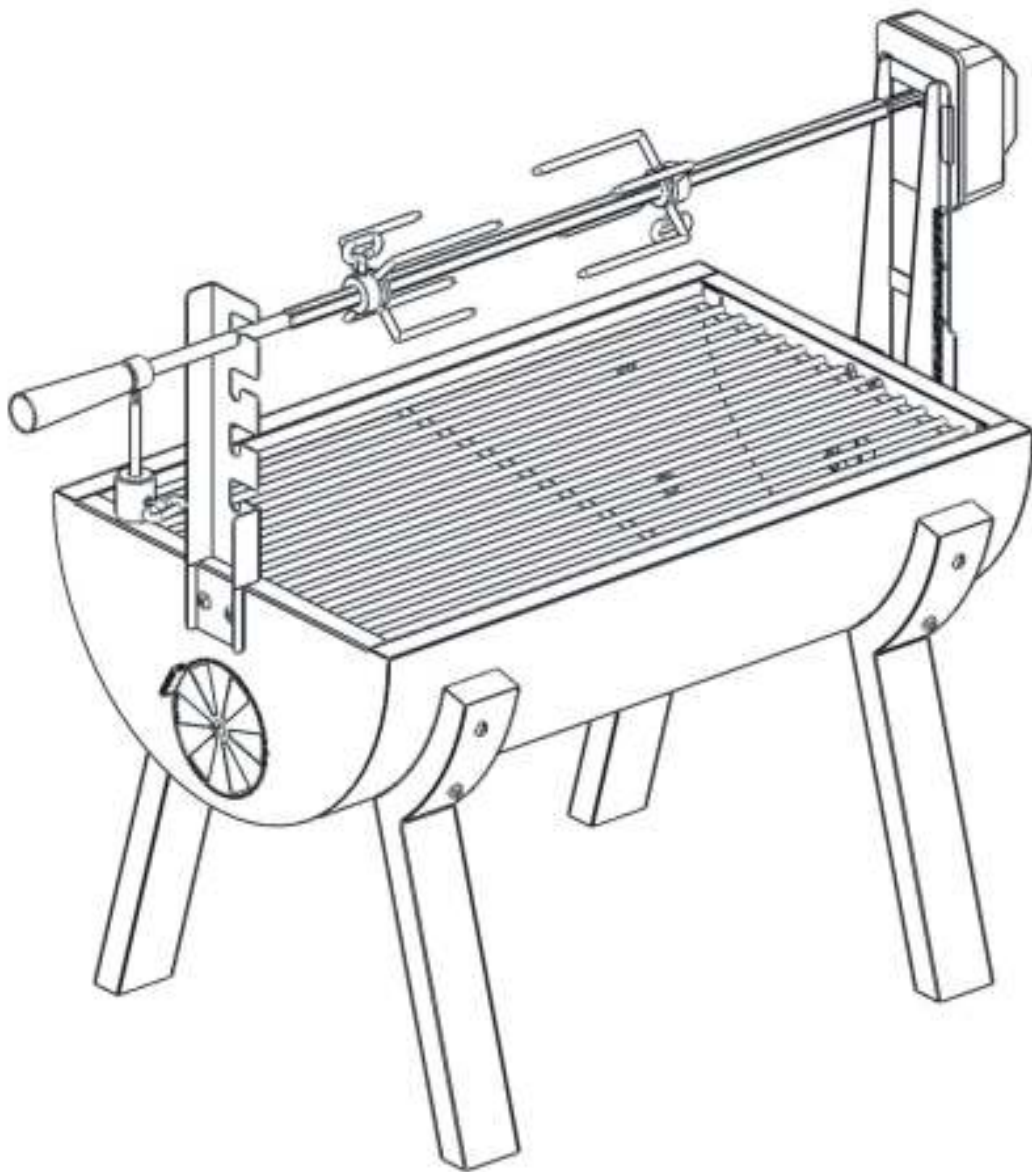
STEP 7
Insert Spit Pole into the Motor as per illustration.



Height Adjustments
When using another height, adjust Motor to desired height and use plug pin to affix. Insert Spit Pole into the motor, as per illustration.



Fully-Assembled



Your spit roaster is now ready for use.
Please take care when lighting your spit roaster.
Keep children away from the spit roaster at all time.

Thank you for purchasing one of our quality
Jumbuck Spit Roaster.

**YOUR JUMBUCK SPIT ROASTER IS COVERED
AGAINST DEFECTS FOR A PERIOD OF 12
MONTHS FOR PARTS AND LABOUR, REPAIR OR
REPLACEMENT**

**THIS WARRANTY EXCLUDES SURFACE RUST
AND DAMAGE CAUSE BY ABUSE OR NEGLECT**

CONDITIONS OF THE WARRANTY

- The appliance must be operated and maintained in accordance with the instructions supplied in the operating manual.
- Any repair does not extend the warranty period.
- Any parts other than original Jumbuck parts will void this warranty.

FOR WARRANTY CLAIMS

The warranty for Australia is given by :

Genesis International Corporation Pty Ltd

1/71 Truganina Road,

Malaga

Western Australia 6090

AUSTRALIA

(08) 9248 9822

service@genesiscorp.com.au

Proof of purchase must be presented.

The warranty for New Zealand is given by :

Bunnings NZ Limited

PO Box 14436,

Panmure, Auckland, 1471

NEW ZEALAND

(09) 978 2200

marketing@bunnings.co.nz

Proof of purchase must be presented.

Any claims under this warranty must be made within 12 months of the date of purchase of the product.



WARRANTY

For Australian Customers

To make a claim under the warranty, please contact Genesis International at service@genesiscorp.com.au or return the product (with proof of purchase) to any Bunnings store. Visit www.bunnings.com.au for store locations.

Genesis International bears reasonable, direct expenses of claiming under the warranty. You may submit details and proof to us for consideration.

The warranty covers manufacturer defects in materials, workmanship and finish under normal use.

This warranty is provided in addition to other rights and remedies you may have under law: our goods come with guarantees which cannot be excluded under the Australian Consumer Law. You are entitled to replacement or refund for a major failure and to have the goods repaired or replaced if the goods fail to be of acceptable quality and the failure does not amount to a major failure.

The warranty excludes damage resulting from product misuse or product neglect. The warranty covers domestic use only and does not apply to commercial applications.

For New Zealand Customer

Any claim under this warranty must be made within 12 months of the date of purchase of the product. To make a claim under the warranty, take the product (with proof of purchase) to any Bunnings store. Visit www.bunnings.co.nz for store locations.

Bunnings NZ Ltd bears reasonable, direct, expenses of claiming under the warranty. You may submit details and proof to our store for consideration.

The warranty covers manufacturer defects in materials, workmanship and finish under normal use.

This warranty is provided in addition to other rights and remedies you may have under law: our goods come with guarantees which cannot be excluded under the Consumer Guarantees Act 1993 (NZ). You are entitled to replacement or refund for a major failure and to compensation for other reasonably foreseeable loss or damage. You are also entitled to have the goods repaired or replaced if the goods fail to be of acceptable quality and the failure does not amount to a major failure.

Goods presented for repair may be replaced by refurbished goods of the same type rather than being repaired. Refurbished parts may be used to repair the goods.

The warranty excludes damage resulting from product misuse or product neglect. The warranty covers domestic use only and does not apply to commercial applications.



WARRANTY

WHAT IS NOT COVERED IN THE WARRANTY

- Removal or re-installation costs. This warranty does not cover costs for transit, nor in home service
- Liability will only be accepted for loss or damage during transit if at the time the product was being transported by Bunnings or a Bunnings approved contractor.
- Lack of maintenance, abuse, neglect, misuse, accidental or improper installation of this appliances
- Scratches, dents, corrosion or discoloration caused by heat, abrasive chemicals cleaners
- Corrosions or damage caused by exposure to elements such as insects, weather, hail or grease and fat fires
- Rusting of cooking grill
- Cleaning and wear and tear, service calls of this nature are chargeable
- Commercial use of this product
- Unauthorized repairs or modification during warranty period

RECORD THE FOLLOWING INFORMATION

Attached the copy of the purchase receipt here

Date of Purchase.....

Purchased From.....

Location.....

Model Name and Number.....

Serial Number.....

Receipt Number.....

Note: The serial number is located either on the outside of the packing carton or outside or inside the appliance

FOR TECHNICAL ASSISTANCE

For Australia customers if you experience any technical issues with your JUMBUCK SPIT ROASTER, in the first instance review the instructions manual or contact the warranty service agent

For New Zealand customers if you experience any technical issues with your JUMBUCK SPIT ROASTER, in the first instance review the instructions manual or contact your local Bunnings warehouse

FOR SPARE PARTS

Call your local Bunnings warehouse and ask them to order a part for you. You should provide the following information:

Model of SPIT ROASTER
.....

Year of Purchase
.....

Name of warranty service company
.....

Part that requires replacement (refer to the parts list in the instructions manual)
.....