

Padlock Range



We take the worry out of
protecting what's valuable to you.
Lockwood: *no worries*[®]

LOCKWOOD

ASSA ABLOY

25YEAR

**MECHANICAL
WARRANTY**

www.lockweb.com.au

Contents

Value Range



110 Series

Brass Body Padlocks

page 7



141 Series

Combination Padlock

page 9



150 Series

Combination Padlock

page 11

High Security



120N Series

Brass Body Padlocks with Silicone Jackets

page 14



334B Series

High Security Brass Body Padlocks

page 16



334S Series

Steel Body Padlocks

page 18



334C Series

Shrouded Steel Body Padlocks

page 20



334M Series

Stainless Steel Body Padlocks

page 22

Maximum Security



270 Series

Steel Body Padlocks

page 25



290 Series

Steel Body Monoblock Padlocks

page 27



301 Series

Steel Body Padlocks

page 29



356S Series

Steel Body Padlocks

page 31



356M Series

Steel Body Padlocks

page 33

Contents

Padlock Accessories



Padbolt

page 37



Locking Plates

page 39



**Locking Plates
with Shackle Guard**

page 41



Hasp and Staples

page 43



**Hasp and Staples
- Hinged**

page 45



**Hasp and Staples
- Heavy Duty**

page 47



**Hasp and Staples
- Pivoting**

page 49



Padlock Chain

page 51

Safety Lockout Padlocks



214 and 215 Series

Aluminium Body Padlocks

page 54



215P Series

Plastic Body Padlocks

page 56



225 Series

Padlock

page 58



312 Series

Padlocks

page 60



312

Safety Lockout Hasp

page 62

Contents



214 and 215 Series

Aluminium Body Padlocks

page 64



215P Series

Plastic Body Padlocks

page 68



Value Range Padlocks

Value Range Padlocks

110 Series Brass Body Padlocks



The Lockwood Solid Brass 110 Series Padlocks are designed for barrier and deterrent level protection in applications such as school lockers and letter boxes.

Features

- Pin tumbler mechanisms
- Self-latching shackle function
- Single locking on 20 and 25mm padlocks
- Double locking on 30, 35 and 40mm padlocks

Product Details

Materials	Body: Brass. Shackle: Hardened steel.
Function	Spring loaded shackle with latching function where the key can be removed with the shackle in the open position.
Finish	Body: Natural material. Shackle: Chrome plate.
Shackles	Available in a variety of diameters and lengths. See specifications section for available options.

Standards and Compliance

**UP TO
GRADE
SP4**

Physical Security grades are employed for padlocks. These grades are defined in part by the effective differs and key combinations. Padlocks Physical Security (SP) grade range up to Grade 4.



Corrosion Resistance Rating C2: Environments that are normally dry, including the majority of interiors.

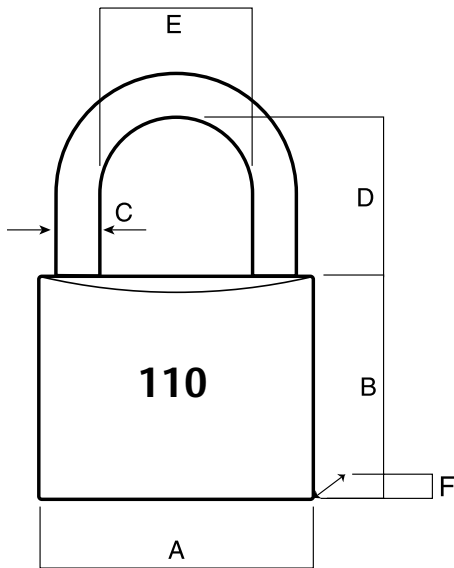


Corrosion Resistance Rating C3: Environments that are sometimes damp in the majority of normal rural and suburban localities, including interiors where condensation may occur.

Designed and tested to the Australian Padlock Standard AS4145.4 2002 and are rated for both security and corrosion resistance.

Value Range Padlocks

110 Series Brass Body Padlocks



Specifications

Part Number	Dimensions (mm)						Physical Security Rating	Corrosion Resistance Rating
	A	B	C	D	E	F		
110/20/111	20	20.0	3.2	11	10	11	-	C2
110/25/115	25	24.5	4.0	15	13	12	SP1	C2
110/30/119	30	27.0	4.8	19	18	13	SP2	C3
110/35/121	35	29.5	5.5	21	19	13	SP3	C3
110/40/123	40	32.5	6.4	23	22	15	SP4	C3

Available Pack Variations

Part Number	NDP	2NDP	4NDP
110/20/111	•	•	•
110/25/115	•	•	•
110/30/119	•	•	
110/35/121	•		
110/40/123	•	•	

Value Range Padlocks

141 Series Combination Padlock



The Lockwood 141 Series Padlock is a 50mm stainless steel dial type combination padlock with key override. Designed as basic protection for barrier and deterrent applications such as school lockers where access by authorised staff is required.

Features

- Key override for immediate access by authorised staff
- Steel latch mechanism
- Brass 4 pin tumbler mechanism
- Brightly coloured dial for easy identification
- Positive three digit dialling gives maximum combinations
- Anti manipulation feature standard
- Automatic combination scramble when shackle is closed to prevent unauthorised reopening of padlock
- Keying and system management using Lockwood ProMaster software
- Combination code charts supplied with every order
- Available in RCKA (Random Codes, Keyed Alike) only

Product Details

Materials	Body: Stainless steel. Shackle: Hardened steel.
Function	Three code dial combination. Automatic combination scramble when shackle is closed to prevent unauthorised reopening of padlock.
Finish	Body: Natural material. Shackle: Chrome plate.
Shackles	8mm diameter, 22mm long shackle only.

Note: Minimum order quantity and minimum pack size 50

Standards and Compliance

SP3

Physical Security grades are employed for padlocks. These grades are defined in part by the effective differs and key combinations. Padlocks Physical Security (SP) grade 3.

Corrosion Resistance

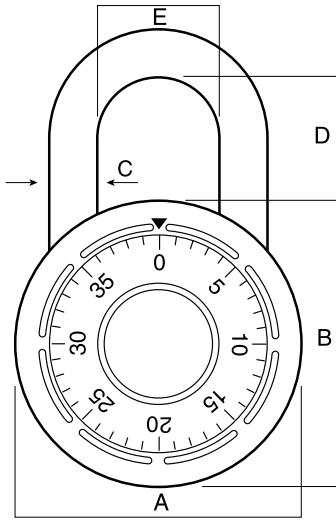
Rating C3: Environments that are sometimes damp in the majority of normal rural and suburban localities, including interiors where condensation may occur.



Designed and tested to the Australian Padlock Standard AS4145.4 2002 and are rated for both security and corrosion resistance.

Value Range Padlocks

141 Series Combination Padlock



Specifications

Part Number	Dimensions (mm)					Physical Security Rating	Corrosion Resistance Rating
	A	B	C	D	E		
141/50/122*	50	50	8	22	21	SP3	C3

Note: * = key code group

Value Range Padlocks

150 Series Combination Padlock



The Lockwood 150 Series Padlocks are brass body combination padlocks designed as basic protection for barrier and deterrent applications such as luggage and sports bags.

Features

- 1,000 resettable combinations

Product Details

Materials	Body: Brass. Shackle: Steel. Wheels: Brass.
Function	Three / Four code dial combination.
Finish	Body: Natural material. Shackle: Chrome plate.
Shackles	8mm diameter, 22mm long shackle only.

Note: Available in NDP (Display Pack) only

Standards and Compliance



INDOORS

Corrosion Resistance Rating C1: Not applicable.



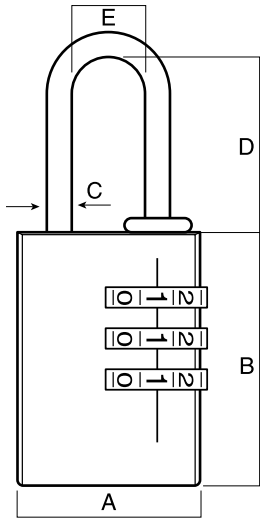
INDOORS

Corrosion Resistance Rating C2: Environments that are normally dry, including the majority of interiors.

Designed and tested to the Australian Padlock Standard AS4145.4 2002 and are rated for corrosion resistance.

Value Range Padlocks

150 Series Combination Padlock



Specifications

Part Number	Combination Dials	Dimensions (mm)					Physical Security Rating	Corrosion Resistance Rating
		A	B	C	D	E		
150/25/118/NDP	3	25	31.5	3.2	22	10	-	C1
150/30/125/NDP	3	31	40.0	4.8	25	14	-	C2
150/40/130/NDP	4	40	48.0	6.0	30	20	-	C2



High Security Padlocks

High Security Padlocks

120N Series Brass Body Padlocks with Silicone Jackets



The 120N Series Padlock range includes 14 different models, with single, twin and quad packs (keyed alike), as well as extended shackle lengths for selected models.

All padlocks in this range come complete with jackets made from a tough silicone material which is weather resistant and UV stable to resist the impact of harsh environments.

The jackets also provide protection for both the padlock and the object to which it is attached.

The 120N padlocks are suitable for general purpose applications providing for a broad range of applications.

Features

- Pin tumbler locking
- Self-latching shackle function
- Multipacks (keyed alike) on some 30mm and 40mm variants

Product Details

Materials	Body: Brass. Shackle: Hardened steel. Cover: Silicon
Function	Spring loaded shackle with latching function where the key can be removed with the shackle in the open position.
Finish	Body: Natural material. Shackle: Chrome plate.
Shackles	Available in a variety of diameters and lengths. See specifications section for available options.

Standards and Compliance

Physical Security grades are employed for padlocks. These grades are defined in part by the effective differs and key combinations. Padlocks Physical Security (SP) grade range from 2-6.

SP2-6

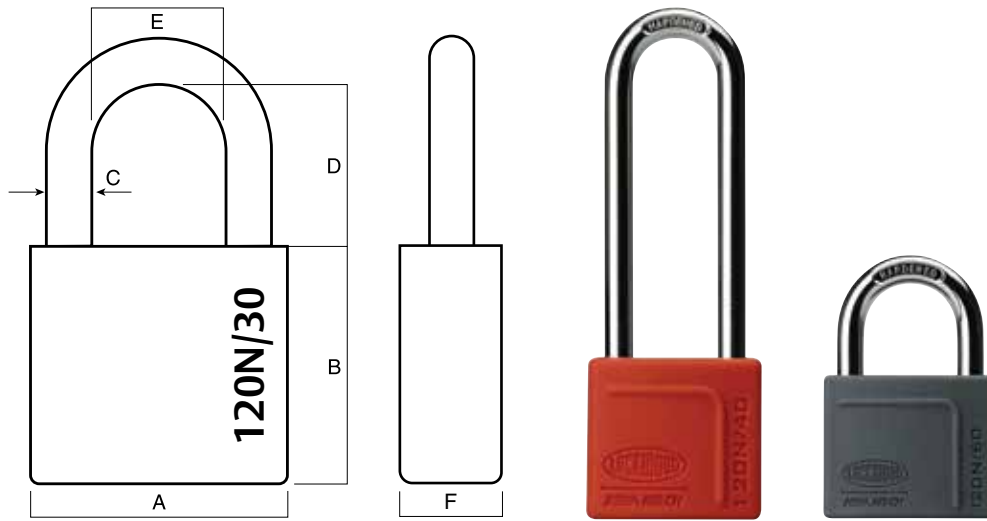


Corrosion Resistance Rating C3: Environments that are sometimes damp in the majority of normal rural and suburban localities, including interiors where condensation may occur.

Designed and tested to the Australian Padlock Standard AS4145.4 2002 and are rated for both security and corrosion resistance.

High Security Padlocks

120N Series Brass Body Padlocks with Silicone Jackets



Specifications

Part Number	Dimensions (mm)						Physical Security Rating	Corrosion Resistance Rating
	A	B	C	D	E	F		
120N/30/118	30	30	5.0	18	17.0	13	SP3	C3
120N/30/150	30	30	5.0	50	17.0	13	SP2	C3
120N/30/180	30	30	5.0	80	17.0	13	SP2	C3
120N/35/123	35	32	6.4	23	18.0	15	SP4	C3
120N/40/125*	40	37	7.1	25	21.0	16	SP5	C3
120N/40/150	40	37	7.1	50	21.0	16	SP4	C3
120N/40/180	40	37	7.1	80	21.0	16	SP4	C3
120N/45/127	45	41	8.0	27	22.5	17	SP6	C3
120N/50/132*	50	46	9.5	32	25.5	19	SP6	C3
120N/60/135	60	50	10.0	35	35.0	20	SP6	C3

Available Pack Variations

Part Number	DP	2DP	4DP
120N/30/118	•	•	•
120N/30/150	•		
120N/30/180	•		
120N/35/123	•		
120N/40/125*	•	•	•
120N/40/150	•		
120N/40/180	•		
120N/45/127	•		
120N/50/132*	•		
120N/60/135	•		

Please note: The extended shackle reduces the shackle resistance to twisting which reduces the overall security rating.

High Security Padlocks

334B Series Brass Body Padlocks



The Lockwood 334 Series Brass Body Padlock range features shackles suitable for commercial and industrial high security and high corrosion applications.

Features

- Double ball locking
- Stainless steel shackle models
- Standard as latching function
- Can be converted to deadlocking (key retained) by simply relocating the cam plate pin in the cylinder assembly
- Rapid change shackle

Product Details

Materials	Body: Heavy duty, brass extrusion. Shackle: Boron steel.
Function	Spring loaded shackle, available with latching function where the key can be removed with the shackle in the open position (L) or deadlocking function where the the key is retained and can only be removed with the shackle in the locked position (D).
Finish	Body: Natural material. Shackle: Chrome plate.
Cylinder	Rekeyable 334 type padlock cylinder. Inline pin cylinders can be keyed to 5 or 6 pins.
Shackles	8.7mm diameter, 19, 25, 38, 48 & 90mm lengths.
Special Keying	Locks can be keyed to a number of controlled and / or specially keyed systems. These range from legally protected keys to protect against unauthorised duplication and can also include specially designed keying systems such as master key systems. This allows for different levels of mechanical access control. Bulk Locksmiths versions are available.

Note: Custom marking is available. Pricing and availability on application.

Standards and Compliance

SP5-7

Physical Security grades are employed for padlocks. These grades are defined in part by the effective differs and key combinations. Padlocks Physical Security (SP) grade range from 5-7.

Corrosion Resistance

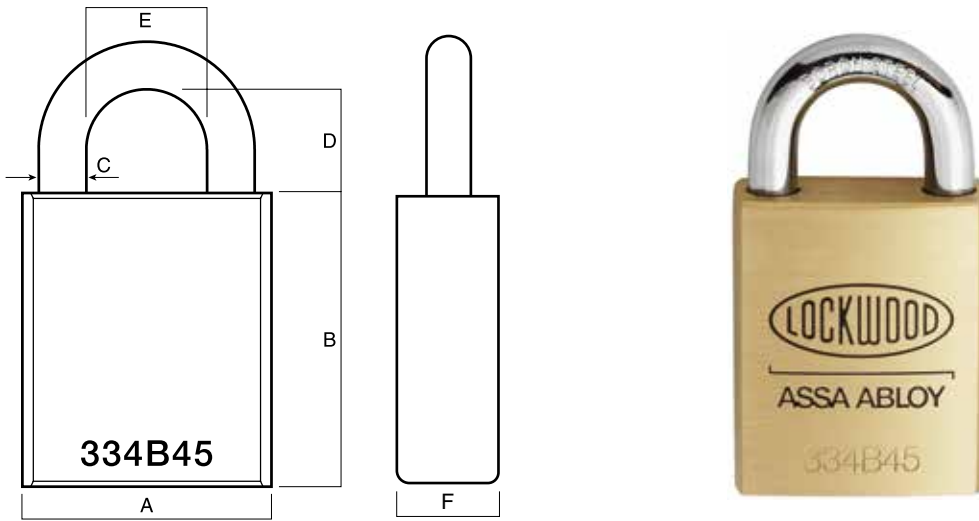
Rating C4: Environments that are often wet and/or subject to slight pollution by sulphur dioxide, acid, alkali or salt, including some particularly damp interiors and the majority of exterior environments.



Designed and tested to the Australian Padlock Standard AS4145.4 2002 and are rated for both security and corrosion resistance.

High Security Padlocks

334B Series Brass Body Padlocks



Specifications

Dimensions (mm)

Part Number	A	B	C	D	E	F	Physical Security Rating	Corrosion Resistance Rating
334B45/119	45	55	8.7	19	22	20	SP7	C4
334B45/125	45	55	8.7	25	22	20	SP6	C4
334B45/138	45	55	8.7	38	22	20	SP6	C4
334B45/148	45	55	8.7	48	22	20	SP6	C4
334B45/190	45	55	8.7	90	22	20	SP5	C4

Available Pack Variations

Part Number	NDP	RKA	BK	5KA	5KD	6KA	6KD	6MK
334B45			•	•	•	•	•	•
334B45/119	•	•	•	•	•	•	•	•
334B45/125			•	•	•	•	•	•
334B45/138	•		•	•	•	•	•	•
334B45/148	•		•	•	•	•	•	•
334B45/190	•			•	•	•	•	•

High Security Padlocks

334 Series Steel Body Padlocks



The Lockwood 334 Steel Series Padlock range features shackles suitable for commercial and industrial high security and high corrosion applications offering added protection against attack.

Features

- Double ball locking
- Standard as latching function
- Can be converted to deadlocking (key retained) by simply relocating the cam plate pin in the cylinder assembly

Product Details

Materials	Body: Steel. Shackle: Molybdenum steel.
Function	Spring loaded shackle, available with latching function where the key can be removed with the shackle in the open position (L) or deadlocking function where the key is retained and can only be removed with the shackle in the locked position (D).
Finish	Body: Chrome plate. Shackle: Chrome plate.
Cylinder	Rekeyable 334 type padlock cylinder. Inline pin cylinders can be keyed to 5 or 6 pins.
Shackles	8.7mm diameter, 19, 25, 38, 48 & 90mm lengths.
Special Keying	Locks can be keyed to a number of controlled and / or specially keyed systems. These range from legally protected keys to protect against unauthorised duplication and can also include specially designed keying systems such as master key systems. This allows for different levels of mechanical access control. Bulk Locksmiths versions are available.

Note: Custom marking is available. Pricing and availability on application.

Standards and Compliance

SP6-8

Physical Security grades are employed for padlocks. These grades are defined in part by the effective differs and key combinations. Padlocks Physical Security (SP) grade range from 6-8.

Corrosion Resistance

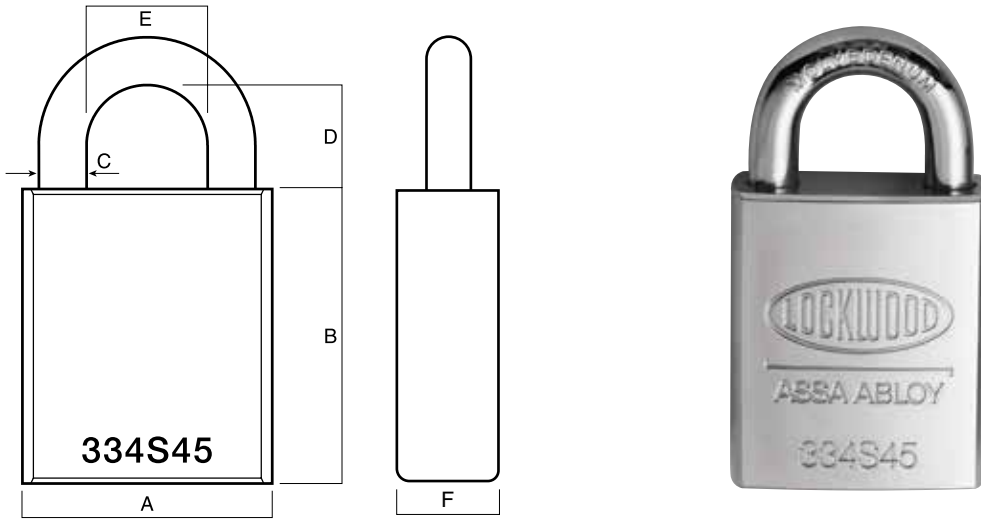
Rating C4: Environments that are often wet and/or subject to slight pollution by sulphur dioxide, acid, alkali or salt, including some particularly damp interiors and the majority of exterior environments.



Designed and tested to the Australian Padlock Standard AS4145.4 2002 and are rated for both security and corrosion resistance.

High Security Padlocks

334 Series Steel Body Padlocks



Specifications

Dimensions (mm)

Part Number	A	B	C	D	E	F	Physical Security Rating	Corrosion Resistance Rating
334S45/519	45	55	8.7	19	22	20	SP8	C4
334B45/138	45	55	8.7	38	22	20	SP7	C4
334B45/148	45	55	8.7	48	22	20	SP7	C4
334B45/190	45	55	8.7	90	22	20	SP6	C4

Available Pack Variations

Part Number	NDP	BK	5KA	5KD	6KA	6KD	6KA	6KD	6MK
334S45		•	•	•	•	•	•	•	•
334S45/519		•	•	•	•	•	•	•	•
334S45/538	•	•	•	•	•	•	•	•	•
334S45/548		•	•	•	•	•	•	•	•
334S45/590			•	•	•	•	•	•	•

High Security Padlocks

334C Series Shrouded Steel Body Padlocks



The Lockwood 334 Steel Series Padlock features shackles suitable for commercial and industrial high security and high corrosion applications offering added protection against attack.

Features

- Double ball locking
- Standard as latching function
- Can be converted to deadlocking (key retained) by simply relocating the cam plate pin in the cylinder assembly

Product Details

Materials

Body: Steel.
Shackle: Molybdenum steel.

Function

Spring loaded shackle, available with latching function where the key can be removed with the shackle in the open position (L) or deadlocking function where the key is retained and can only be removed with the shackle in the locked position (D).

Finish

Body: Chrome plate.
Shackle: Chrome plate.

Cylinder

Rekeyable 334 type padlock cylinder. Inline pin cylinders can be keyed to 5 or 6 pins.

Shackles

8.7mm diameter, 19mm length.

Special Keying

Locks can be keyed to a number of controlled and / or specially keyed systems. These range from legally protected keys to protect against unauthorised duplication and can also include specially designed keying systems such as master key systems. This allows for different levels of mechanical access control.

Bulk Locksmiths versions are available.

Note: Custom marking is available. Pricing and availability on application.

Standards and Compliance

SP6-8

Physical Security grades are employed for padlocks. These grades are defined in part by the effective differs and key combinations. Padlocks Physical Security (SP) grade 8.

Corrosion Resistance

Rating C4: Environments that are often wet and/or subject to slight pollution by sulphur dioxide, acid, alkali or salt, including some particularly damp interiors and the majority of exterior environments.

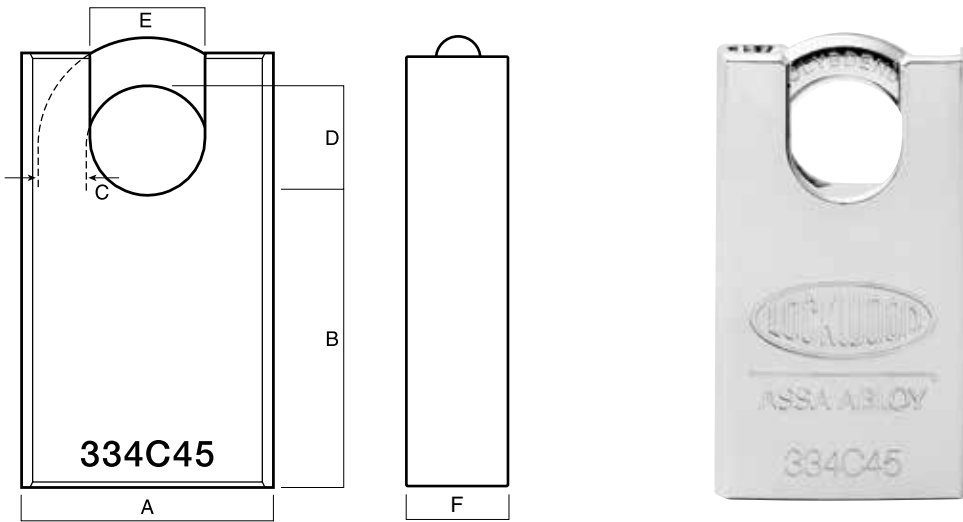


OUTDOOR

Designed and tested to the Australian Padlock Standard AS4145.4 2002 and are rated for both security and corrosion resistance.

High Security Padlocks

334C Series Shrouded Steel Body Padlocks



Specifications

Part Number	Dimensions (mm)						Physical Security Rating	Corrosion Resistance Rating
	A	B	C	D	E	F		
334C45/519	45	79	8.7	19	19	20	SP8	C4

Available Pack Variations

Part Number	NDP	BK	5KA	5KD	6KA	6KD	6MK
334C45/519	•	•	•	•	•	•	•

High Security Padlocks

334M Series Stainless Steel Body Padlocks



The Lockwood 334 Series Stainless Steel Padlock range features stainless steel shackles suitable for commercial and industrial high security and high corrosion marine applications.

Features

- Double ball locking
- Standard as latching function
- Can be converted to deadlocking (key retained) by simply relocating the cam plate pin in the cylinder assembly

Product Details

Materials	Body: Stainless steel. Shackle: Stainless steel.
Function	Spring loaded shackle, available with latching function where the key can be removed with the shackle in the open position (L) or deadlocking function where the key is retained and can only be removed with the shackle in the locked position (D).
Finish	Body: Natural material. Shackle: Natural material.
Cylinder	Rekeyable 334 type padlock cylinder. Inline pin cylinders can be keyed to 5 or 6 pins.
Shackles	8.7mm diameter, 19, 25, 38, 48 & 90mm lengths
Special Keying	Locks can be keyed to a number of controlled and / or specially keyed systems. These range from legally protected keys to protect against unauthorised duplication and can also include specially designed keying systems such as master key systems. This allows for different levels of mechanical access control. Bulk Locksmiths versions are available.

Note: Custom marking is available. Pricing and availability on application.

Standards and Compliance

SP6-8

Physical Security grades are employed for padlocks. These grades are defined in part by the effective differs and key combinations. Padlocks Physical Security (SP) grade range from 5-7.



EXTREME

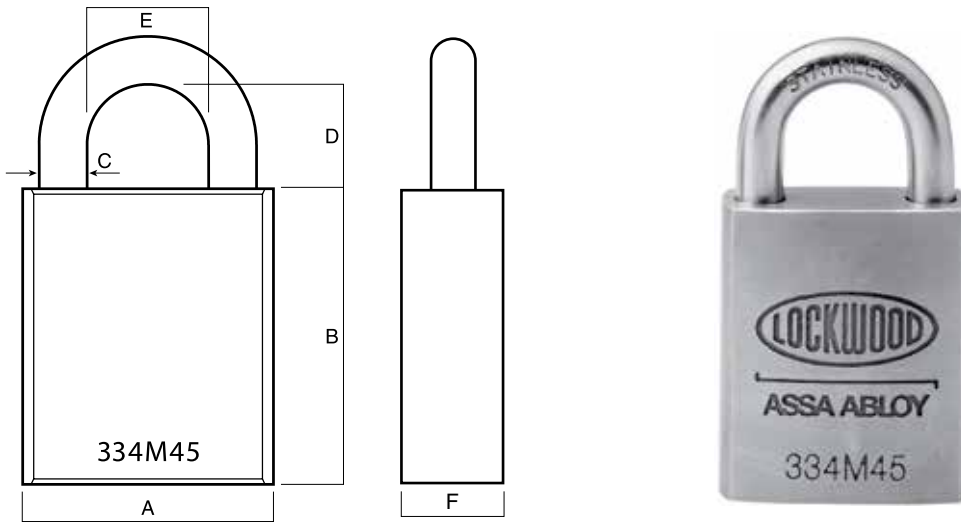
Corrosion Resistance

Rating C5: Environments in very corrosive localities such as those subject to effect (or combination) of industrial and coastal conditions.

Designed and tested to the Australian Padlock Standard AS4145.4 2002 and are rated for both security and corrosion resistance.

High Security Padlocks

334M Series Stainless Steel Body Padlocks



Specifications

Part Number	Dimensions (mm)						Physical Security Rating	Corrosion Resistance Rating
	A	B	C	D	E	F		
334M45/619	45	55	8.7	19	22	20	SP7	C5
334M45/625	45	55	8.7	38	22	20	SP6	C5
334M45/638	45	55	8.7	38	22	20	SP6	C5
334M45/648	45	55	8.7	48	22	20	SP6	C5
334M45/690	45	55	8.7	90	22	20	SP5	C5

Available Pack Variations

Part Number	NDP	BK	5KA	5KD	6KA	6KD	6MK
334M45		•	•	•	•	•	•
334M45/619	•	•	•	•	•	•	•
334M45/625		•	•	•	•	•	•
334M45/638		•	•	•	•	•	•
334M45/648		•	•	•	•	•	•
334M45/690		•	•	•	•	•	•

DANGER!!!!!!
ALIVE

ACCESS TO AUTHORISED
PERSONNEL ONLY



Maximum Security Padlocks

Maximum Security Padlocks

270 Series Steel Body Padlocks



The Lockwood 270 Series Steel Padlock features a high strength steel shackle designed for maximum security and high corrosion resistance including commercial and industrial applications.

Features

- Deadlocking double ball locking
- Standard as deadlocking (key retained) function
- Keyway dust cover

Product Details

Materials	Body: Hardened steel. Shackle: Molybdenum steel.
Function	Deadlocking function where the key is retained and can only be removed with the shackle in the locked position (D).
Finish	Body: Chrome plate. Shackle: Chrome plate.
Cylinder	Rekeyable cylinder compatible with 570 type barrel. Inline pin cylinders can be keyed to 5 or 6 pins.
Shackle	14mm diameter, 25mm length.
Special Keying	Locks can be keyed to a number of controlled and / or specially keyed systems. These range from legally protected keys to protect against unauthorised duplication and can also include specially designed keying systems such as master key systems. This allows for different levels of mechanical access control. Bulk Locksmiths versions are available.

Note: Custom marking is available. Pricing and availability on application.

Standards and Compliance

SP9

Physical Security grades are employed for padlocks. These grades are defined in part by the effective differs and key combinations. Padlocks Physical Security (SP) grade 9

Corrosion Resistance

Rating C4: Environments that are often wet and/or subject to slight pollution by sulphur dioxide, acid, alkali or salt, including some particularly damp interiors and the majority of exterior environments.

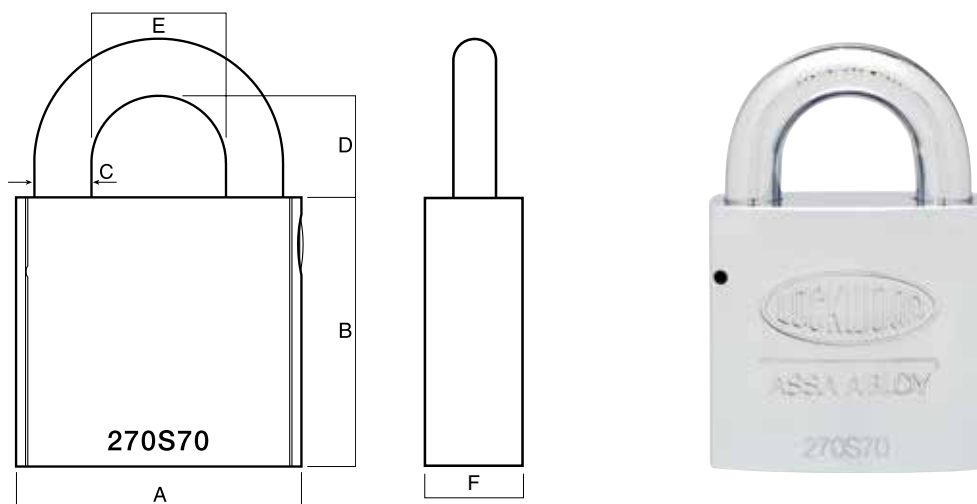


OUTDOOR

Designed and tested to the Australian Padlock Standard AS4145.4 2002 and are rated for both security and corrosion resistance.

Maximum Security Padlocks

270 Series Steel Body Padlocks



Specifications

Part Number	Dimensions (mm)						Physical Security Rating	Corrosion Resistance Rating
	A	B	C	D	E	F		
270S70/125	70	66	14	25	33	34	SP9	C4

Available Pack Variations

Part Number	BK	5KA	5KD	6KA	6KD	6MK	D5KA	D5KD	D6KA	D6KD	D6MK
270S70/125	•	•	•	•	•	•	•	•	•	•	•

Maximum Security Padlocks

290 Series Steel Body Monoblock Padlocks



The Lockwood 290 Series Steel Padlock features a high strength steel shackle designed for maximum security and high corrosion resistance including commercial and industrial applications.

Features

- Standard as deadlocking function

Product Details

Materials	Body: Hardened steel. Shackle: Molybdenum steel.
Function	Deadlocking function where the key is retained and can only be removed with the shackle in the locked position (D).
Finish	Body: Chrome plate. Shackle: Chrome plate.
Cylinder	Rekeyable cylinder compatible with 570 type barrel. Inline pin cylinders can be keyed to 5 or 6 pins.
Shackle	14.5mm diameter, 21.8mm vertical clearance.
Special Keying	Locks can be keyed to a number of controlled and / or specially keyed systems. These range from legally protected keys to protect against unauthorised duplication and can also include specially designed keying systems such as master key systems. This allows for different levels of mechanical access control. Bulk Locksmiths versions are available.

Note: Custom marking is available. Pricing and availability on application.

Standards and Compliance

SP10

Physical Security grades are employed for padlocks. These grades are defined in part by the effective differs and key combinations. Padlocks Physical Security (SP) grade 10.

Corrosion Resistance

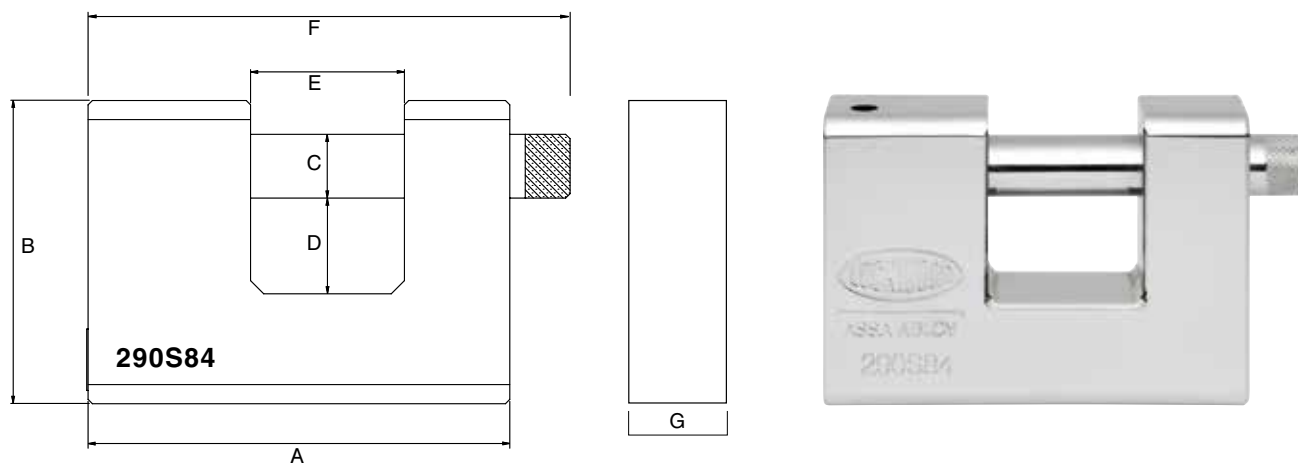
Rating C4: Environments that are often wet and/or subject to slight pollution by sulphur dioxide, acid, alkali or salt, including some particularly damp interiors and the majority of exterior environments.



Designed and tested to the Australian Padlock Standard AS4145.4 2002 and are rated for both security and corrosion resistance.

Maximum Security Padlocks

290 Series Steel Body Monoblock Padlocks



Specifications

Dimensions (mm)

Part Number	A	B	C	D	E	F	G	Physical Security Rating	Corrosion Resistance Rating
290S84/120	96	69	14.5	21.8	35	110	30	SP10	C4

Available Pack Variations

Part Number	BK	5KA	5KD	6KA	6KD	6MK	D5KA	D5KD	D6KA	D6KD	D6MK
290S84/120	•	•	•	•	•	•	•	•	•	•	•

Maximum Security Padlocks

301 Series Steel Body Padlocks



The Lockwood 301 Series Padlock features a high strength steel shackle designed for maximum security and high corrosion resistance including commercial and industrial applications.

Features

- Deadlocking double ball locking
- Standard as deadlocking (key retained) function

Product Details

Materials	Body: Hardened steel. Shackle: Molybdenum steel.
Function	Deadlocking function where the key is retained and can only be removed with the shackle in the locked position (D).
Finish	Body: Satin chrome pearl. Shackle: Chrome plate.
Cylinder	Rekeyable cylinder compatible with 570 type barrel. Inline pin cylinders can be keyed to 5 or 6 pins.
Shackle	11 mm diameter, 48mm.

Standards and Compliance

SP8

Physical Security grades are employed for padlocks. These grades are defined in part by the effective differs and key combinations. Padlocks Physical Security (SP) grade 8.

Corrosion Resistance

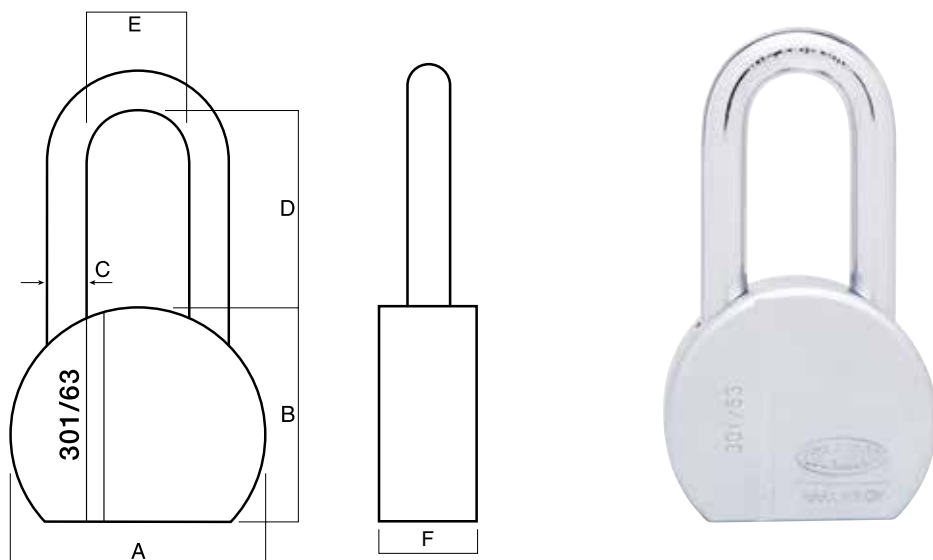
Rating C4: Environments that are often wet and/or subject to slight pollution by sulphur dioxide, acid, alkali or salt, including some particularly damp interiors and the majority of exterior environments.



Designed and tested to the Australian Padlock Standard AS4145.4 2002 and are rated for both security and corrosion resistance.

Maximum Security Padlocks

301 Series Steel Body Padlocks



Specifications

Part Number	Dimensions (mm)						Physical Security Rating	Corrosion Resistance Rating
	A	B	C	D	E	F		
301/63/154	63	55	11	48	24	28	SP8	C4

Available Pack Variations

Part Number	NDP
301/63/154	•

Maximum Security Padlocks

356S Series Steel Body Padlocks



The Lockwood 356 Series Padlocks are a range of padlocks with steel and stainless steel bodies and shackles designed for maximum security and high corrosion resistance including commercial and industrial applications.

Features

- Double ball locking
- Extended shackle models
- Standard as deadlocking (key retained) function

Product Details

Materials	Body: Steel. Shackle: Molybdenum steel.
Function	Spring loaded shackle, available with latching function where the key can be removed with the shackle in the open position (L) or deadlocking function where the the key is retained and can only be removed with the shackle in the locked position (D).
Finish	Body: Chrome plate. Shackle: Chrome plate.
Cylinder	Rekeyable 334 type padlock cylinder. Inline pin cylinders can be keyed to 5 or 6 pins.
Shackle	11mm diameter, 25 & 50mm lengths.
Special Keying	Locks can be keyed to a number of controlled and / or specially keyed systems. These range from legally protected keys to protect against unauthorised duplication and can also include specially designed keying systems such as master key systems. This allows for different levels of mechanical access control. Bulk Locksmiths versions are available.

Note: Custom marking is available. Pricing and availability on application.

Standards and Compliance

SP8

Physical Security grades are employed for padlocks. These grades are defined in part by the effective differs and key combinations. Padlocks Physical Security (SP) grade 8.



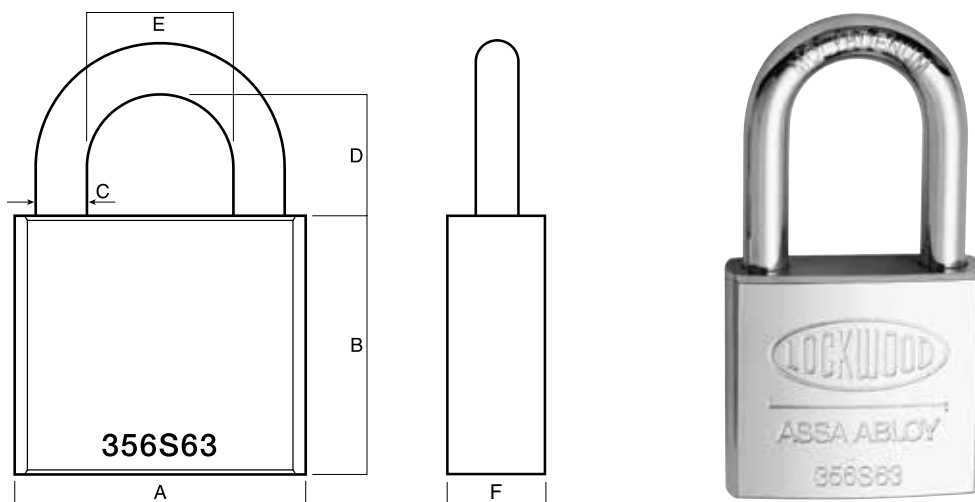
Corrosion Resistance

Rating C3: Environments that are sometimes damp in the majority of normal rural and suburban localities, including interiors where condensation may occur.

Designed and tested to the Australian Padlock Standard AS4145.4 2002 and are rated for both security and corrosion resistance.

Maximum Security Padlocks

356 Series Steel Body Padlocks



Specifications

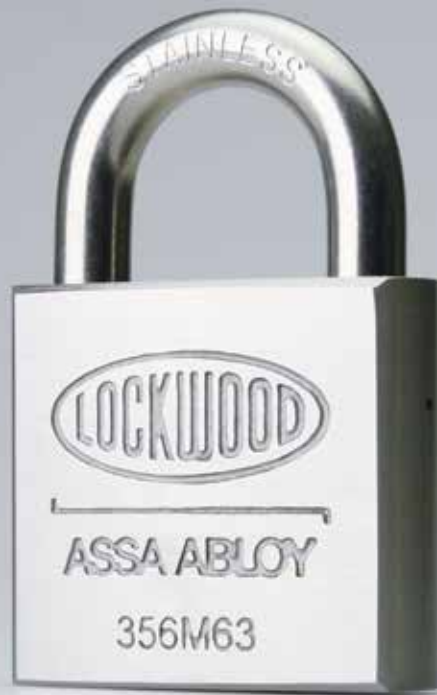
Part Number	Dimensions (mm)						Physical Security Rating	Corrosion Resistance Rating
	A	B	C	D	E	F		
356S63/525	63	56	11	25	32	25	SP8	C3
356S63/550	63	56	11	50	32	25	SP8	C3

Available Pack Variations

Part Number	BK	5KA	5KD	6KA	6KD	6MK	NDP
356S63/525	•	•	•	•	•	•	•
356S63/550	•	•	•	•	•	•	

Maximum Security Padlocks

356M Series Stainless Steel Body Padlocks



The Lockwood 356 Series Padlocks are a range of padlocks with steel and stainless steel bodies and shackles designed for maximum security and high corrosion resistance including commercial and industrial applications.

Features

- Double ball locking
- Extended shackle models
- Standard as deadlocking (key retained) function

Product Details

Materials	Body: Stainless steel. Shackle: Stainless steel.
Function	Spring loaded shackle, available with latching function where the key can be removed with the shackle in the open position (L) or deadlocking function where the key is retained and can only be removed with the shackle in the locked position (D).
Finish	Body: Natural material. Shackle: Natural material.
Cylinder	Rekeyable 334 type padlock cylinder. Inline pin cylinders can be keyed to 5 or 6 pins.
Shackle	11mm diameter, 25 & 50mm lengths.
Special Keying	Locks can be keyed to a number of controlled and / or specially keyed systems. These range from legally protected keys to protect against unauthorised duplication and can also include specially designed keying systems such as master key systems. This allows for different levels of mechanical access control. Bulk Locksmiths versions are available.

Note: Custom marking is available. Pricing and availability on application.

Standards and Compliance

SP8

Physical Security grades are employed for padlocks. These grades are defined in part by the effective differs and key combinations. Padlocks Physical Security (SP) grade 8.



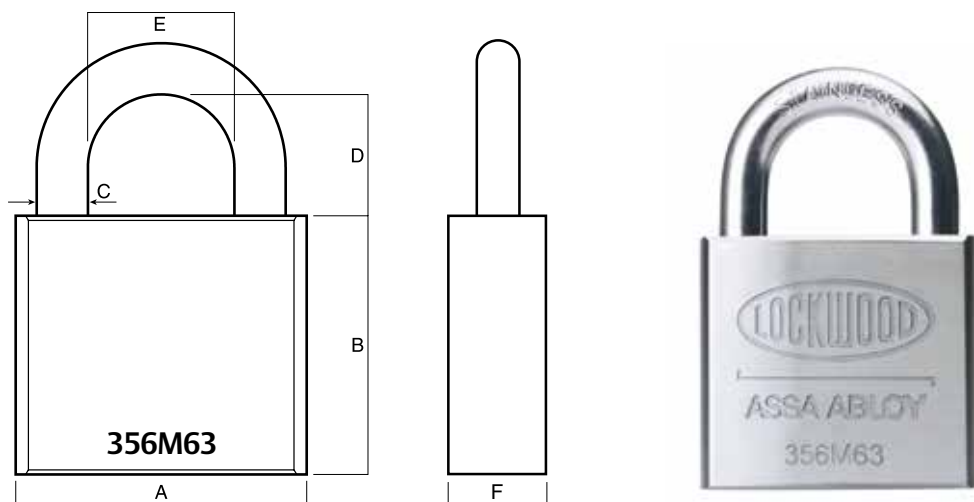
Corrosion Resistance

Rating C5: Environments in very corrosive localities such as those subject to effect (or combination) of industrial and coastal conditions.

Designed and tested to the Australian Padlock Standard AS4145.4 2002 and are rated for both security and corrosion resistance.

Maximum Security Padlocks

356M Series Stainless Steel Body Padlocks



Specifications

Part Number	Dimensions (mm)						Physical Security Rating	Corrosion Resistance Rating
	A	B	C	D	E	F		
356M63/525	63	56	11	25	32	25	SP8	C5
356M63/550	63	56	11	50	32	25	SP8	C5

Available Pack Variations

Part Number	BK	5KA	5KD	6KA	6KD	6MK
356M63/525	•	•	•	•	•	•
356M63/550	•	•	•	•	•	•

Padlocks

Ordering Procedure

Padlock Configuration Matrix (for Reference Only)

Sample part number 356S63/525/NDP is made up of several sections. Choose your product by selecting an option from each section.:

Padlocks Ordering Procedure

Padlock Series	Body Config.	Body	Shackle Material	Shackle Opening	Pack Types & Keying
334	B	45	1	19	NDP

Padlock Series		Body	Shackle Material	Shackle Opening	Pack Types & Keying
Value	110	Nominal Size in mm		Nominal Vertical Clearance in mm	
High Security	120N				
High Security with Shroud	121				
High Security Cylindrical	130				
Value Dial Combination	140				
Value Dial Combination with Key Override	141				
Value Wheel Combination	150				
High Security	334				
Maximum Security	356				
Maximum Security	270				
Maximum Security	290				
Maximum Security	301				

Body Configuration	
Brass	B
Steel	S
Closed (Shrouded) Steel	C
Stainless Steel (Marine Application)	M

Shackle Material	
Boron	1
Molybdenum	5
Stainless Steel	6
Polymer	8

Pack Types & Keying	
Single Display Pack	NDP
Two Display Pack	2NDP
Four Display Pack	4NDP
Keyed Alike	KA
5 Pin Random Keyed Alike Carton	RKA
5 Pin Keyed Alike	5KA
5 Pin Keyed to Differ	5KD
6 Pin Keyed Alike	6KA
6 Pin Keyed to Differ	6KD
6 Pin Master Keyed	6MK
Bulk	BK
Locksmith	LS
Random Codes Keyed Alike (141 Series)	RCKA
Alike Codes (140 Series)	AC
Random Codes (140 Series)	RC

Please note: In order to simplify the process of ordering keyed alike and master keyed padlocks, the keying component is incorporated into the product number as shown in the diagram. This means there is no longer a requirement for separate keying charges on padlocks.

The master key MK code covers the following keying options: master keyed, grand master keyed and maison keyed.

When ordering MK padlocks please specify the keying details.

Part number convention is for reference only.



Padlock Accessories

Padbolt



Lockwood Padbolts are designed for both barrier and deterrent applications.

Features and Specifications

- Hardened steel shackle cover for added strength
- High cut resistant hardened steel construction
- Tamper resistant fasteners included
- 12.5mm bolt diameter

Security

Security Rating 7

Corrosion Rating 3

The security rating was achieved using the fasteners supplied in the pack. The use of fasteners other than those supplied may affect the security of this product.

Pack Variations

Available in display pack only.

Choosing the Right Padlock

For the best results it is recommended that a Lockwood padlock with the same security rating as the accessory is selected.

When the padlock and accessory are combined the lower of the two respective ratings will apply.

Product Details

Functions	Durable hardened steel
Materials	Corrosion resistant black coating

Standards and Compliance

SP7

Physical Security grades are employed for padlocks. These grades are defined in part by the effective differs and key combinations. Padlocks Physical Security (SP) grade 7



Corrosion Resistance Rating C3: Environments that are sometimes damp in the majority of normal rural and suburban localities, including interiors where condensation may occur.

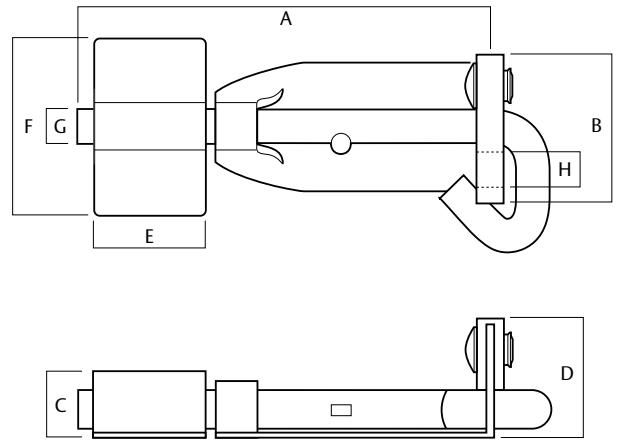
Designed and tested to the Australian Padlock Standard AS4145.4 2002 and are rated for both security and corrosion resistance.

Padbolt

Part Number	Description
PA/33/200/DP	200mm long heavy duty

Product Details – Dimensions

	A	B	C	D	E	F	G	H	Security Rating	Corrosion Resistance Rating
PA/33/200/DP	200	52	20	38	40	63	12.5	11	7	3



Locking Plates



Lockwood Locking Plates are designed for surface mounting and side mounting where general purpose security is required.

Features and Specifications

- High cut resistant hardened steel construction
- Bolt through fixing for added strength and security on surface mounted plates
- Tamper resistant concealed fixing on side mounted plates
- All fasteners included

Security

Security Rating 5 and 6

Corrosion Rating 3

The security rating was achieved using the fasteners supplied in the pack. The use of fasteners other than those supplied may affect the security of this product.

Pack Variations

Available in display pack only.

Choosing the Right Padlock

For the best results it is recommended that a Lockwood padlock with the same security rating as the accessory is selected.

When the padlock and accessory are combined the lower of the two respective ratings will apply.

Product Details

Functions	Durable hardened steel
Materials	Corrosion resistant black coating

Standards and Compliance

SP5/6

Physical Security grades are employed for padlocks. These grades are defined in part by the effective differs and key combinations. Padlocks Physical Security (SP) Grade 5 for PA/14/70/DP & (SP) Grade 6 for PA/13/70/DP



Corrosion Resistance Rating C3: Environments that are sometimes damp in the majority of normal rural and suburban localities, including interiors where condensation may occur.

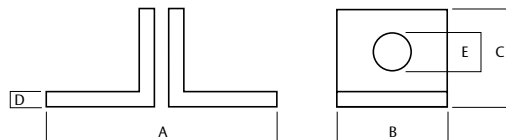
Designed and tested to the Australian Padlock Standard AS4145.4 2002 and are rated for both security and corrosion resistance.

Locking Plates

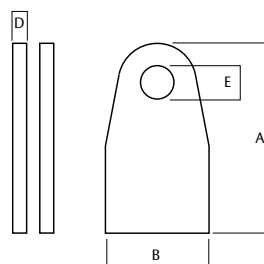
Part Number	Description
PA/13/70/DP	For non-handed, surface mounted applications
PA/14/70/DP	For non-handed, side mounted applications

Product Details – Dimensions

	A	B	C	D	E	Security Rating	Corrosion Resistance Rating
PA/13/70/DP	75	40	34	5	13	6	3
PA/14/70/DP	75	35	N/A	5	12	5	3



PA/13/70/DP



PA/14/70/DP

Locking Plates with Shackle Guard



Lockwood Locking Plates with Shackle Guard are designed for surface mounting where high security is required.

Features and Specifications

- Hardened steel shackle guard
- High cut resistant hardened steel construction
- Bolt through fixing for added strength and security
- High tensile 6mm coach bolts, nuts and washers included

Security

Security Rating 7

Corrosion Rating 3

The security rating was achieved using the fasteners supplied in the pack. The use of fasteners other than those supplied may affect the security of this product.

Pack Variations

Available in display pack only.

Choosing the Right Padlock

For the best results it is recommended that a Lockwood padlock with the same security rating as the accessory is selected.

When the padlock and accessory are combined the lower of the two respective ratings will apply.

Product Details

Functions	Durable hardened steel
Materials	Corrosion resistant black coating

Standards and Compliance

SP7

Physical Security grades are employed for padlocks. These grades are defined in part by the effective differs and key combinations. Padlocks Physical Security (SP) grade 7



Corrosion Resistance Rating C3: Environments that are sometimes damp in the majority of normal rural and suburban localities, including interiors where condensation may occur.

Designed and tested to the Australian Padlock Standard AS4145.4 2002 and are rated for both security and corrosion resistance.

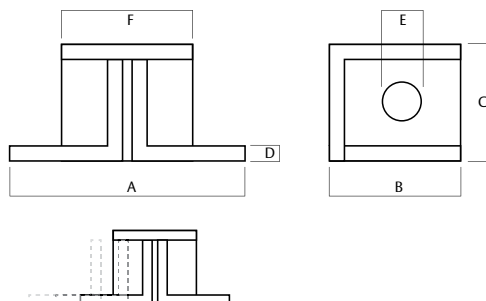
Locking Plates with Shackle Guard

Part Number	Description
PA/11/70/DP	For applications with hinges on the right and opening toward installer (LH).
PA/12/70/DP	For applications with hinges on the left and opening toward installer (RH).

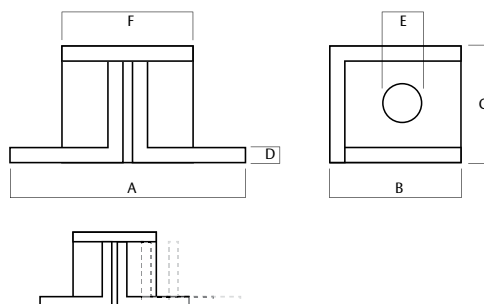
Product Details – Dimensions

	A	B	C	D	E	F	Security Rating	Corrosion Resistance Rating
PA/11/70/DP	70	40	39	5	13	50	7	3
PA/12/70/DP	70	40	39	5	13	50	7	3

PA/11/70/DP



PA/12/70/DP



Hasp and Staples



Lockwood Hasp and Staples are designed for both barrier and deterrent applications.

Features and Specifications

- High cut resistant hardened steel construction with strengthening ribs and rolled edges for added protection
- Tamper resistant concealed fixing
- All fasteners included

Security

Security Rating 3 and 5

Corrosion Rating 3

The security rating was achieved using the fasteners supplied in the pack. The use of fasteners other than those supplied may affect the security of this product.

Pack Variations

Available in display pack only.

Choosing the Right Padlock

For the best results it is recommended that a Lockwood padlock with the same security rating as the accessory is selected.

When the padlock and accessory are combined the lower of the two respective ratings will apply.

Product Details

Functions	Durable hardened steel
Materials	Corrosion resistant black coating

Standards and Compliance

SP3/5

Physical Security grades are employed for padlocks. These grades are defined in part by the effective differs and key combinations. Padlocks Physical Security (SP) Grade 3 for PA/21/90/DP & (SP) Grade 5 for PA/21/120/DP



Corrosion Resistance Rating C3: Environments that are sometimes damp in the majority of normal rural and suburban localities, including interiors where condensation may occur.

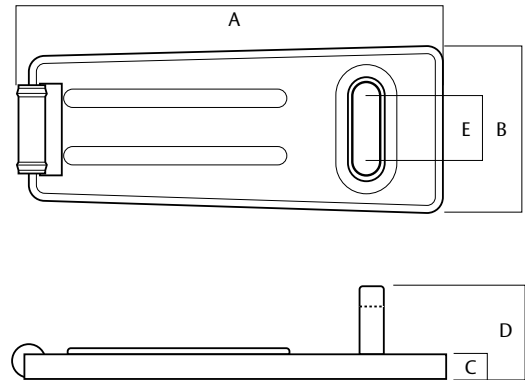
Designed and tested to the Australian Padlock Standard AS4145.4 2002 and are rated for both security and corrosion resistance

Hasp and Staples

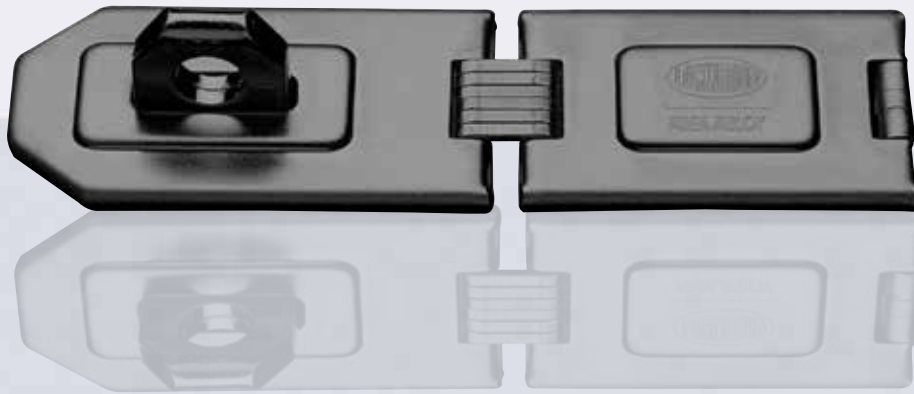
Part Number	Description
PA/21/90/DP	90mm long Hasp and Staple
PA/21/120/DP	120mm long Hasp and Staple

Product Details – Dimensions

	A	B	C	D	E	Security Rating	Corrosion Resistance Rating
PA/21/90/DP	90	37	6.5	23	10	3	3
PA/21/120/DP	120	45	7.5	28.5	12	5	3



Hasp and Staples - Hinged



Lockwood Hinged Hasp and Staples are designed for general purpose security applications.

Features and Specifications

- Double hinged design for added flexibility
- High cut resistant hardened steel construction with strengthening ribs and rolled edges for added protection
- Tamper resistant concealed fixing
- All fasteners included

Security

Security Rating 6

Corrosion Rating 3

The security rating was achieved using the fasteners supplied in the pack. The use of fasteners other than those supplied may affect the security of this product.

Pack Variations

Available in display pack only.

Choosing the Right Padlock

For the best results it is recommended that a Lockwood padlock with the same security rating as the accessory is selected.

When the padlock and accessory are combined the lower of the two respective ratings will apply.

Product Details

Functions	Durable hardened steel
Materials	Corrosion resistant black coating

Standards and Compliance

SP6

Physical Security grades are employed for padlocks. These grades are defined in part by the effective differs and key combinations. Padlocks Physical Security (SP) Grade 6



Corrosion Resistance Rating C3: Environments that are sometimes damp in the majority of normal rural and suburban localities, including interiors where condensation may occur.

Designed and tested to the Australian Padlock Standard AS4145.4 2002 and are rated for both security and corrosion resistance

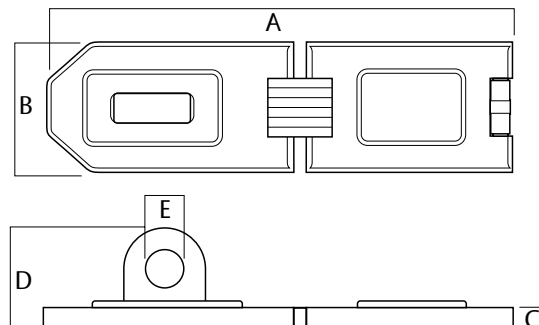
Hasp and Staples - Hinged

Part Number	Description
-------------	-------------

A/23/160/DP	160mm long Hinged Hasp and Staple
-------------	-----------------------------------

Product Details – Dimensions							
	A	B	C	D	E	Security Rating	Corrosion Resistance Rating

PA/23/160/DP	160	46	9	31	12.5	6	3
--------------	-----	----	---	----	------	---	---



Hasp and Staples – Heavy Duty



Lockwood Heavy Duty Hasp and Staples are designed for high security applications.

Features and Specifications

- High cut resistant hardened steel construction
- Bolt through tamper resistant concealed fixing for added strength and security
- All fasteners included

Security

Security Rating 7

Corrosion Rating 3

The security rating was achieved using the fasteners supplied in the pack. The use of fasteners other than those supplied may affect the security of this product.

Pack Variations

Available in display pack only.

Choosing the Right Padlock

For the best results it is recommended that a Lockwood padlock with the same security rating as the accessory is selected.

When the padlock and accessory are combined the lower of the two respective ratings will apply.

Product Details

Functions	Durable hardened steel
Materials	Corrosion resistant black coating

Standards and Compliance

SP7

Physical Security grades are employed for padlocks. These grades are defined in part by the effective differs and key combinations. Padlocks Physical Security (SP) grade 7



Corrosion Resistance Rating C3: Environments that are sometimes damp in the majority of normal rural and suburban localities, including interiors where condensation may occur.

Designed and tested to the Australian Padlock Standard AS4145.4 2002 and are rated for both security and corrosion resistance.

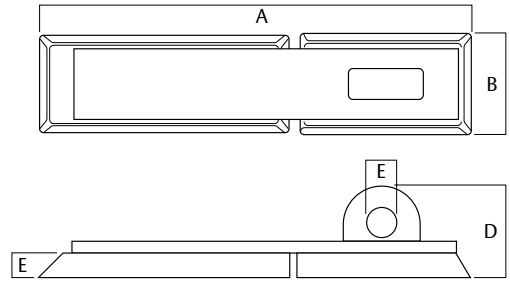
Hasp and Staples – Heavy Duty

Part Number Description

PA/21/190/DP 190mm long Heavy Duty Hasp and Staple

Product Details – Dimensions

	A	B	C	D	E	Security Rating	Corrosion Resistance Rating
PA/21/190/DP	190	44	9.5	40	14	7	3



Hasp and Staples – Pivoting



Lockwood Pivoting Hasp and Staples are designed for high security applications.

Features and Specifications

- Pivoting hasp design for added flexibility
- High cut resistant hardened steel construction
- Bolt through tamper resistant concealed for added strength and security
- All fasteners included

Security

Security Rating 7

Corrosion Rating 3

The security rating was achieved using the fasteners supplied in the pack. The use of fasteners other than those supplied may affect the security of this product.

Pack Variations

Available in display pack only.

Choosing the Right Padlock

For the best results it is recommended that a Lockwood padlock with the same security rating as the accessory is selected.

When the padlock and accessory are combined the lower of the two respective ratings will apply.

Product Details

Functions	Durable hardened steel
Materials	Corrosion resistant black coating

Standards and Compliance

SP7

Physical Security grades are employed for padlocks. These grades are defined in part by the effective differs and key combinations. Padlocks Physical Security (SP) grade 7



Corrosion Resistance Rating C3: Environments that are sometimes damp in the majority of normal rural and suburban localities, including interiors where condensation may occur.

Designed and tested to the Australian Padlock Standard AS4145.4 2002 and are rated for both security and corrosion resistance.

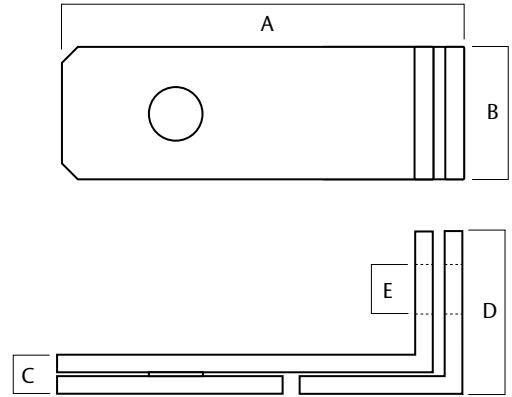
Hasp and Staples – Pivoting

Part Number Description

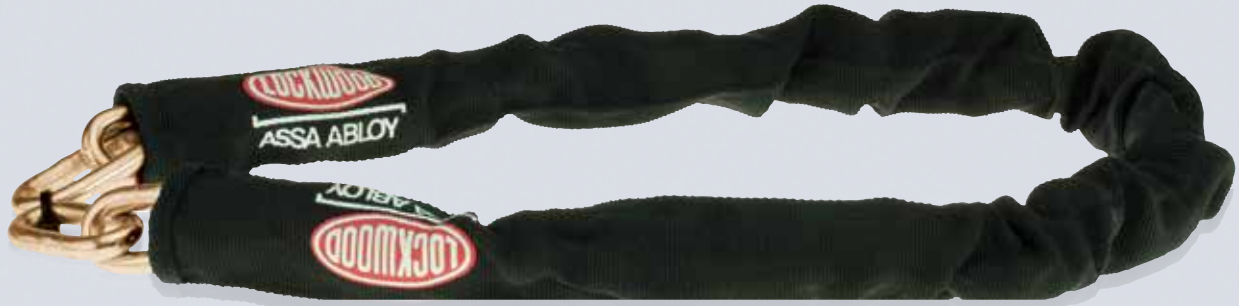
PA/25/105/DP 105mm long Pivoting Hasp and Staple

Product Details – Dimensions

	A	B	C	D	E	Security Rating	Corrosion Resistance Rating
PA/25/105/DP	105	35	11	42	12	7	3



Padlock Chain



Lockwood Chains are designed for both general purpose and maximum security applications.

Features and Specifications

- Hardened manganese alloy steel chain for added strength
- High cut resistant hardened steel construction
- Accepts up to 12.5mm padlock shackle diameter
- Tough fabric sleeve, shields the chain from the elements while reducing the chance of scratching
- 900mm in length

Security

Security Rating 7

Corrosion Rating 3

Pack Variations

Available in display pack only.

Choosing the Right Padlock

For the best results it is recommended that a Lockwood padlock with the same security rating as the accessory is selected.

When the padlock and accessory are combined the lower of the two respective ratings will apply.

Product Details

Functions	Hardened manganese alloy steel
Materials	High cut resistant hardened steel

Standards and Compliance

SP7

Physical Security grades are employed for padlocks. These grades are defined in part by the effective differs and key combinations. Padlocks Physical Security (SP) grade 7



Corrosion Resistance Rating C3: Environments that are sometimes damp in the majority of normal rural and suburban localities, including interiors where condensation may occur.

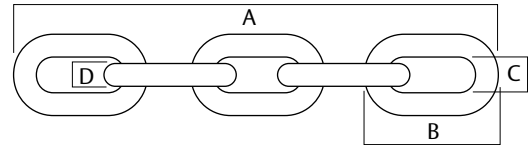
Designed and tested to the Australian Padlock Standard AS4145.4 2002 and are rated for both security and corrosion resistance.

Padlock Chain

Part Number	Description
LCHL1/8/90/F	Hardened steel 900mm chain with fabric cover

Product Details – Dimensions

	A	B	C	D	Security Rating	Corrosion Resistance Rating
LCHL1/8/90/F	900	52	13	8	7	3





Safety Lockout Padlocks

214 and 215 Series Aluminium Body Padlocks



The Lockwood 214 and 215 Aluminium Series Padlocks are a range of durable, rugged and lightweight 40mm aluminium body padlocks with full commercial grade special keying. The range has been specifically designed to meet the requirements of commercial and industrial applications. Along with a range of up to eight clearly identified coloured jackets, it is ready to be custom marked to make lock identification easy.

Features and Specifications

- Self latching double ball locking
- Can be converted from self latching to deadlocking (key retained) by simply relocating the cam plate pin in the cylinder assembly
- Covers available in eight easily identified colours.

Product Details

Materials	Body: Heavy duty, aluminium body extrusion. Shackle: Stainless steel.
Function	Spring loaded shackle, available with latching function where the key can be removed with the shackle in the open position (L) or deadlocking function where the the key is retained and can only be removed with the shackle in the locked position (D).
Finish	Body: Red anodized aluminum. Shackle: Natural material.
Cylinders	Rekeyable 334 type padlock cylinder. Inline pin cylinders can be keyed to 5 or 6 pins.
Shackles	214 Model: 5.0mm diameter, 19 & 50mm lengths. 215 Model: 6.4mm diameter, 19 & 50mm lengths.
Special Keying	Locks can be keyed to a number of controlled and / or specially keyed systems. These range from legally protected keys to protect against unauthorised duplication and can also include specially designed keying systems such as master key systems. This allows for different levels of mechanical access control.

Bulk Locksmiths versions are available.

Note: Custom marking is available. Pricing and availability on application.

Standards and Compliance

SP3-6

Physical Security grades are employed for padlocks. These grades are defined in part by the effective differs and key combinations. Padlocks Physical Security (SP) grade range from 3-6.

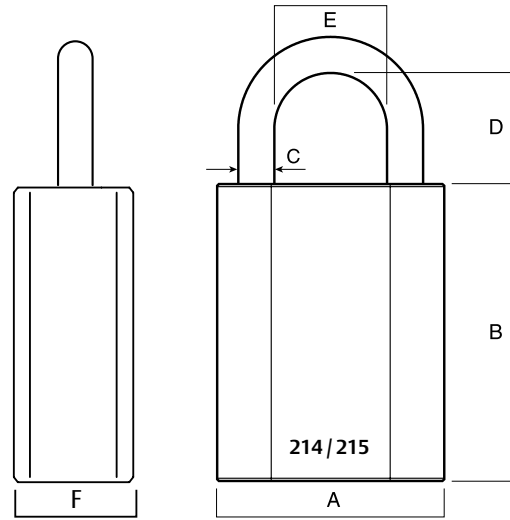


OUTDOOR

Environments that are often wet and/or subject to slight pollution by sulphur dioxide, acid, alkali or salt, including some particularly damp interiors and the majority of exterior environments.

All products are designed and tested to the Australian Padlock Standard AS4145.4 2002 and are rated for both security and corrosion resistance.

214 and 215 Series Aluminium Body Padlocks



Product Details – Dimensions and Standards and Compliance Ratings

	Physical Security Rating	Corrosion Resistance Rating	A	B	C	D	E	F
214A40/619	SP4	C4	40	52	5.0	19	21	19
214A40/650	SP3	C4	40	52	5.0	50	21	19
215A40/619	SP6	C4	40	52	6.4	19	20	19
215A40/650	SP5	C4	40	52	6.4	50	20	19

Available Keying Configurations

	RKA	BK	5KA	5KD	6KA	6KD	6MK	DRKA	D5KA	D5KD	D6KA	D6KD	D6MK
214A40/619	•	•	•	•	•	•	•	•	•	•	•	•	•
214A40/650	•	•	•	•	•	•	•	•	•	•	•	•	•
215A40/619		•	•	•	•	•	•	•	•	•	•	•	•
215A40/650		•	•	•	•	•	•	•	•	•	•	•	•

Padlocks Ordering Procedure

Padlock Series 215	Body Material A	Body Size 40	Shackle Material 8	Shackle Opening 50	Function L	Format 1	Colour 2	Pack Type & Keying 5KD
Padlock Series	Body Size	Shackle Material		Shackle Opening		Format	Pack Types and Keying	
214 Series 214	Nominal Size in mm 40	Brass 2		Nominal Size in mm 25		Window Cover 1	Keyed Alike KA	
215 Series 215	Nominal Size in mm 50	Stainless Steel 6		Nominal Size in mm 50			5 Pin Keyed Alike 5KA	
Body Material	Function	Colour		Format		Keying		
Aluminium A	Latching L	Red 1		Deadlocking D		5 Pin Keyed to Differ 5KD		
		Orange 2				6 Pin Keyed Alike 6KA		
		Yellow 3				6 Pin Keyed to Differ 6KD		
		Green 4				6 Pin Master Keyed 6MK		
		Blue 5				Bulk BK		
		Purple 6				GEN6T Master Keyed G6M		
		White 7				MT5+ Master Keyed MT5+		
		Black 8				Note: For deadlocking function insert "D" in front of keying suffix. Eg. D6KD.		

215P Series Plastic Body Padlocks



The Lockwood 215P Plastic Body Series Padlocks have been specifically designed for the electrical and mining safety lockout industries. When specified with a polymer shackle the padlock becomes completely non-conductive allowing for safety lockout within electrical applications.

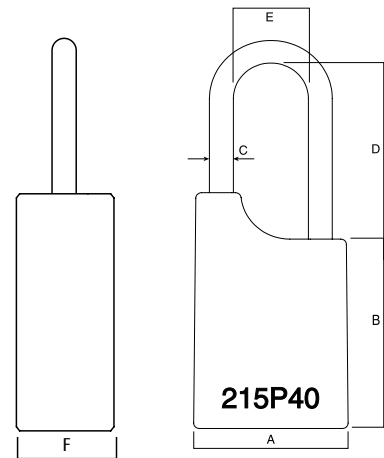
Features and Specifications

- Excellent corrosion resistance
- All components are non-sparking
- All components are non-magnetic
- Meets OH&S guidelines of one employee, one padlock and one key
- Available in six colours
- Includes write on "Danger" label

Product Details

Materials	Body: Plastic. Shackle: Plastic or brass.
Function	Spring loaded shackle with deadlocking function where the the key is retained and can only be removed with the shackle in the locked position.
Finish	Body: Coloured plastic. Shackle: Natural material.
Cylinders	Rekeyable 334 type padlock cylinder. Inline pin cylinders can be keyed to 5 or 6 pins.
Shackles	Available in 6mm diameter, 50mm long, brass and polymer shackles.
Special Keying	Locks can be keyed to a number of controlled and / or specially keyed systems. These range from legally protected keys to protect against unauthorised duplication and can also include specially designed keying systems such as master key systems. This allows for different levels of mechanical access control. The standard key supplied is the 6 pin restricted E3 profile. The key head is marked 'Safety Do Not Copy'. Bulk Locksmiths versions are available.

215P Series Plastic Body Padlocks



Specifications

Dimensions (mm)

Part Number	A	B	C	D	E	F
215P40/850	40	52	6	50	20	19

Available Keying Configurations

	6KA	6KD	BK
215P40/850	•	•	•
215P40/250	•	•	•
215P40/225	•	•	•

Padlocks Ordering Procedure

Padlock Series	Body Material	Body Size	Shackle Material	Shackle Opening	Colour	PackType & Keying
215	P	40	8	50	1	6KD

Padlock Series	Body Width	Shackle Opening	Pack Types and Keying
215 Series	Nominal Size in mm 40	Nominal Size in mm 50	6 Pin Keyed Alike 6KA
Body Material	Shackle Material	Colour	6 Pin Keyed to Differ 6KD
Plastic P	Brass 2	Red 1	6 Pin Master Keyed 6MK
	Polymer 8	Orange 2	Bulk BK
		Yellow 3	
		Green 4	
		Blue 5	
		White 7	
		Black 8	

225 Series Padlock



The Lockwood 225 Series Padlock is a zinc diecast padlock with a powdercoated finish.

The 225 padlock is primarily used with the 003 key code for the fire industry.

The padlock is also available with a brown powder coat finish for use in other applications.

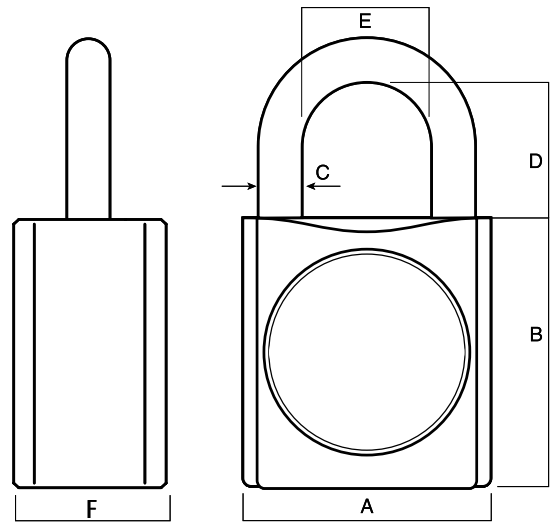
Features and Specifications

- Powder coated red body
- Hardened steel chrome plated shackle

Product Details

Materials	Body: High purity, diecast, zinc alloy. Shackle: Hardened steel.
Function	Spring loaded shackle with latching function where the key can be removed with the shackle in the open position.
Finish	Body: Red powder coat (003 version) or Brown powder coat. Shackle: Chrome plate.
Cylinder	Integrated 5 disc barrel.
Shackles	6.4mm diameter, 19mm long.

225 Series Padlock



Product Details– Dimensions

	A	B	C	D	E	F
225/40/119	38	38	6.4	19	19.5	20

Available Keying Configurations

	RKA	LS	KA	KD	003
225/40/119	•	•	•	•	•

Note: Red Fire Industry version shown keyed to 003 key.
Part No: 225/40/119/003

Padlocks Ordering Procedure

Padlock Series	Body Width	Shackle Material	Shackle Opening	Pack Type & Keying
225	40	1	19	KD

Padlock Series	Body Width	Shackle Opening	Pack Types and Keying
225 Series	225	19	Locksmith LS
	Nominal Size in mm	Nominal Size in mm	5 Disc Keyed to Differ KD
	Shackle Material		Keyed Alike KA
	Hardened Steel 1		Random Keyed Alike RKD
			Fire Industry Code 003

312 Series Padlocks



The Lockwood 312 Series Safety Lockout Padlocks are a durable and rugged brass padlock that has been specifically designed to meet the requirements of safety lockout applications.

Multiple departments or jobs can be easily identified using one of the jacket options. Laser etching is also optional for individual identification when using the windowed jacket.

Features and Specifications

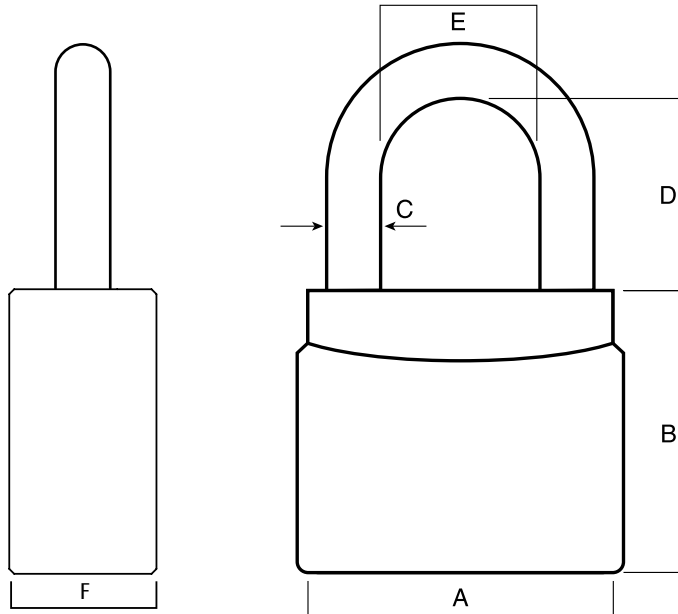
- Primarily used for safety lock out applications
- 6 pin tumbler mechanism
- Self latching or deadlocking (key retained)
- Dual shackle locking points
- Coloured covers available for easy identification.

Product Details

Materials	Body: Solid brass. Shackle: Stainless steel.
Function	Spring loaded shackle, available with latching function where the key can be removed with the shackle in the open position (L) or deadlocking function where the key is retained and can only be removed with the shackle in the locked position (D).
Finish	Body: Natural material. Shackle: Natural material.
Cylinders	Integrated cylinder, 6 pins.
Shackles	4.8mm diameter, 19mm, 38mm and 50mm lengths.

Note: Custom marking is available. Pricing and availability on application.

312 Series Padlocks



Product Details– Dimensions

	A	B	C	D	E	F
312##19	29	34	4.8	19	16	16
312##38	29	34	4.8	38	16	16
312##50	29	34	4.8	50	16	16

Available Keying Configurations

	KD	KA	MK	LS
312##19	•	•	•	•
312##38	•	•	•	•
312##50	•	•	•	•

Note: To ensure key numbers are not duplicated padlocks must be ordered to a site specific key system. If padlocks are ordered without a site specific key system number quoted on the order, key numbers may be duplicated.

Padlocks Ordering Procedure

Padlock Series	Profile	Function	Shackle Opening	Etching	Cover Colour	Keying
312	A	D	50	E1	RW	KD

Padlock Series	Function	Cover Colour	Keying
312 Series	312	Red Solid RD	Keyed to Differ KD
	Deadlocking D	Red Window RW	Keyed Alike KA
	Latching L	Orange Window OR	Locksmith LS
		Yellow Window YE	
		Green Window GR	
		Blue Window BL	
		Purple Window PU	
		White Window WH	
		Black Solid Cover BK	
		Black Window BW	
		Grey Window GY	
		Red Window with "Danger Do Not Enter" DD	

Profile	Shackle Opening (mm)	Etching
ALR A	19mm 19	Single Sided E1
32R B	38mm 38	Double Sided E2
CNR C	50mm 50	Leave blank if no etching is required
32S (232 Standard Profile) E		

312 Safety Lockout Hasp



Lockwood's unique patented Safety Lockout Hasp design provides protection for various portable installations suitable for both single and multipoint* locking applications. This product provides maximum protection when used in conjunction with Lockwood's 312 Series padlocks and ensures equipment can be isolated and not activated again until the repairs or maintenance are completed.

The locked out device cannot be reactivated until all workers have signed off on their portion of the project and removed their padlock from the hasp.

Lockwood's guarantee of quality means that you can be confident in your choice of Lockwood Safety Lockout products.

*When used in conjunction with 312 cables sold separately.

Product Details

Materials	Shackle: Stainless Steel. Locking points: Stainless Steel. Rivets: Stainless Steel. Spring: Stainless Steel. Body: Galvanised Steel.
Functions	Single action shackle release trigger. Piggy back function.
Finish	Powdercoat red.
Accessories	Red PVC coated cables are available separately for multi point locking in lengths of 1.5m, 6m, and 10m.

312 Safety Lockout Hasp

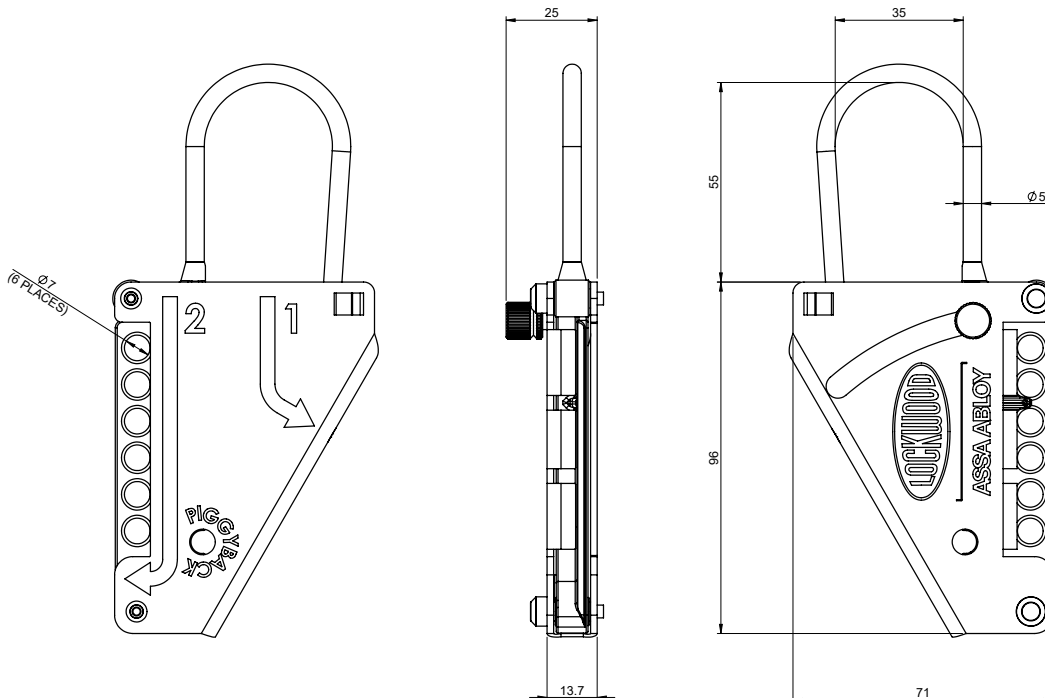
Features and Specifications

- Multi-function Safety Lockout Hasp with the unique design cable locking feature
- Hardened Stainless Steel hasp
- Self-latching
- Single action shackle release trigger
- Six padlock holes accepts 312 Series padlocks
- Heavy duty stainless steel return spring
- Piggy back function
- Stainless steel body rivets
- Highly visible red powder coat finish
- Multi point locking (when used in conjunction with cable)

Part Numbers

Part Number	Description
312CABLE/R10000	312 Safety lockout cable red PVC (10M)
312CABLE/R6000	312 Safety lockout cable red PVC (6M)
312CABLE/R1500	312 Safety lockout cable red PVC (1.5M)
312HASP/55	312 Safety lockout hasp (55mm) Shackle

Dimensions



312 Covered Supervisors Hasp



This product is specifically designed for use with Lockwood's 312 Series padlocks and ensures equipment can be isolated and not activated again until repairs or maintenance is completed.

The locked out device cannot be reactivated until the Supervisors Padlock is unlocked. The Supervisors padlock is only accessible after all workers have signed off on their portion of the project and have removed their padlock from the hasp.

The hasp will lock over a 312 Series Padlock with 10 lockout positions and a window to view the laser etched details on the supervisor's padlock. It is available in two colours, yellow and blue to represent day shift and night shift workers.

Lockwood's guarantee of quality means that you can be confident in your choice of Lockwood Safety Lockout products.

Features

- Laser etched details window
- 10 lock out positions
- Powder coated yellow and blue finish options
- Durable zinc plated steel construction
- Cut-outs for reduced weight

*312 padlocks sold separately.

Product Details

Materials

Body: Zinc Plated Steel.
Rivets: Aluminium / Steel.

Finishes

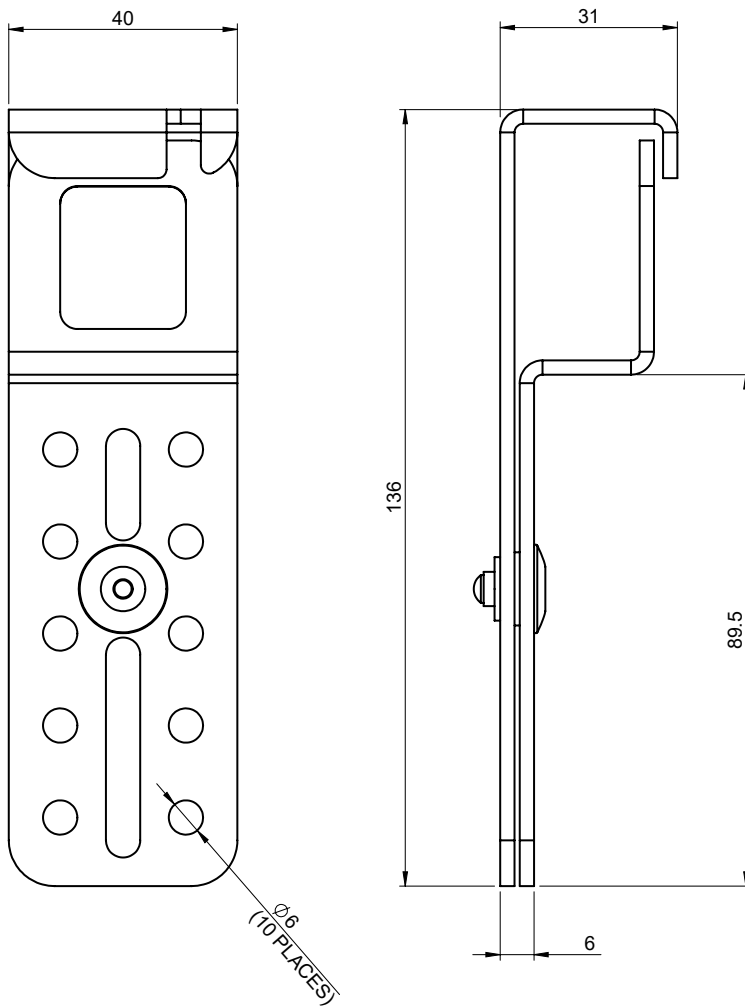
Powder coat colours blue (BL) & yellow (YE).

312 Covered Supervisors Hasp

Part Numbers

Part Number	Description
312HASP/CS10BL	312 Covered Supervisor Hasp 10 Hole Blue
312HASP/CS10YE	312 Covered Supervisor Hasp 10 Hole Yellow

Dimensions



312 Series Safety Lockout Range - Accessories

Padlock Holder for 4 Padlocks

Part Number	312HOLDER/4
Finish	Black

The Lockwood 312 Holder/4 has the capacity to hold four 312 Lockwood Padlocks (19 mm – 80 mm shackle), a retractable 312 Keyline and 312 Series Safety Jaws.

The carry case is designed to be easily fitted onto your belt. The 312 Holder also includes a clear face compartment which makes identification easy.

Note: Padlocks and Accessories are ordered separately.



Padlock Holder for 6 Padlocks

Part Number	312HOLDER/6
Finish	Black

The Lockwood 312 Holder/6 has the capacity to hold six 312 Lockwood Padlocks (19 mm – 80 mm shackle), a retractable 312 Keyline and the 312 Series Safety Jaws.

The carry case is designed to be easily fitted onto your belt. The 312 Holder also includes a clear face compartment which makes identification easy.

Note: Padlocks and Accessories are ordered separately.



Retractable Key Holder

Part Number	312KEYLINE
Finish	Chrome Plate/Black

This compact retractable key holder incorporates a spring loaded mechanism, a robust steel cable line and key ring.

The built in clip allows easy fitting onto the 312 Holder, or can be used independently. The 312 Keyline ensures keys are easily accessible when needed.

Note: Padlocks and Accessories are ordered separately.



312 Series Safety Lockout Range - Accessories

Safety Lockout Jaws

Part Number	Description
312JAWS	25mm - 6 Holes
312JAWS/7	25mm - 7 Holes

The safety lockout jaws ensure that machinery stays 'locked out' until each person removes his/her padlock from the hasp. This prevents any accidental re-energising of machinery before crews have completed their work.

The 312 Jaw holds up to six 312 padlocks and is made from hardened steel with a vinyl coating.

Note: Padlocks and Accessories are ordered separately.



Trailer Air Coupling Locks



The Lockwood Air Coupling Locks have been designed for the securing of Truck (Trailer) and industrial compressed air line applications. When attached to the air line this product provides security and safety.

Security: Whereby the air brakes air line fitting is effectively sealed when the lock is attached, preventing connection to the opposing fitting. In the case of a Trailer application this reduces the risk of the trailer being connected to a truck without authorisation.

Safety: In an industrial application the sealing of the air line can reduce the risk of an accidental connection of equipment when shut down for maintenance etc.

The Lockwood Air Coupling Lock range consist of two series, the AL Series and the TL Series.

AL Series

The AL Series comes with an integrated cylinder that can be keyed to most restricted key systems.

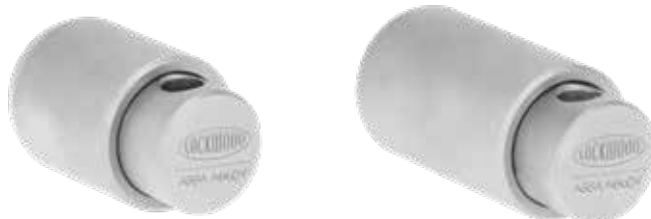
It is available in two models to suit both the ½" NPT female air coupling and the ½" NPT male air coupling.



TL Series

The TL Series is locked with a padlock. The locking point allows for use of a padlock with under 10mm shackle diameter.

It is available in two models to suit both the ½" NPT female air coupling and the ½" NPT male air coupling.



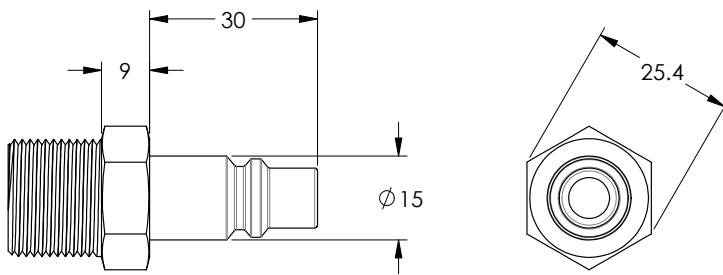
Air Coupling Types

Air Coupling Types

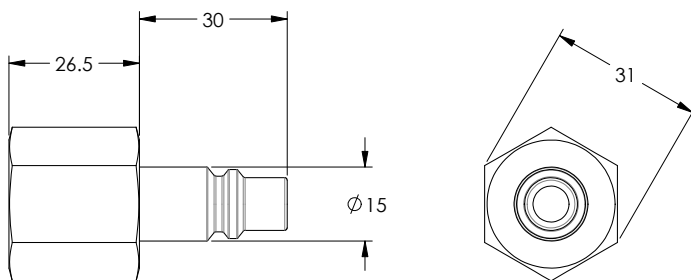
Air Couplings come in different sizes, the AL & TL Series are designed to work with ½ inch couplings;

- 1/2" NPT male coupling = AL Series 63 or TL Series 1/2IN
- 1/2" NPT female coupling = AL Series 81 or TL Series 28MM

Note: Air Couplings are not supplied.



½" NPT male thread coupling



½" NPT female thread coupling

AL Series



AL Series

The AL Series comes with an integrated cylinder that can be keyed to most restricted key systems.

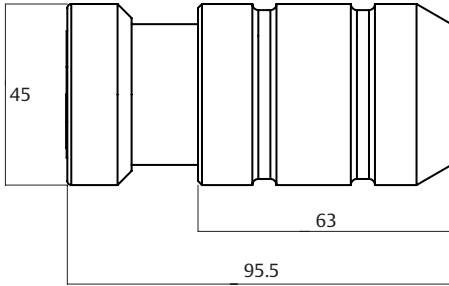
It is available in two models to suit both the ½" NPT female air coupling and the ½" NPT male air coupling.

Product Details

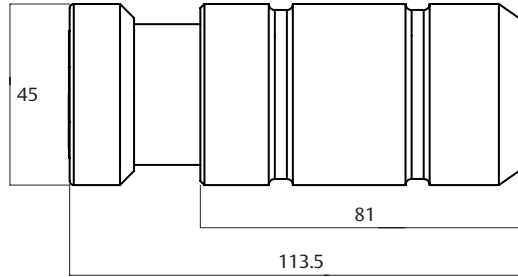
Dimensions	Diameter: 45mm. Length: <ul style="list-style-type: none">• AL Series 63 - 96mm.• AL Series 81 - 114mm.
Materials	Inner Sleeve: Mild steel. Outer Sleeve: Case hardened steel.
Function	Spring loaded function allowing for quick snap-on attachment to ½ inch air coupling fittings. Locked and unlocked by integrated cylinder. Key retained in unlocked position.
Finish	Chrome Plate (CP).
Cylinder	AL Series - 577 Synergy 3500 Series dual access lower cylinder.
Special Keying	Locks can be keyed to a number of controlled and/or specially keyed systems. These range from legally protected keys to protect against unauthorised duplication and can also include specially designed keying systems such as master key systems. This allows for different levels of mechanical access control.

AL Series

AL Series 63



AL Series 81



Part Numbers

Part Number	Description	Coupling Type
AL1/2/63MM##	AL Series 63 Air Coupling Lock	½" NPT male thread coupling
AL1/2/81MM##	AL Series 81 Air Coupling Lock	½" NPT female thread coupling

Note: ## in part number is exchanged for keying type.

KD = Keyed to Differ (Standard C4 profile 6 pin)

KA = Keyed Alike (Standard C4 profile 6 pin)

MK = Master Keyed (Standard C4 profile 6 pin)

TL Series



TL Series

The TL Series is locked with a padlock. The locking point allows for use of a padlock with under 10mm shackle diameter.

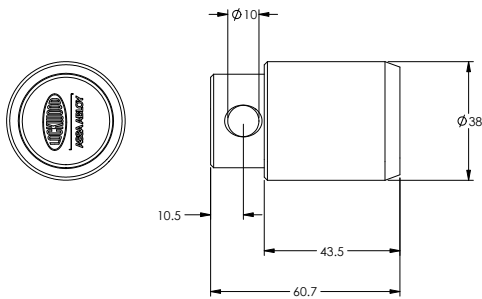
It is available in two models to suit both the ½" NPT female air coupling and the ½" NPT male air coupling. •

Product Details

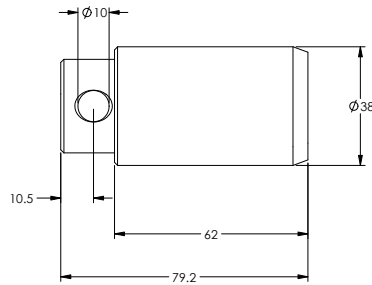
Dimensions	Diameter: 38mm. Length: <ul style="list-style-type: none">• TL Series 1/2IN – 59mm.• TL Series 28 – 79mm.
Materials	Inner Sleeve: Mild steel. Outer Sleeve: Case hardened steel.
Function	Spring loaded function allowing for quick snap-on attachment to ½ inch air coupling fittings.
Finish	Satin Chrome Pearl (SP).
Locking	The TL Series is locked by padlock. Padlocks are available separately and not included. Suits padlocks with a shackle diameter of under 10mm and minimum clearance height of 38mm.

TL Series

TL Series 1/2IN



TL Series 28MM



Part Numbers

Part Number	Description	Coupling Type
TL1/2IN	TL Series 1/2IN Air Coupling Lock	1/2" NPT male thread coupling
TL28MM	TL Series 28MM Air Coupling Lock	1/2" NPT female thread coupling

Note: Padlocks are available separately and not included.



ASSA ABLOY

Lockwood is the leading brand in the Australian locking industry. With an established reputation for high quality products, this iconic brand provides a wide range of locking solutions to residential housing, commercial building and industrial application markets. Lockwood is supported by an extensive distribution and after-sales support network. Our customers include retailers, architects, trade and industrial personnel, locksmiths and security dealers.

ASSA ABLOY is the global leader in door opening solutions, dedicated to satisfying end-user needs for security, safety and convenience.

ASSA ABLOY is represented in all major regions, in both mature and emerging markets, with leading positions in Australia, Europe and North America.

**25YEAR
MECHANICAL
WARRANTY**

The Lockwood 25 Year Mechanical Warranty

Our belief that we manufacture the finest premium products available in today's market place is backed by the Lockwood 25 Year Mechanical Warranty, ensuring that Lockwood continues to keep Australians safe by delivering security and peace of mind.

For warranty terms and conditions, please visit www.lockweb.com.au or call 1300WARRANTY

ASSA ABLOY Australia Pty Ltd
235 Huntingdale Road
Oakleigh, Victoria, 3166
Australia

1300 LOCK UP (1300 562 587)
lockweb.com.au

ASSA ABLOY New Zealand Ltd
6 Armstrong Road
Albany, Auckland, 0632
New Zealand

info.nz@assaabloy.com
Telephone +64 9415 7111
assaabloy.co.nz

Disclaimer

Whilst every effort has been made to ensure that the information (including product images and drawings) contained in this brochure is accurate at the time of publication, ASSA ABLOY Australia Pty Limited ("ASSA ABLOY") recommends that you consult ASSA ABLOY or its agents prior to placing an order to ascertain current information on specific products, as ASSA ABLOY reserves the right to make changes without notice. ASSA ABLOY will not be liable for any injury, loss or damage whatsoever, arising from any errors or omissions in the information contained in the brochure or arising from the use or application of the information contained herein. © 2023 copyright by ASSA ABLOY All rights reserved