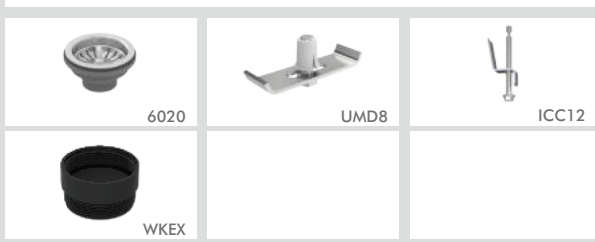


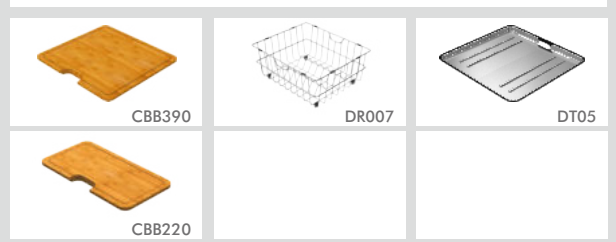


Model Code: BL180

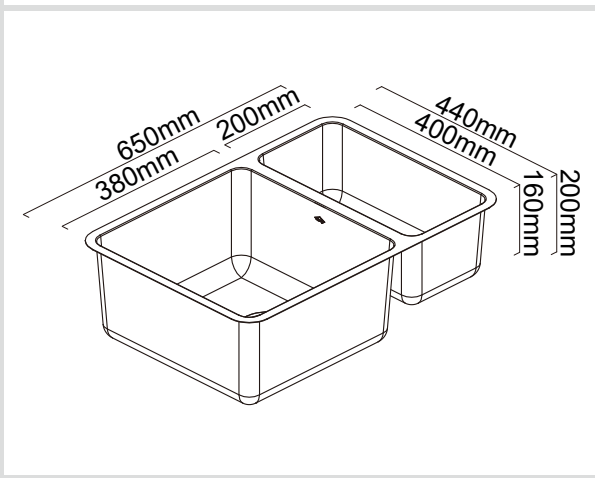
Included Accessories



Optional Accessories



Dimensions



Specifications

Description	Double bowls, Inset/Undermount Sink
Overall Sink Size	650mm x 440mm x 200mm deep
Bowl Dimensions	380mm x 400mm x 200mm deep 200mm x 400mm x 160mm deep
Drainer Length	N/A
Technic	Pressed
Material	Stainless steel SUS304

Installation

Fixings	Inset & Undermount clips supplied
Template	Supplied
Min Cabinet Size	700mm
Waste Holes	2 x 90mm round Compatible with waste disposal
Sealing Strip	N/A

Plumbing

Waste Fittings	2 x (90mm x 2") basket wastes included
Overflow	Available, conditions apply

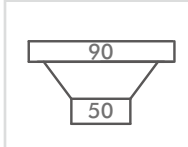
Packaging

Carton Type	EPS protection & Individual carton
Gross Weight	5.2Kg
Carton Size	715mm x 245mm x 520mm
Pack QTY	1

SURFACE FINISH



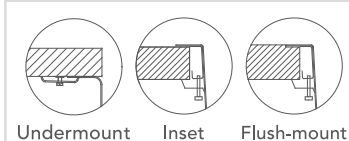
WASTE KIT



MATERIAL



INSTALLATION OPTIONS



PROFILE

