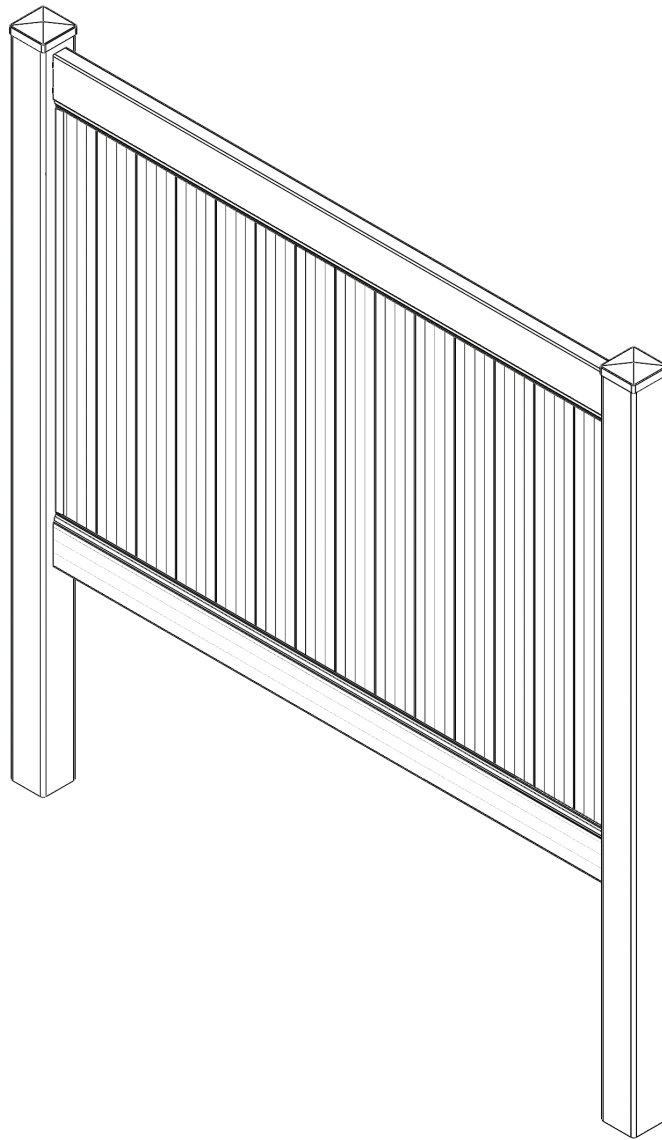


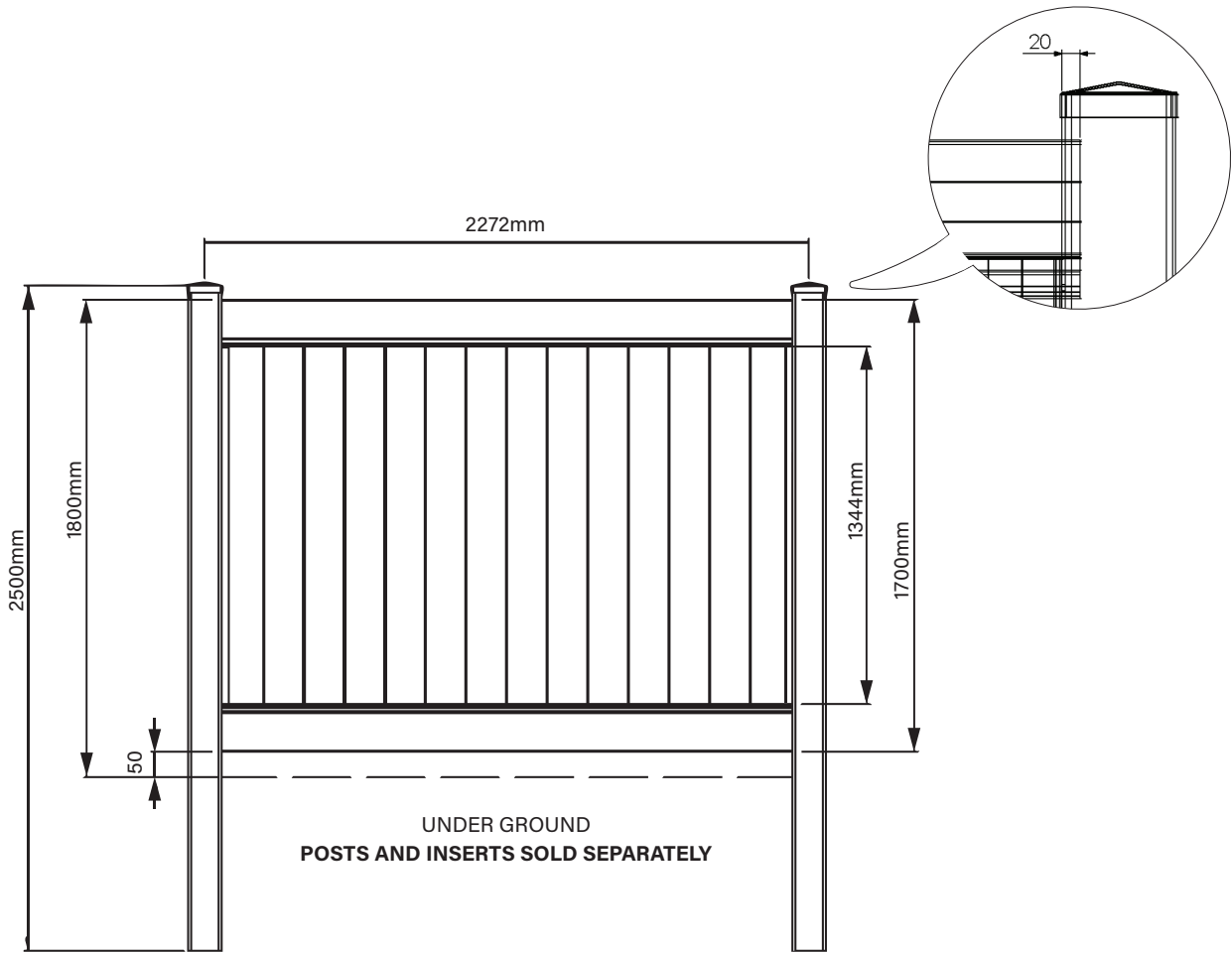
RAPIDFENCE™

Classic PVC Fence



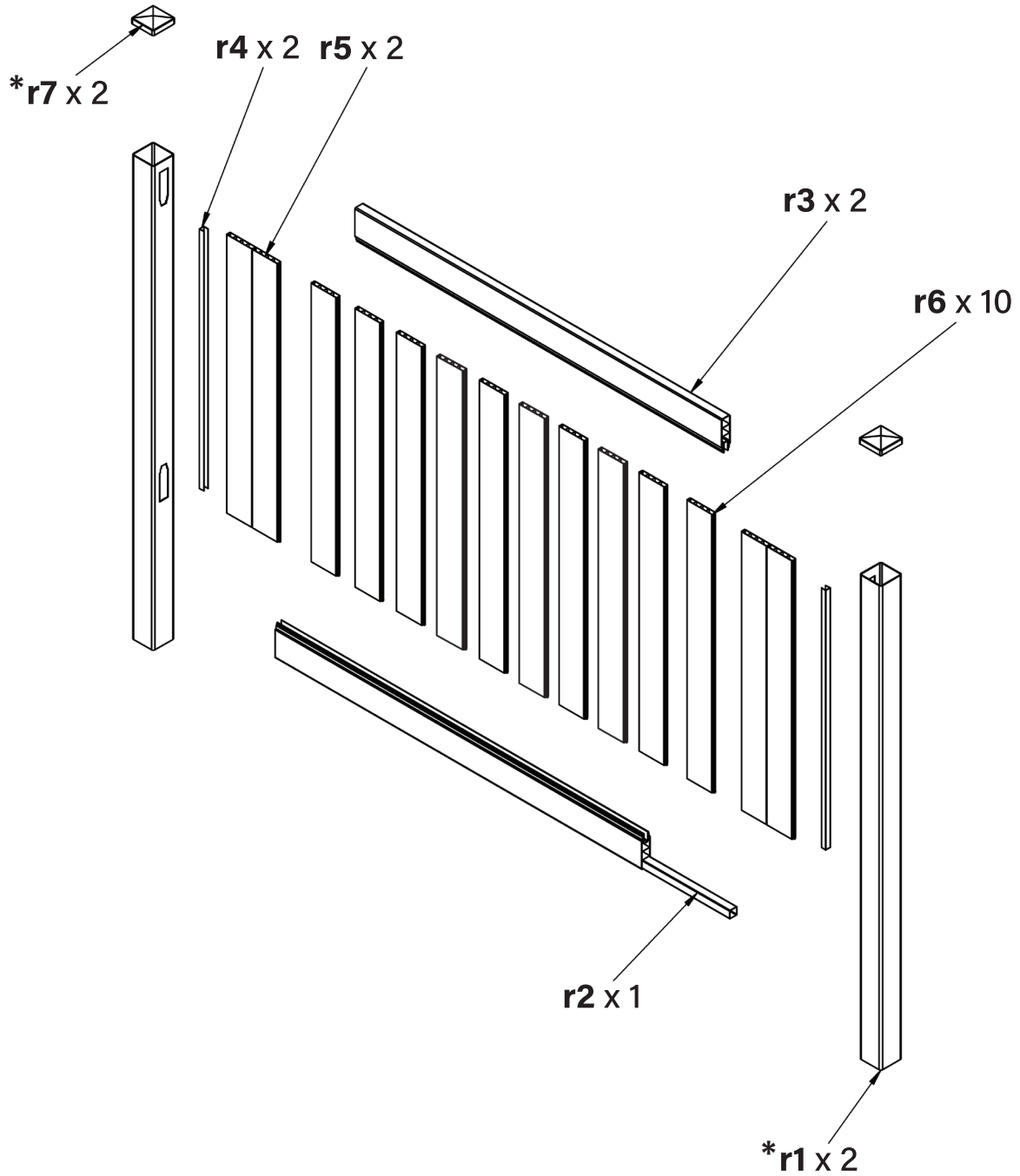
USER MANUAL

DIMENSION



RAPIDFENCE™

PART LIST

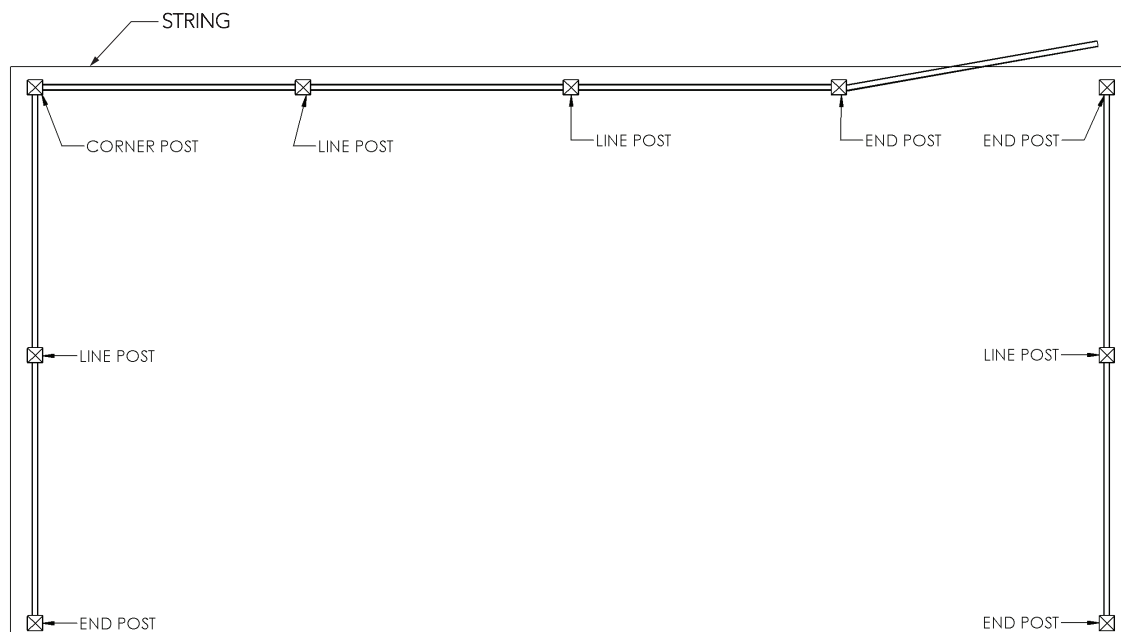


* Parts sold separately



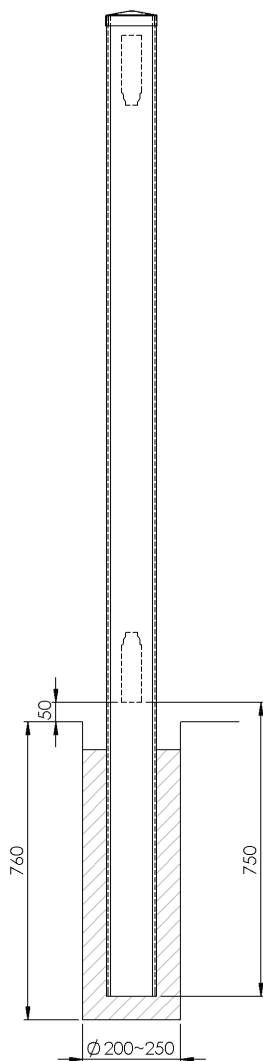
START BY PREPARING YOUR FENCE LAYOUT

1. Identify your boundary lines of the property.
2. Drive stakes into the ground along the property line and run a string between them to help keep your fence line straight. We suggest placing all **r1**s about 100 to 150mm inside the property line to keep the concrete footings from going over it.
3. Indicate the locations of each **r1** hole. Using bright spray paint or colourful flags are perfect for marking the location of each fence post hole.



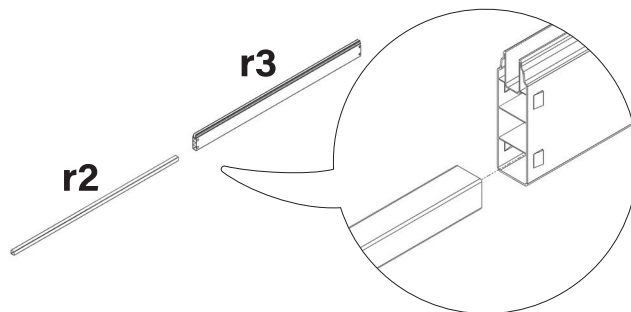
SETTING YOUR POST

1. Dig holes 200-250mm in diameter and 760mm deep, depending on the soil and weather within your area.
2. Insert **r1** in the holes, making sure the centre-to-centre distance is 2270mm and ensure it is square with the fence line for proper **r3** alignment. Use a level on two sides to keep it plumb and leave a 50mm gap between the bottom **r3** and the ground.
3. Pour concrete around the **r1**s to ground level. Repeat until all **r1** are securely set for panel assembly and gate installation. **Let the posts set in concrete for 24hrs before adding panels and gates.**

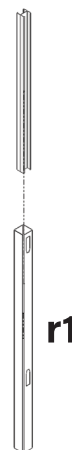


Pre-assembly

1. Ensure **r2** is in **r3**.



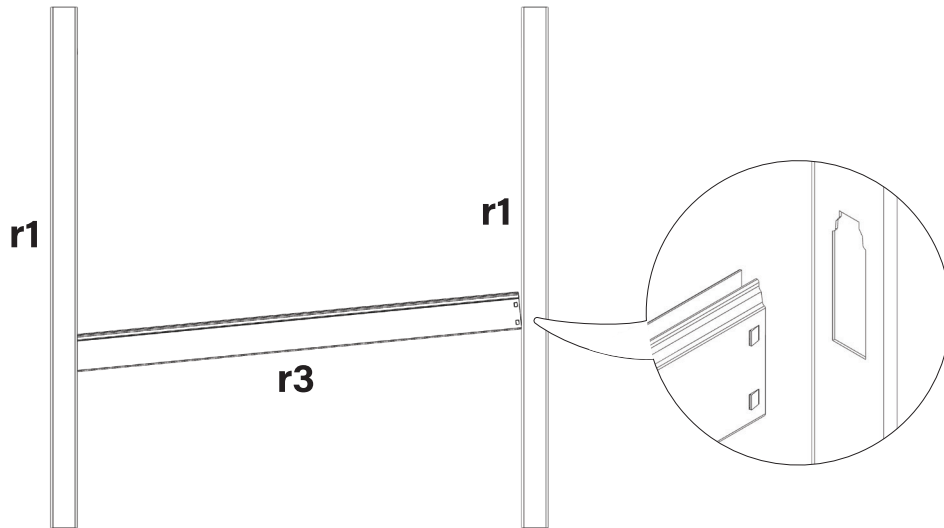
2. **PVC Post Aluminium Insert 117x117x2480mm 2 PK** into **r1**.



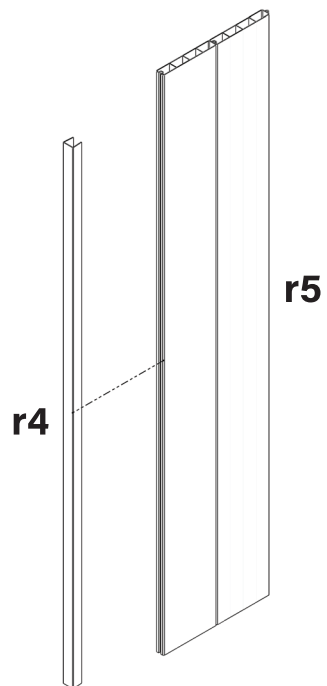
NOTE: This step is only applicable for line and end **r1** used for gates.

ASSEMBLING PVC FENCE

1. Insert one end of the bottom **r3** into the **r1**. The locking notch will hold **r3** in place.



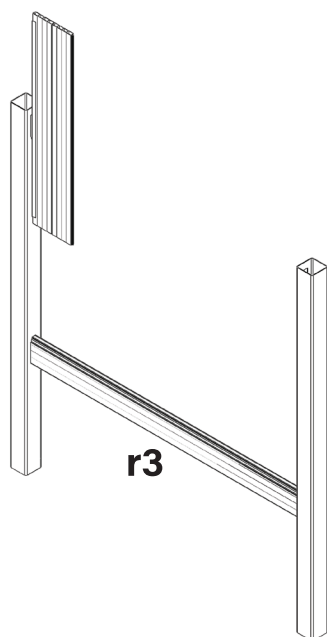
2. Slot in **r4** into **r5**.



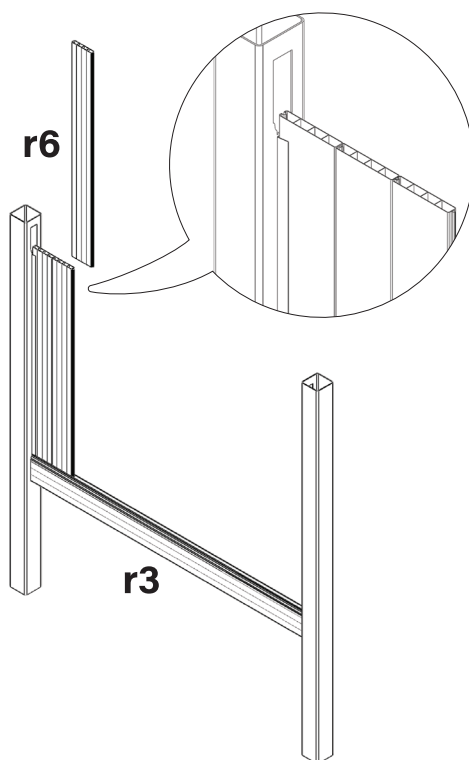
RAPIDFENCE™

ASSEMBLING PVC FENCE

3. Insert sub-assembly from step 2 into **r3**.



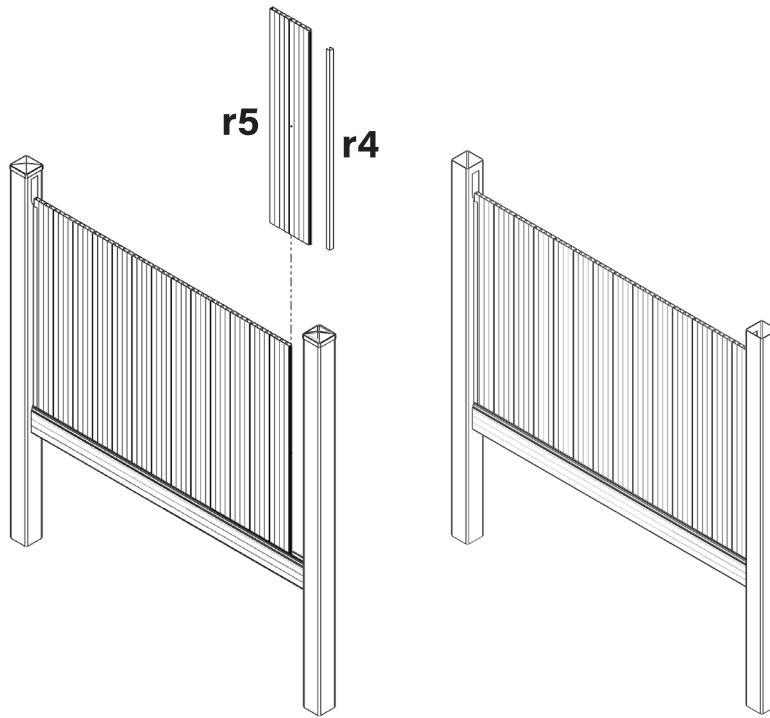
4. Inserting **r6** into **r3**, interlocking tongue and groove as you go.



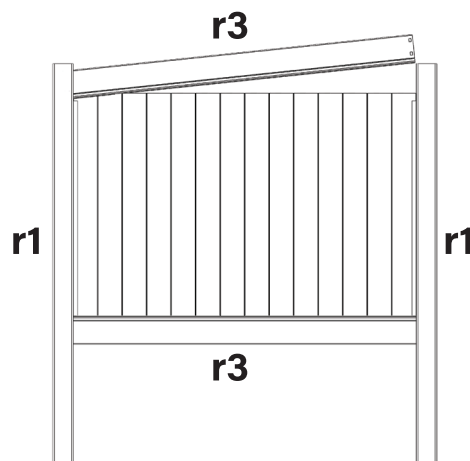
RAPIDFENCE™

ASSEMBLING PVC FENCE

5. Repeat until all **r6** are interlocked. Ensure **r5** & **r4** are the last one to be installed.

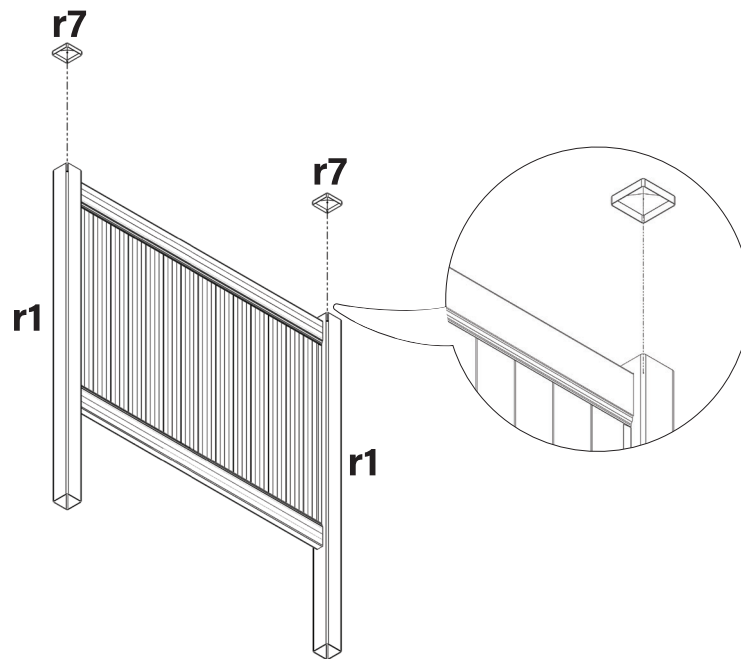


6. Insert one end of the top **r3** into the **r1** and continue working down the panel, inserting **r6** into **r3** as you go. Once all **r6** are installed, slide in the loose end into **r1**. Secure another end of **r3** into the **r1** by locking in the notches.



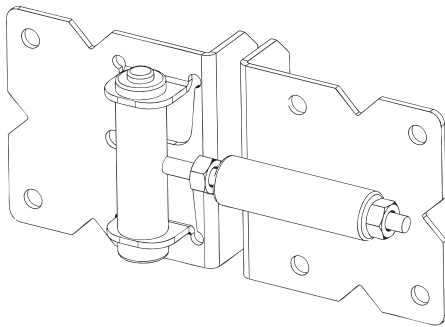
ASSEMBLING PVC FENCE

7. Apply PVC Glue to the inside of **r7** and press completely on to **r1**.

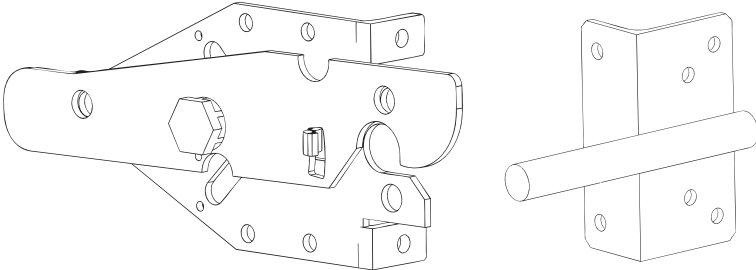


NOTE: If **r1** spacing is less than 2270 mm on centre, you will need to cut the top and bottom **r3** and a tongue and groove panel to a smaller width to fit your remaining opening with a power saw. The cut on panel will be hidden and insert into the **r4**. Put a self-drilling screw into the cut **r3** to hold it in place.

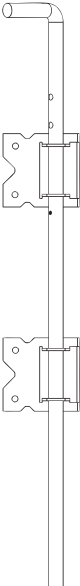
RAPIDFENCE CLASSIC PVC GATE 1800X1130MM INSTALLATION



RapidFence PVC Fence Gate Hinge Kit 89x89x180mm



RapidFence PVC Fence Gate Latch Kit 203x88x29mm

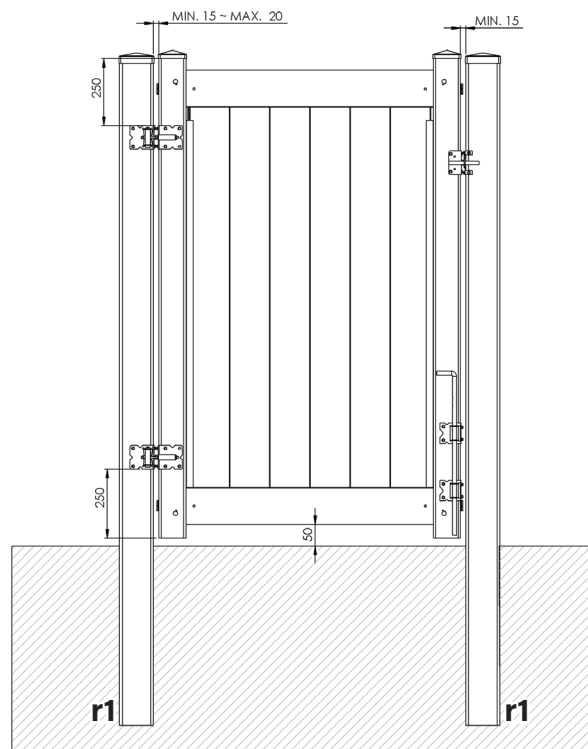
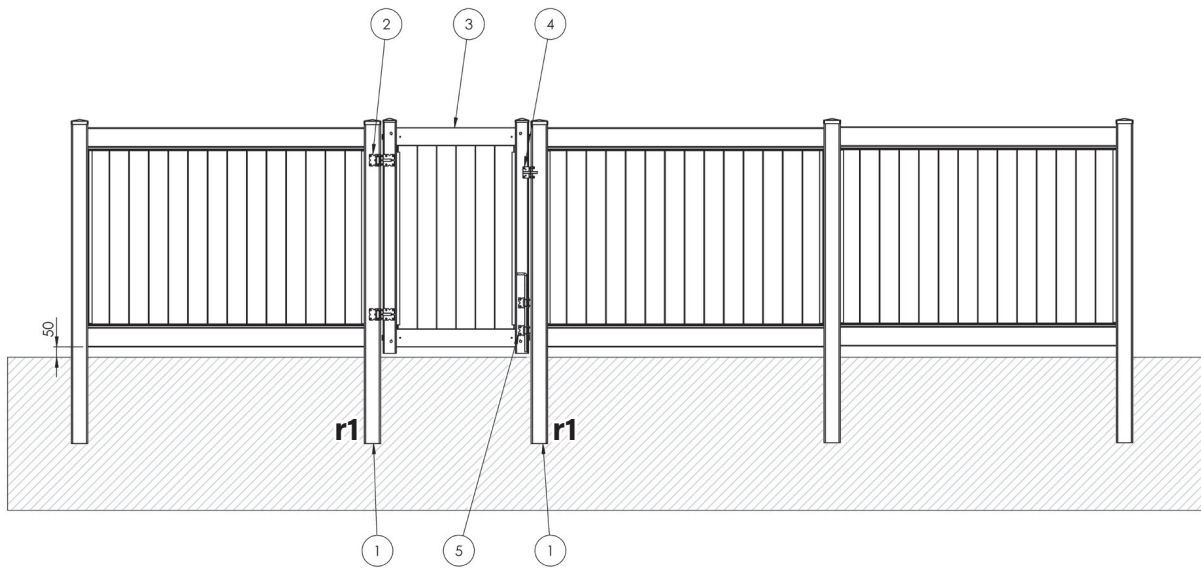


RapidFence PVC Fence Gate Drop Bolt Kit 6.25x610mm



RAPIDFENCE CLASSIC PVC GATE 1800X1130MM INSTALLATION

1. Ensure **RapidFence PVC Post Aluminium Insert 117x117x2480mm 2 PK** are inserted into **r1s** on both sides of where the gate is intended to be installed.
2. Attach **RapidFence PVC Fence Gate Hinge Kit 89x89x180mm** onto **r1**.
3. Connect the **RapidFence Classic PVC Gate 1800x1130mm** onto the hinges. Make sure that the top of the gate is on the same horizontal level as the fence.
4. Install **RapidFence PVC Fence Gate Latch Kit 203x88x29mm**.
5. Install **RapidFence PVC Fence Gate Drop Bolt Kit 6.25x610mm**, if necessary.



RAPIDFENCE™