

AEG

A18PS1

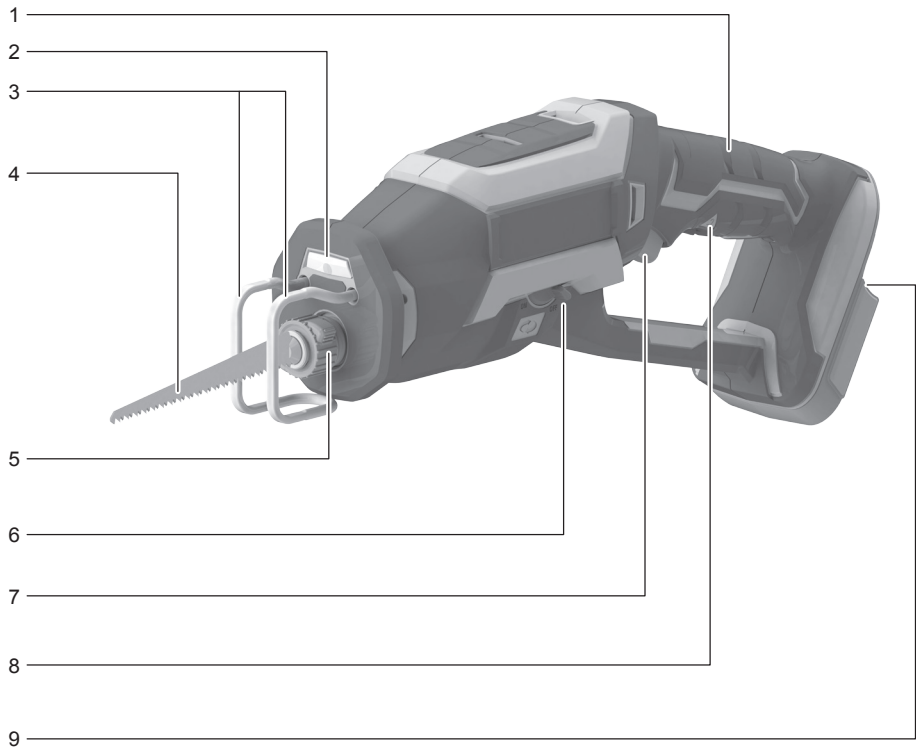
Original instructions

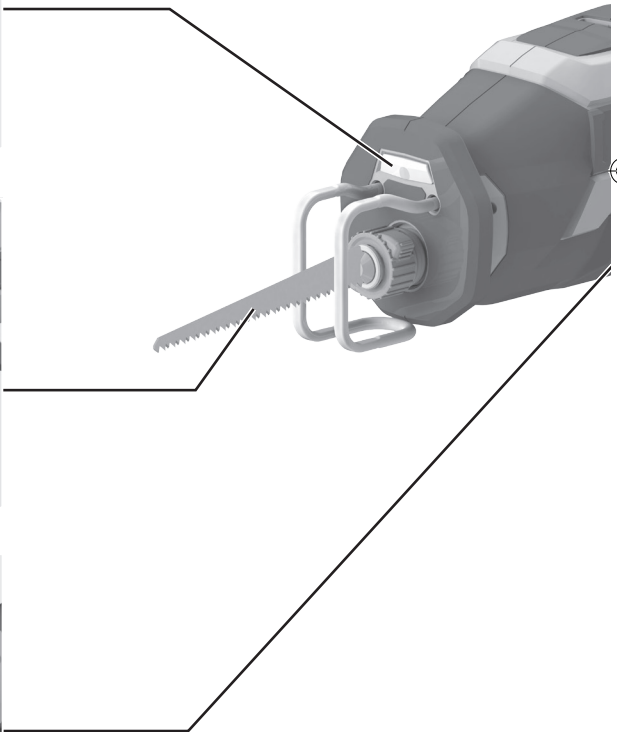
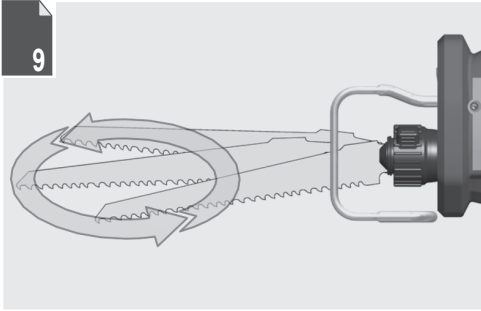
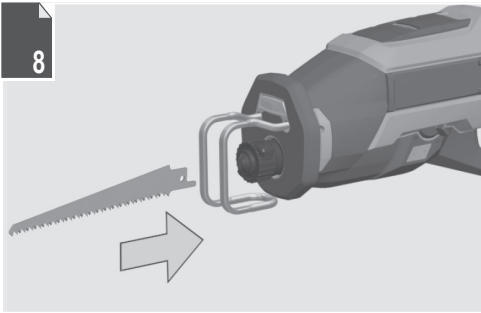
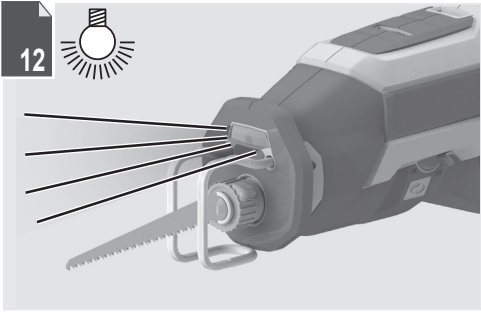
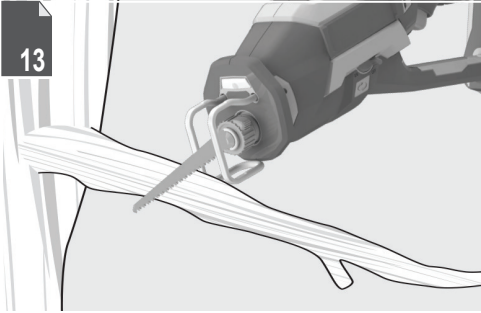
Important!

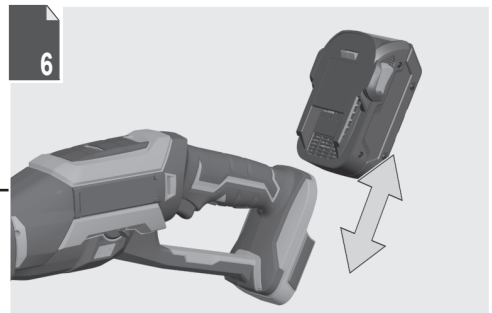
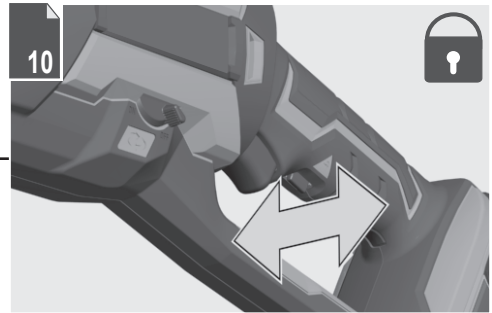
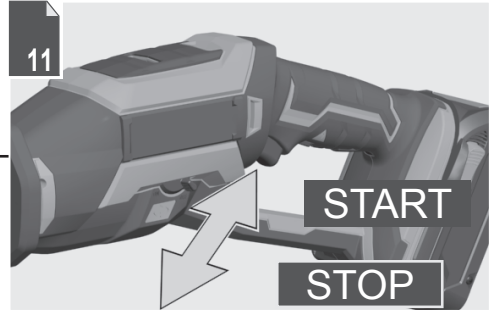
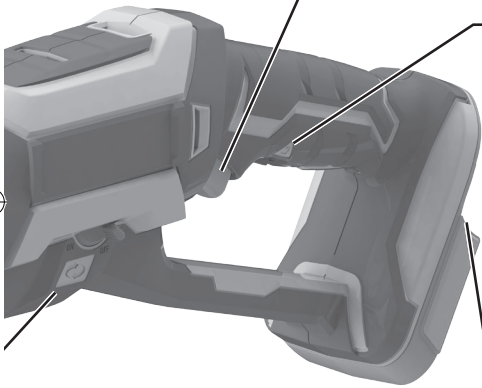
It is essential that you read the instructions in this manual before assembling, operating and maintaining the product.

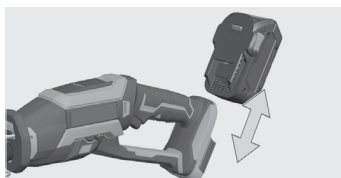
Subject to technical modifications.

- 1. Handle, insulated gripping surface
- 2. LED light
- 3. Shoe assembly
- 4. Blade
- 5. Blade clamp
- 6. Orbital action selector
- 7. Switch trigger
- 8. Lock-off button
- 9. Battery port

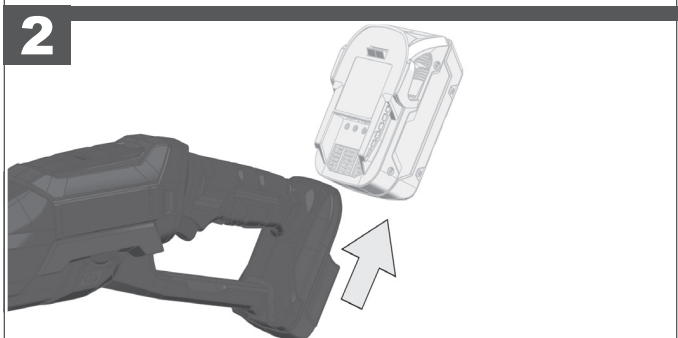
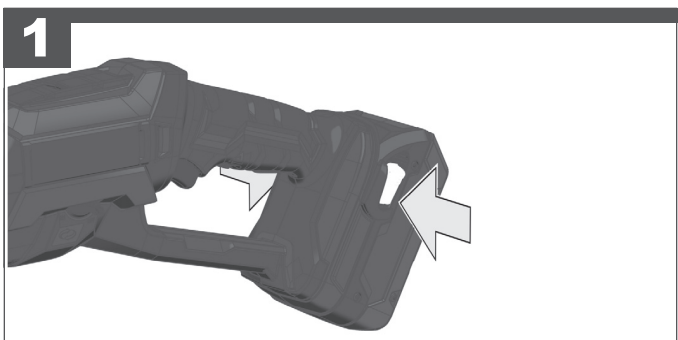
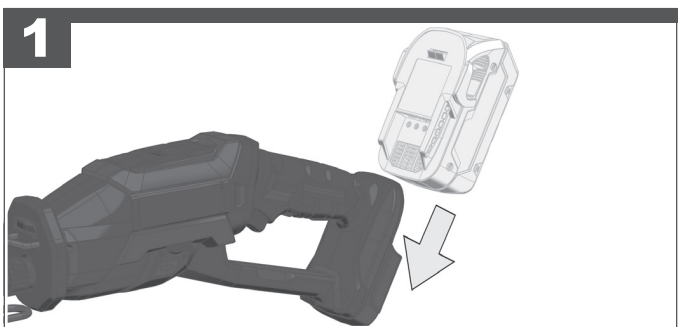


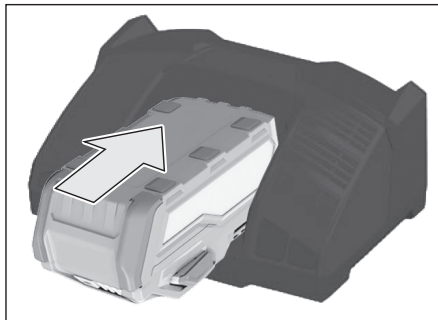
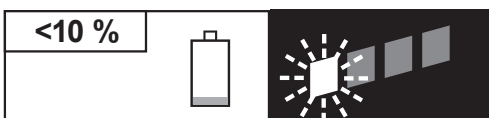
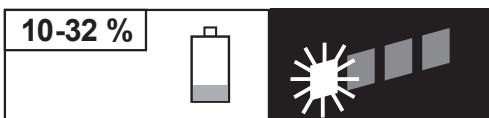
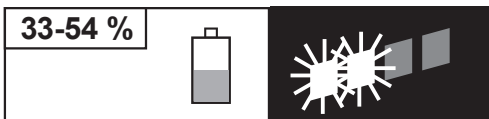
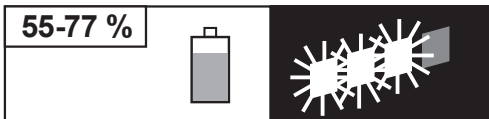
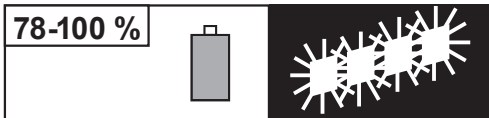
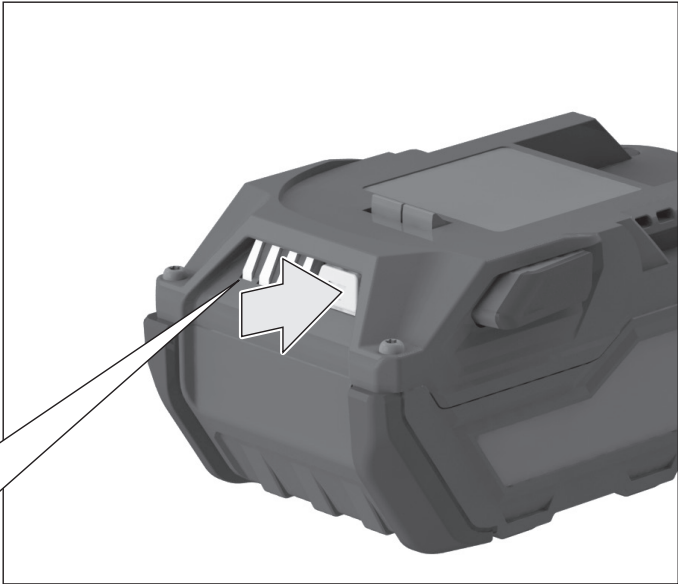


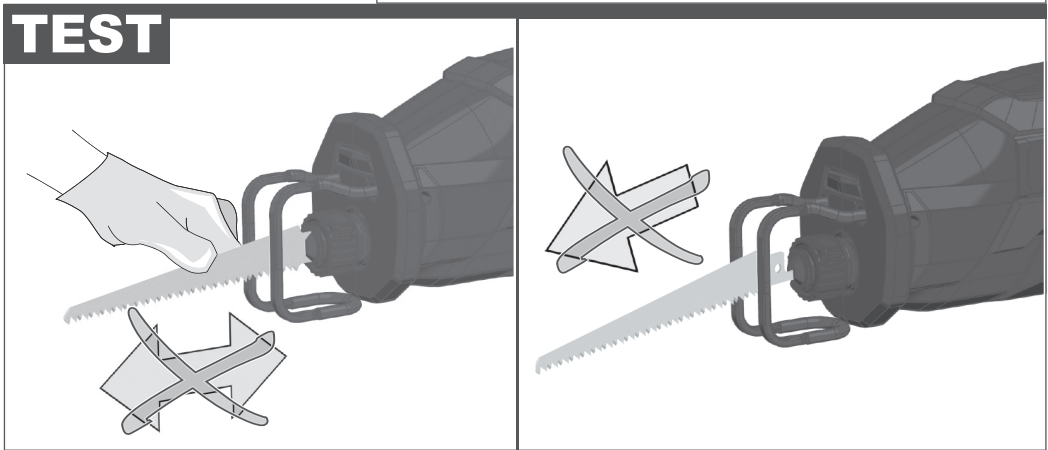
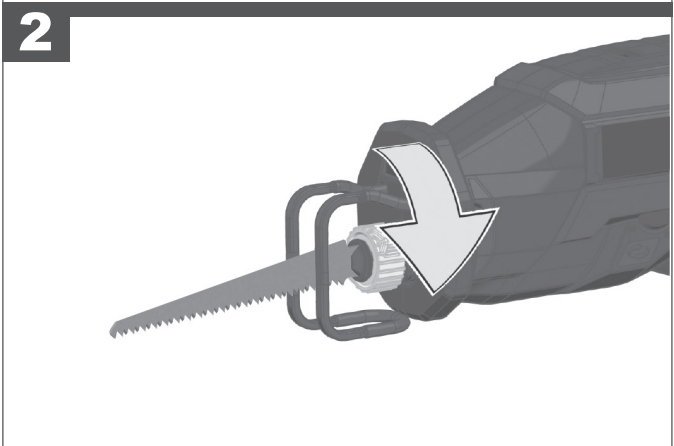
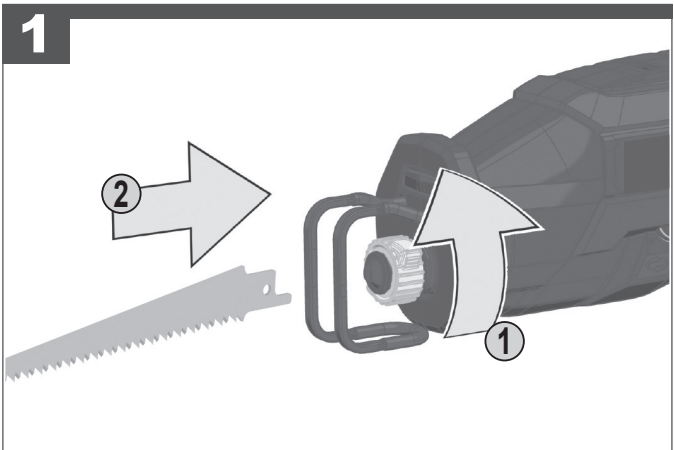
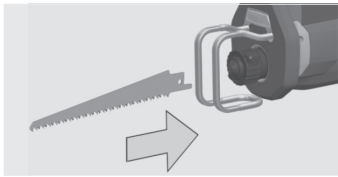


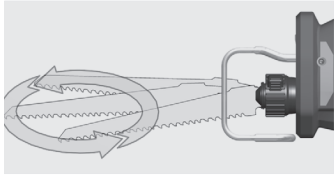


Remove the battery pack before starting any work on the machine.



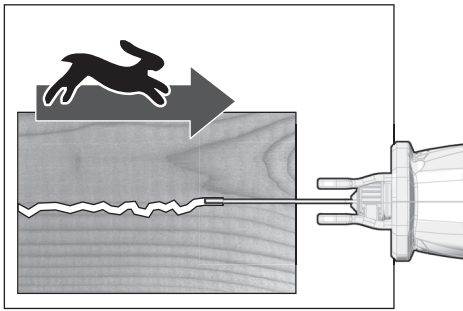
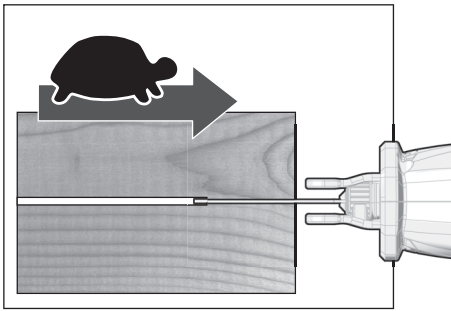
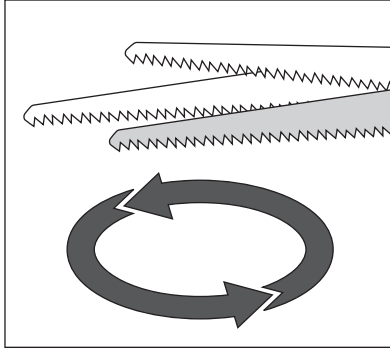
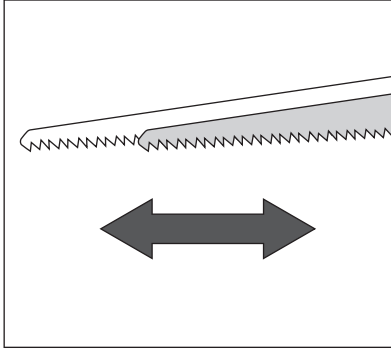
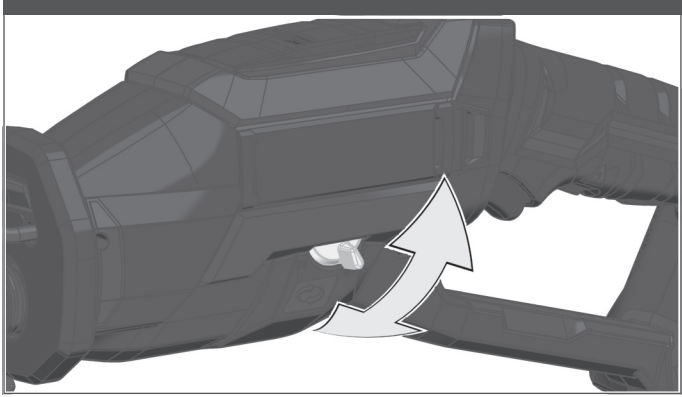


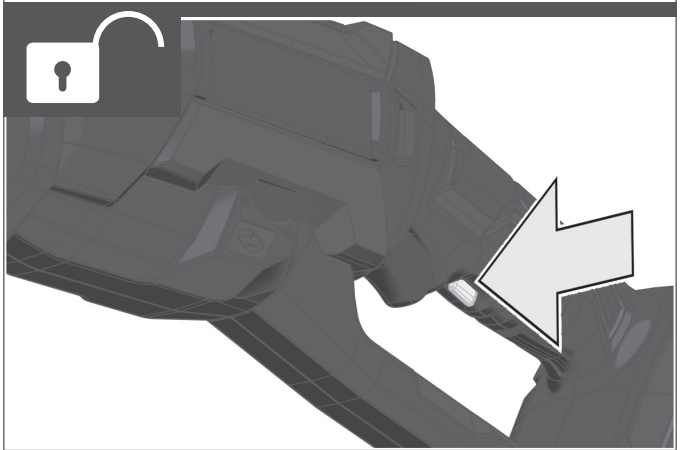
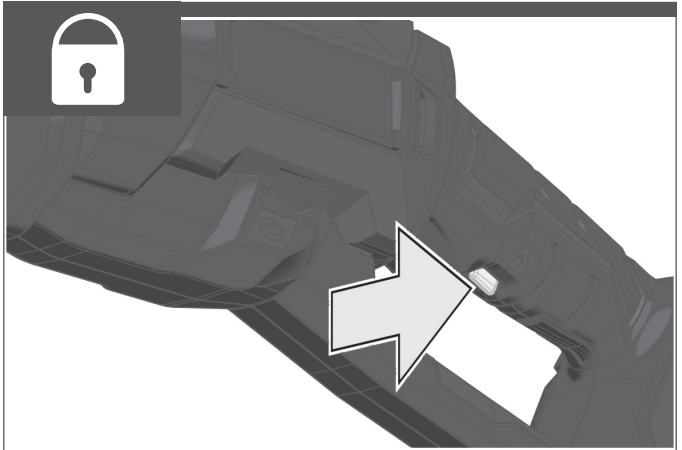
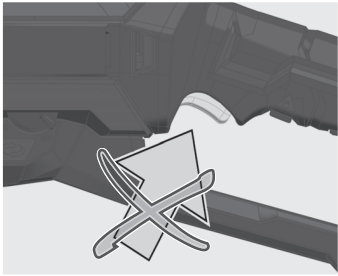
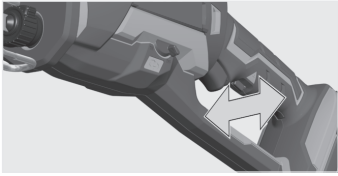


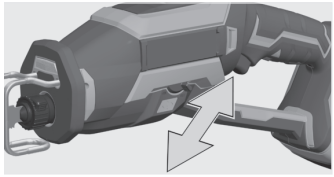


to avoid potential damage of the tool, always allow motor to come to a complete stop before setting the orbital action selector.

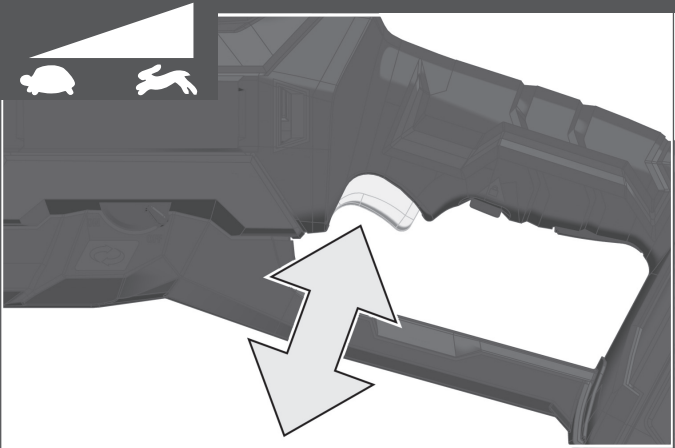
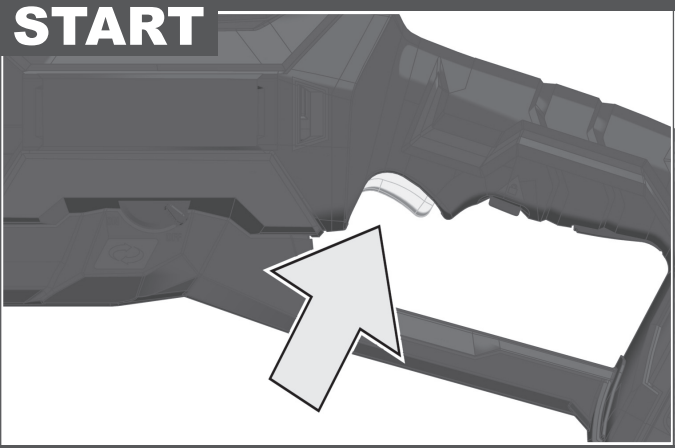
do not use the orbital action setting when using metal cutting blade.



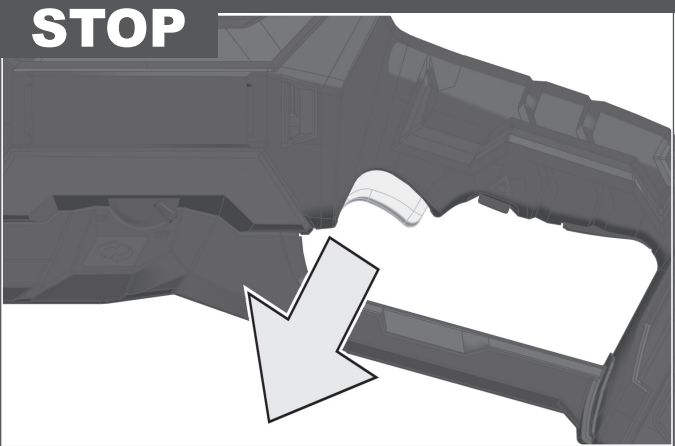


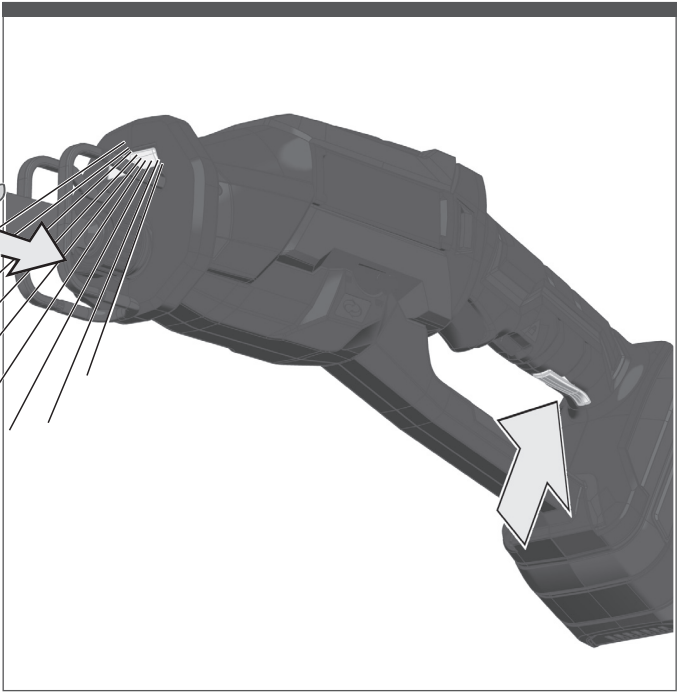
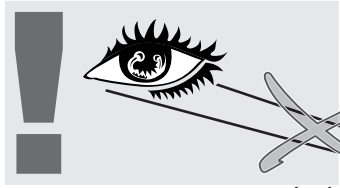
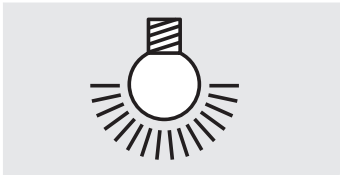


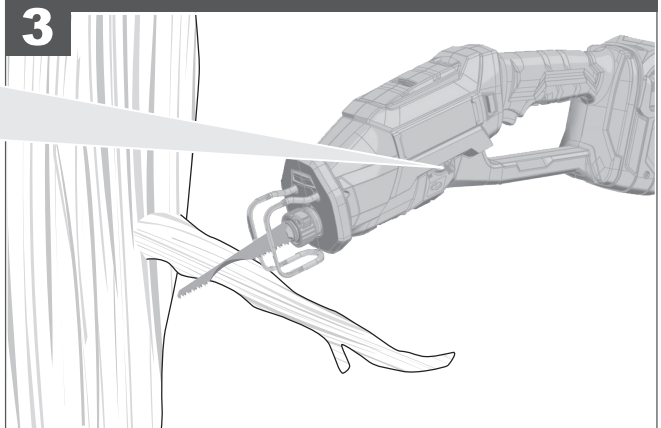
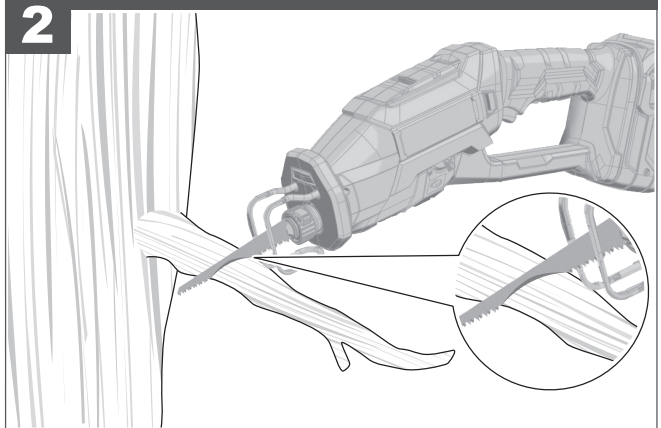
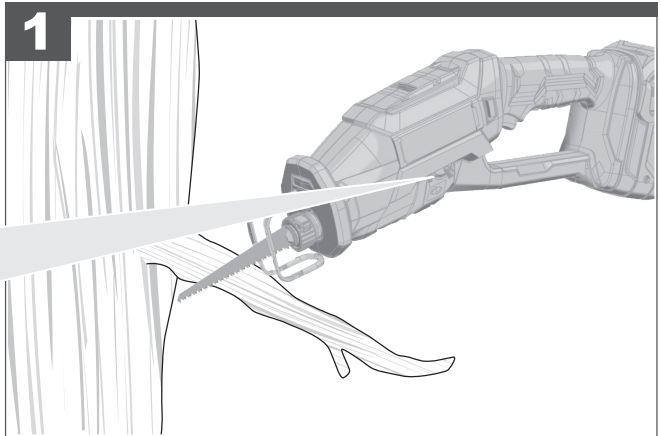
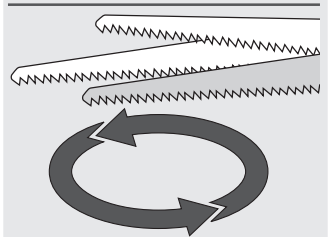
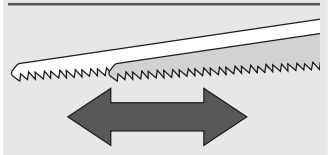
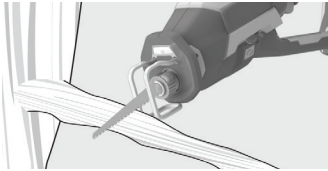
START

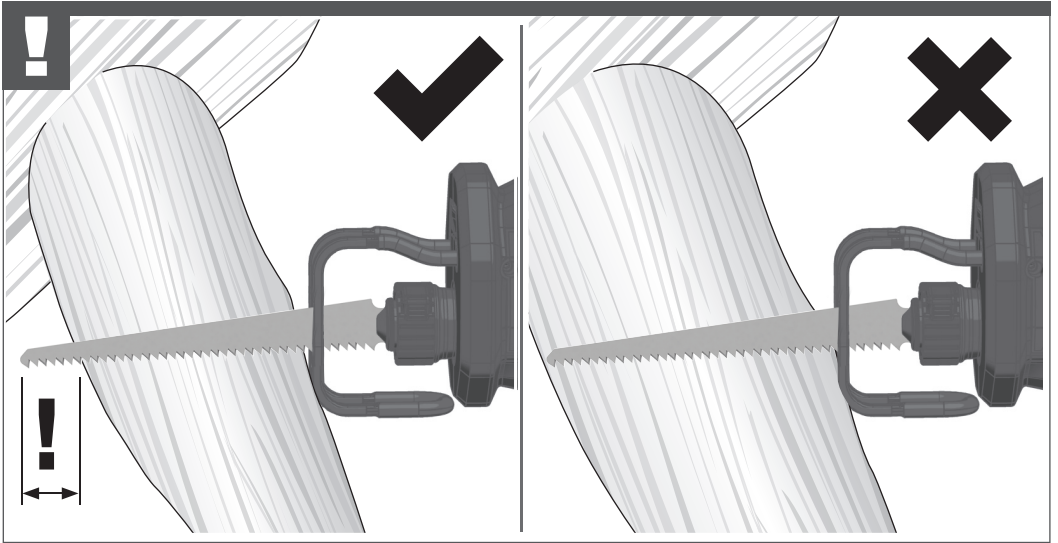


STOP









Always ensure that the blade length is longer than the material being cut.



TECHNICAL DATA	PRUNING SAW	A18PS1
----------------	-------------	--------

Rated voltage	18 V
Stroke rate under no-load	0-3000 min ⁻¹
Lengths of stroke	19 mm
Max blade length9"
Weight - not including battery pack21 kg
Measured values determined according to EN 62841:	
A-weighted sound pressure level	$L_{PA} = 84.5 \text{ dB(A)}$
Uncertainty K5 dB(A)
A-weighted sound power level	$L_{WA} = 95.5 \text{ dB(A)}$
Uncertainty K5 dB(A)
Wear ear protectors.	
The vibration total values (triaxial vector sum) determined according to EN 62841:	
Vibration emission value a_h	
Cutting board	15.4 m/s ²
Uncertainty K	1.5 m/s ²
Cutting wooden beam	15.7 m/s ²
Uncertainty K	1.5 m/s ²

WARNING

The vibration emission level given in this information sheet has been measured in accordance with a standardised test given in EN 62841 and may be used to compare one tool with another. It may be used for a preliminary assessment of exposure. The declared vibration emission level represents the main applications of the tool. However if the tool is used for different applications, with different accessories or poorly maintained, the vibration emission may differ. This may significantly increase the exposure level over the total working period.

An estimation of the level of exposure to vibration should also take into account the times when the tool is switched off or when it is running but not actually doing the job. This may significantly reduce the exposure level over the total working period.

Identify additional safety measures to protect the operator from the effects of vibration such as: maintain the tool and the accessories, keep the hands warm, organisation of work patterns.

BATTERY AND CHARGER

Compatible battery pack (not included)	Compatible charger (not included)
L1820R	
L1820S	
L1825R	AL18G
L1830R-X5	BL1218
L1840R	BLK1218
L1850R	BL18DPS
L1860R	BL18S
L1860R-X5	
L1890R	

Use AEG 18V battery and charger only

WARNING!

Read all safety warnings, instructions, illustrations and specifications provided with this power tool. Failure to follow all instructions listed below may result in electric shock, fire and/or serious injury.

Save all warnings and instructions for future reference.

SAFETY INSTRUCTIONS FOR PRUNING SAW

Hold the power tool by insulated gripping surfaces, when performing an operation where the cutting accessory may contact hidden wiring. Cutting accessory contacting a "live" wire

may make exposed metal parts of the power tool "live" and could give the operator an electric shock.

Use clamps or another practical way to secure and support the workpiece to a stable platform. Holding the workpiece by hand or against your body leaves it unstable and may lead to loss of control.

Wear ear protectors. Exposure to noise can cause hearing loss.

Always wear goggles when using the machine. It is recommended to wear gloves, sturdy non slipping shoes and apron.

Sawdust and splinters must not be removed while the machine is running.

Always use the protective shields on the machine.

The dust produced when using this tool may be harmful to health. Do not inhale the dust. Wear a suitable dust protection mask.

Do not use cracked or distorted saw blades.

Plunge cuts without pre-drilling a hole are possible with soft materials (wood, light building materials for walls). Harder materials (metals) must first be drilled with a hole corresponding to the size of the saw blade.

Always place the guide shoe on the workpiece when sawing.

When working in walls, ceiling, or floor, take care to avoid electric cables and gas or water pipes.

Ambient temperature range for tool during operation is between 0°C and 40°C.

Ambient temperature range for tool storage is between 0°C and 20°C.



ADDITIONAL BATTERY SAFETY WARNINGS

WARNING!

To reduce the risk of fire, personal injury, and product damage due to a short circuit, never immerse your tool, battery pack or charger in fluid or allow a fluid to flow inside them. Corrosive or conductive fluids, such as seawater, certain industrial chemicals, and bleach or bleach containing products, etc., can cause a short circuit.

Do not dispose of used battery packs in the household refuse or by burning them. AEG Distributors offer to retrieve old batteries to protect our environment.

Do not store the battery pack together with metal objects (short circuit risk).

Use only System AEG chargers for charging System AEG battery packs. Do not use battery packs from other systems.

No metal parts must be allowed to enter the battery section of the charger (short circuit risk).

Never break open battery packs and chargers and store only in dry rooms. Keep dry at all times.

Battery acid may leak from damaged batteries under extreme load or extreme temperatures. In case of contact with battery acid wash it off immediately with soap and water. In case of eye contact rinse thoroughly for at least 10 minutes and immediately seek medical attention.

The recommended ambient temperature range for the charging system during charging is between 10°C and 38°C.

Ambient temperature range for battery during use is between 0°C and 40°C.

Ambient temperature range for battery storage is between 0°C and 20°C.

SPECIFIED CONDITIONS OF USE

This pruning saw is intended for the cutting and pruning of small limbs, branches on trees, and shrubs.

Do not use the product in any way other than those stated for intended use.

BATTERIES

New battery packs reach full loading capacity after 4 - 5 chargings and dischargings. Battery packs which have not been used for some time should be recharged before use.

Temperatures in excess of 50°C (122°F) reduce the performance of the battery pack. Avoid extended exposure to heat or sunshine (risk of overheating).

The contacts of chargers and battery packs must be kept clean.

For an optimum life-time, the battery packs have to be fully charged, after use.

To obtain the longest possible battery life remove the battery pack from the charger once it is fully charged.

For battery pack storage longer than 30 days:

- Store the battery pack where the temperature is below 27°C and away from moisture.
- Store the battery packs in a 30% - 50% charged condition.
- Every six months of storage, charge the pack as normal.

BATTERY PACK PROTECTION

The battery pack has overload protection that protects it from being overloaded and helps to ensure long life. Under extreme stress the battery electronics switch off the product automatically. To restart, switch the product off, wait five seconds or re-install the battery pack, and switch on again. If the product does not start up again, the battery pack may have discharged completely. In this case it must be recharged in the battery charger.

TRANSPORTING LITHIUM BATTERIES

Lithium-ion batteries are subject to the Dangerous Goods Legislation requirements.

Transportation of those batteries has to be done in accordance with local, national and international provisions and regulations.

- The user can transport the batteries by road without further requirements.
- Commercial transport of Lithium-Ion batteries by third parties is subject to Dangerous Goods regulations. Transport preparation and transport are exclusively to be carried out by appropriately trained persons and the process has to be accompanied by corresponding experts.

When transporting batteries:

- Ensure that battery contact terminals are protected and insulated to prevent short circuit.
- Ensure that battery pack is secured against movement within packaging.
- Do not transport batteries that are cracked or leak.

Check with forwarding company for further advice.

MAINTENANCE

Remove the battery pack before starting any work on the product.

The ventilation slots of the machine must be kept clear at all times.

Use only AEG accessories and AEG spare parts. Should components need to be replaced which have not been described, please contact one of our AEG service agents (see our list of guarantee/service addresses).

If needed, an exploded view of the tool can be ordered. Please state the Article No. as well as the machine type printed on the label and order the drawing at your local service agents or directly at:

Techtronic Industries Australia Pty Ltd

PO Box 1065
Mount Waverley VIC 3149
Tel. no. 1300 234 797
Australia

Techtronic Industries N.Z. Limited

PO Box 12-806
Penrose AUCKLAND 1642
Tel. no. 0800 234 797 (0800 AEGPWR)
New Zealand

SYMBOLS



Safety alert

n_0

No-load speed

V

Volts



Direct current



Regulatory Compliance Mark (RCM). Product meets applicable regulatory requirements.



Please read the instructions carefully before starting the machine.



Wear eye protection.



Wear ear protectors.



Wear a suitable dust protection mask.



Keep hands away from blades.



Do not expose to rain or damp condition.



Guaranteed sound power level





Do not dispose of electric tools together with household waste material. Electric tools and electronic equipment that have reached the end of their life must be collected separately and returned to an environmentally compatible recycling facility.







AEG



www.aegpowertools.com.au
www.aegpowertools.co.nz

Techtronic Industries Australia Pty Ltd
31 Gilby Road, Mount Waverley, VIC 3149
Australia

Techtronic Industries N.Z. Limited
Unit C, 70 Business Parade South,
Highbrook, Auckland 2013, New Zealand

961096760-01A

*AEG is a registered trade mark used under
license from AB Electrolux (publ).
© 2021 Techtronic Cordless GP.*

