



**R18XPWS10**



## IMPORTANT!

It is essential that you read the instructions in this manual before assembling, operating, and maintaining the product.

Subject to technical modification.

Safety, performance, and dependability have been given top priority in the design of your cordless power washer.

## INTENDED USE

The cordless power washer is intended for outdoor use only.

The product is designed for home or domestic use. It is intended to clean patio furniture, windows, automobiles, and boats by removal of stubborn dirt using clean water with or without cleaning detergent.

The product should be used in well-illuminated conditions.

Use the designated accessory kits for the power washer when using it for any other purpose, such as spraying consumer-grade cleaning solutions and disinfectants.

Do not use the product for any other purpose.

**⚠ WARNING!** This product is designed to use with clean water only.

## GENERAL SAFETY WARNINGS

**⚠ WARNING!** Read all safety warnings and all instructions. Failure to follow the warnings and instructions may result in electric shock, fire, and/or serious injury.

**⚠ CAUTION!** The product must not be used on a drinking water supply without a backflow preventer being installed. Water flowing through a backflow preventer is not considered drinkable. Do not connect the product to the public drinking water network.

- The product is not intended for use by children or persons with reduced physical, sensory, or mental capabilities, or lack of experience and knowledge. Children should be adequately supervised to ensure that they do not play with the product.
- Wear personal protective equipment when operating the product, such as safety goggles and hearing protection.
- To reduce the risk of injury, keep children and bystanders away. All bystanders should wear safety glasses and be kept at a safe distance from the work area.

- Ensure that the safety devices are in good working condition. Make sure that all safety devices are operating properly before each use.

- Do not use the product if the important parts are damaged, such as safety devices or spray wand.

**⚠ WARNING!** During the use of power washers, aerosols may be formed. Inhalation of aerosols can be hazardous to health.

**⚠ WARNING!** Do not turn the nozzle while pulling the trigger. If the water is flowing while the nozzle is turned, the relief channel releases the water. This is not a leak, but allows the water to escape without damaging the tool.

- High-pressure jet is dangerous if misused. Do not direct the jet to people, live electronics, or the product itself.

- Do not direct the jet against yourself or others to clean clothes or footwear.

- Hoses, fittings, and couplings are important for the safety of the product. Use only hoses, fittings, and couplings that are recommended by the manufacturer.

- Some regions have regulations that restrict the use of the product in some operations. Check with your local authority for advice.

- Before each use, check for damage. Damaged hoses must be replaced immediately. Ensure that all connections, such as spray wand and nozzle, are secure. Unwind the hose properly so that they may not get twisted or kinked.

- Before starting any cleaning operation, close doors and windows. Clear the area to be cleaned of debris, toys, outdoor furniture, or other objects that could create a hazard.

- Do not use the product in temperatures below 0°C.

- Do not use acids, alkaline, solvents, or industrial grade solutions in the product. These products can cause physical injuries to the operator and irreversible damage to the product.

**⚠ WARNING!** High-pressure jet can be dangerous if subjected to misuse. The jet must not be directed to people, animals, electrical devices, or the product itself.

- Hold the handle securely with both hands. Expect the handle to move when the trigger is pulled due to reaction forces. Failure to

do so could cause loss of control and injury to yourself and others.

- Exercise caution to avoid slipping or falling.
- Keep firm footing and balance. Do not overreach. Overreaching can result in loss of balance.
- Never leave the product running unattended. Turn off the product, and leave only when it comes to a complete stop. Keep the product out of reach of children when it is turned on.
- Be familiar with the controls. Know how to stop the product and bleed the pressure quickly.
- Stay alert, and exercise control. Watch what you are doing, and use common sense.
- Do not use the product while tired, ill, or under the influence of drugs, alcohol, or medication. A moment of inattention while operating the product may result in serious personal injury.
- Do not use the product if the switch does not turn it on and off. Any product that cannot be controlled with a switch is dangerous and must be repaired.
- Keep a minimum distance of 30 cm when cleaning vehicles. The high-pressure jet may damage or burst vehicle tires or tire valves.
- The product is not to be used if it has been dropped, if there are visible signs of damage, or if it is leaking.
- Injuries may be caused, or aggravated, by prolonged use of the product. When using the product for prolonged periods, ensure to take regular breaks.

#### BATTERY PACK SAFETY WARNINGS

- Recharge the battery pack only with the charger specified by the manufacturer. A charger that is suitable for one type of battery pack may create a risk of fire when used with another battery pack.
- When battery pack is not in use, keep it away from other metal objects, such as paper clips, coins, keys, nails, screws, or other small metal objects that can make a connection from one terminal to another. Shorting the battery pack terminals together may cause burns or a fire.
- Keep the battery pack and the charger away from wet and damp conditions.

- Use the product only with battery packs specified in this manual. Use of any other battery packs may create a risk of injury and fire.
- Under abusive conditions, liquid may be ejected from the battery pack; avoid contact. If contact accidentally occurs, flush with water. If liquid contacts eyes, seek medical help. Liquid ejected from the battery pack may cause irritation or burns.
- The battery pack has overheat protection. Excessive temperatures will cause the battery to stop powering the product. If the battery pack is too warm, allow it to cool down before resuming operation. If the product still does not work, recharge the battery pack.  
**NOTE:** The battery pack LED indicator will not work if the battery pack protection feature has caused the battery pack to stop powering the product. Release the on-off button or remove the battery pack from the product and the battery pack LED indicator will resume normal function.

#### ADDITIONAL BATTERY SAFETY WARNINGS

**⚠ WARNING!** Do not splash water to the product. It may damage the battery pack.

To reduce the risk of fire, personal injury, and product damage due to a short circuit, never immerse your tool, battery pack or charger in fluid or allow fluid to flow inside them. Corrosive or conductive fluids, such as seawater, certain industrial chemicals, and bleach, or bleach-containing products, etc., can cause a short circuit.

#### TRANSPORTATION AND STORAGE

- Stop the product, remove the battery pack, and allow the product to cool down. Disconnect the product from the water supply before storing or transporting.
- Remove water from all hoses and the pump, and empty the detergent tank before storing the product.
- Neatly coil the siphon hose, and store it with the power washer.
- Clean all foreign materials from the product. Store it in a cool, frost-free, dry, and well-ventilated place that is inaccessible to children. Do not store the product near the furnace or other sources of heat that could dry out the pump seals. Keep the product

away from corrosive agents, such as garden chemicals and de-icing salts. Do not store the product outdoors.

- For transportation in a vehicle, secure the product against movement or falling to prevent injury to persons or damage to the product.

**⚠ WARNING!** Store the product indoors only. Storing in an area with temperature below 0° will damage the product.

### TRANSPORTING LITHIUM BATTERIES

Transport the battery pack in accordance with local and national provisions and regulations.

Follow all special requirements on packaging and labelling when transporting batteries by a third party. Ensure that no batteries can come in contact with other batteries or conductive materials while in transport by protecting exposed connectors with insulating, non-conductive caps or tape. Do not transport batteries that are cracked or leaking. Check with the forwarding company for further advice.

### MAINTENANCE

- Use only original manufacturer's replacement parts, accessories, and attachments. Failure to do so can cause possible injury, can contribute to poor performance, and may void your warranty.
- Servicing requires extreme care and knowledge and should be performed only by a qualified service technician. Have the product serviced by an authorised service centre only. When servicing, use only original replacement parts.
- Stop the product, remove the battery pack, and allow the product to cool down. Disconnect the product from the water supply:
  - before cleaning the product
  - before maintaining the product
  - before replacing spare parts
- You may make adjustments or repairs described in this manual. For other repairs, contact an authorised service centre.
- Regularly inspect and maintain the product for safe operation. Ensure that the battery compartment is properly assembled, tightly closed, and frequently check for damages. Any part that is damaged should be properly repaired or replaced by an authorised service centre.

- If the product is to be stored unused for a long period, the batteries should be removed.

### SAFETY DEVICES

- Lock-out button
  - The lock-out button locks the switch trigger and prevents unintentional opening of the high-pressure jet.

### SYMBOLS ON THE PRODUCT



Warning



To reduce the risk of injury, read and understand the operator's manual before using the product.



Wear eye and hearing protection.



Kickback. To reduce the risk of injury from kickback, hold the trigger handle securely with both hands when the product is on.



The product is not suitable for connection to the drinking water supply without backflow preventer.



Never point the spray wand to human, animals, the body of the product, power supply, or any electrical appliances.



Regulatory Compliance Mark (RCM). The product meets applicable regulatory requirements.



Waste electrical products should not be disposed of with household waste. Please recycle where facilities exist. Check with your local authority or retailer for recycling advice.

## SYMBOLS IN THIS MANUAL



Parts or accessories sold separately



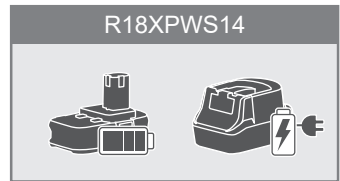
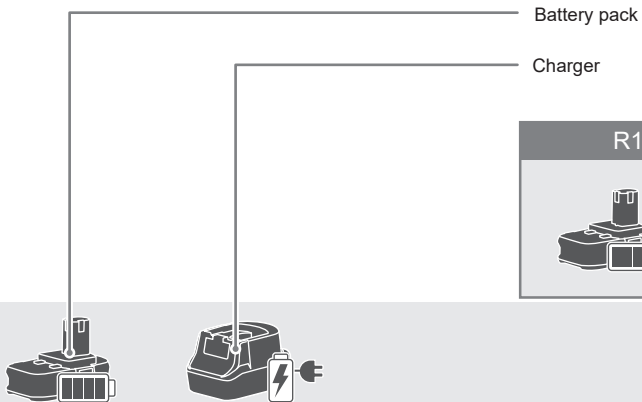
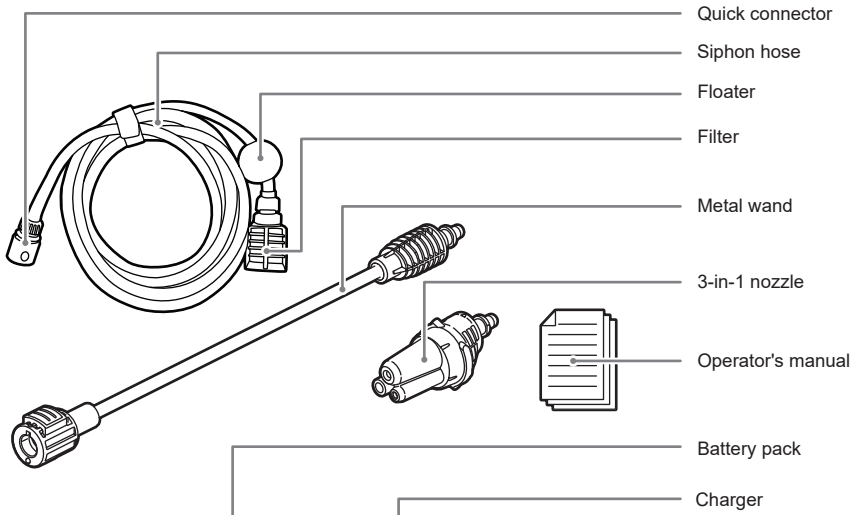
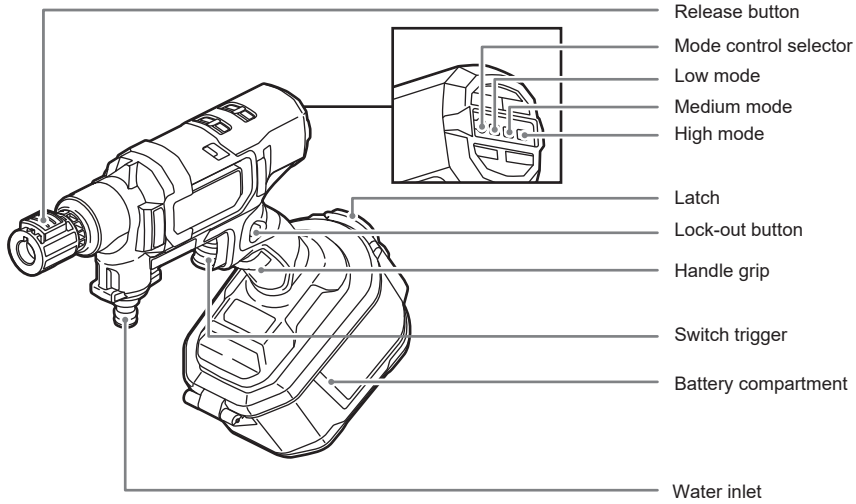
Note

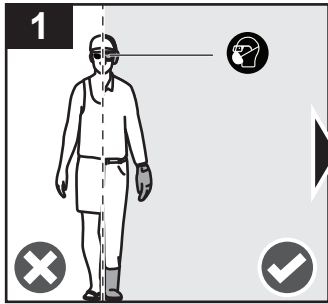


Warning

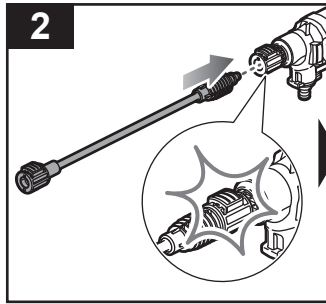


# R18XPWS10

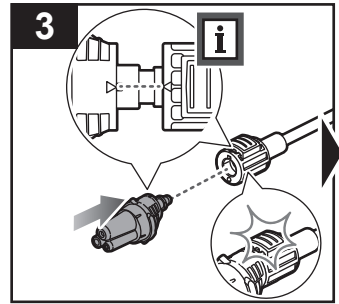




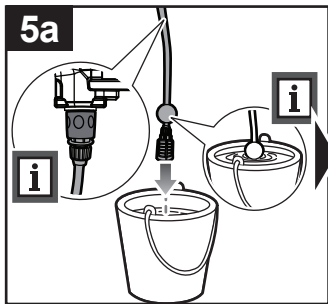
Wear full eye and ear protection, substantial footwear, and long trousers at all times while operating the product. Do not operate the product when barefoot or wearing open sandals.



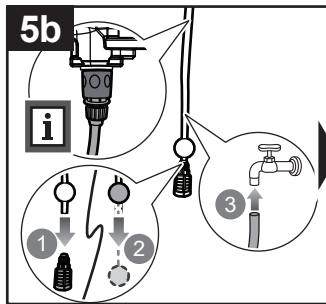
Connect the threaded end of the metal wand to the power washer assembly. Turn the wand clockwise to secure it in place.



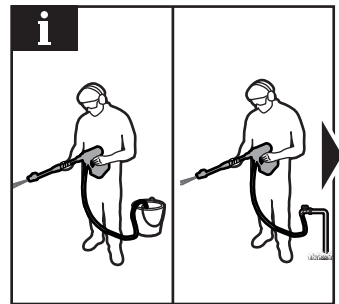
Insert the end of the 3-n-1 nozzle into the connector end of the extension wand and push until it clicks into place.



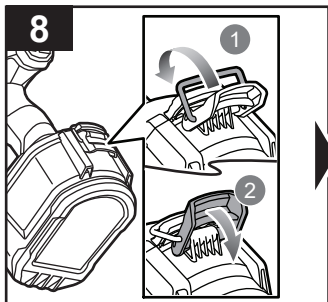
When using a water container, place the other end of the hose with the floater and filter into the water container. **NOTE:** The maximum suction height for the siphon hose is 1.8 m.



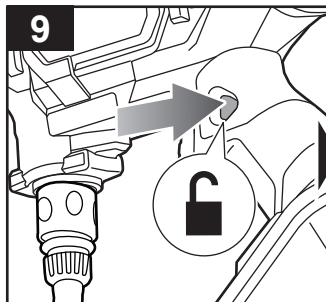
When using tap water, remove the filter and floater, then connect the hose to the tap water.



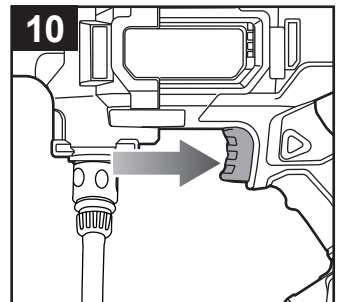
**NOTE:** The water source can either be a water container or tap water.



Flip the latch clip upward and press down the latch to secure the battery compartment cover in place.

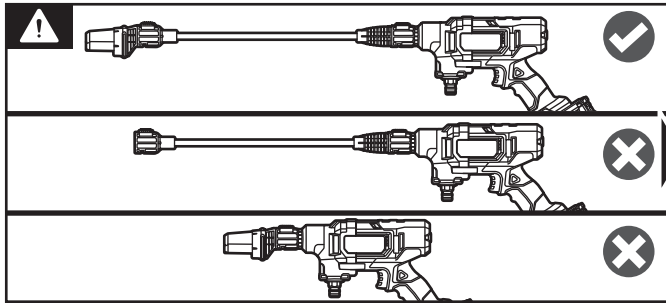


Press the lock-out button to unlock the product.

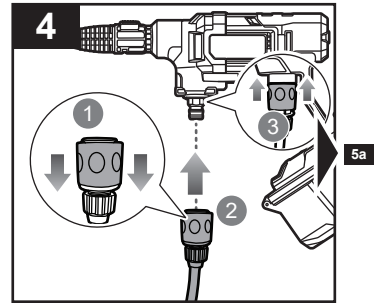


Squeeze the switch trigger to operate the product.

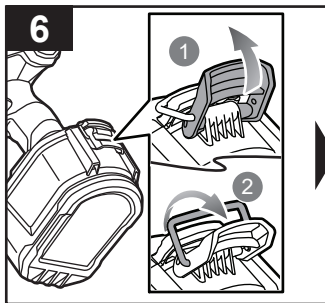




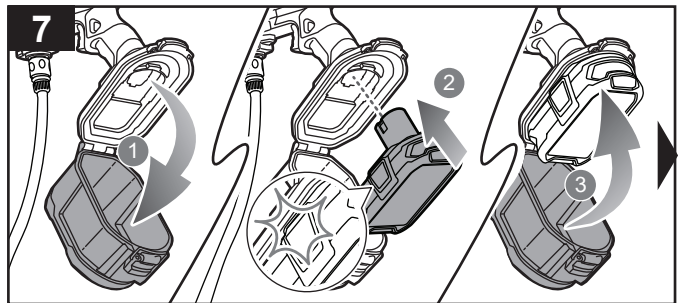
Never use the power washer without connecting the 3-in-1 nozzle and wand.



Pull down the quick connector collar and insert it into the water inlet. Push up the collar to secure the siphon hose in place.

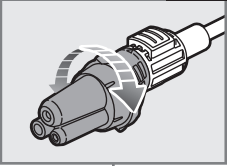


Flip up the latch and unlock the latch clip to access the battery compartment.

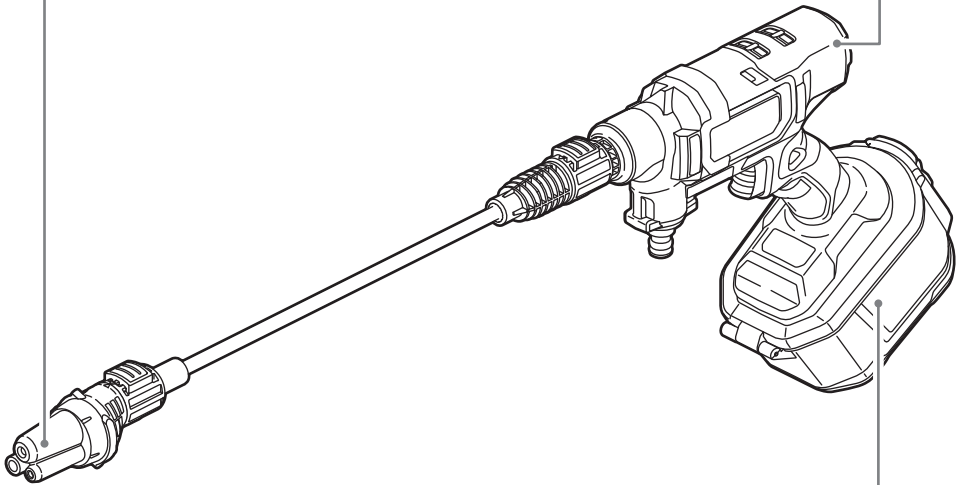
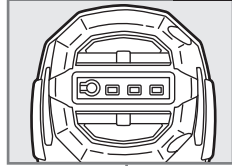


Open the battery compartment and install the battery pack into the housing until it clicks into place. Close the battery compartment to secure the battery pack.

Using the 3-in-1 nozzle **p.11**

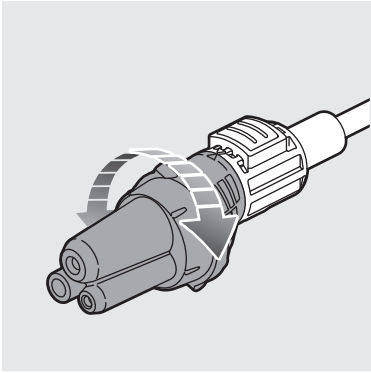


Using the mode control selector **p.13**



Storing the product **p.14**



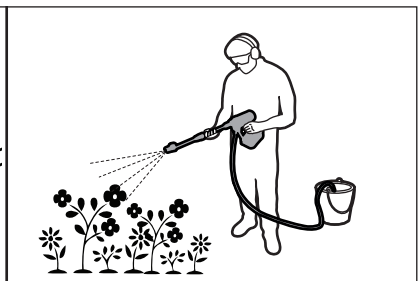
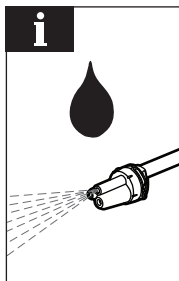
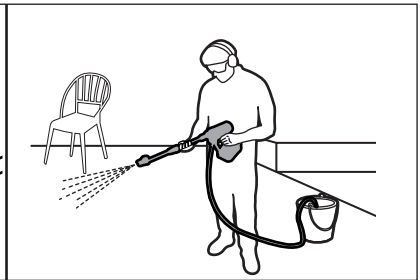
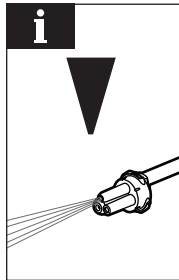
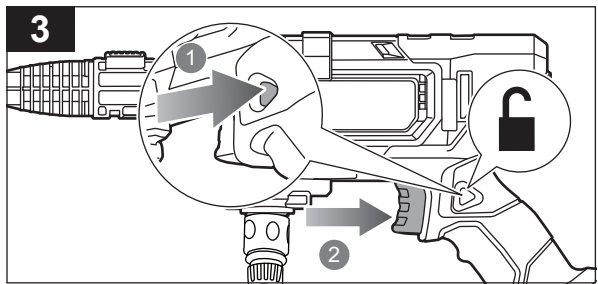
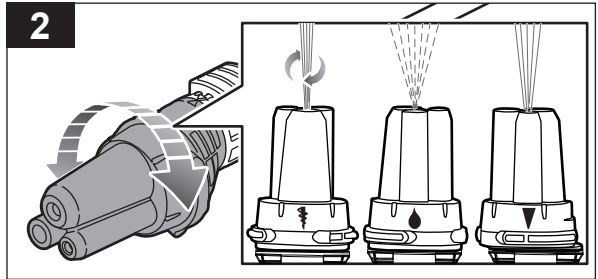
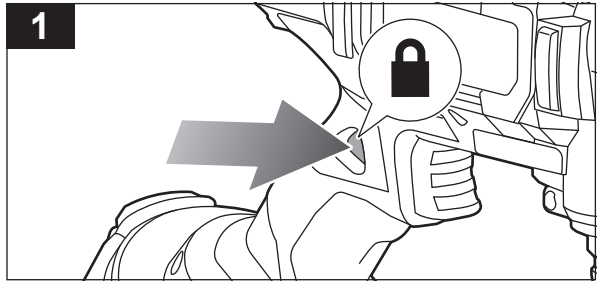


**USING THE 3-IN-1 NOZZLE**

1. Press the lock-out button to lock the product.
2. Turn the 3-in-1 nozzle clockwise or counterclockwise to select the spray pattern.
3. Press the lock-out button to unlock the product, and squeeze the switch trigger to start operating the product.

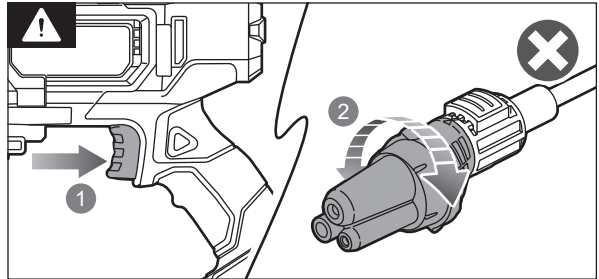
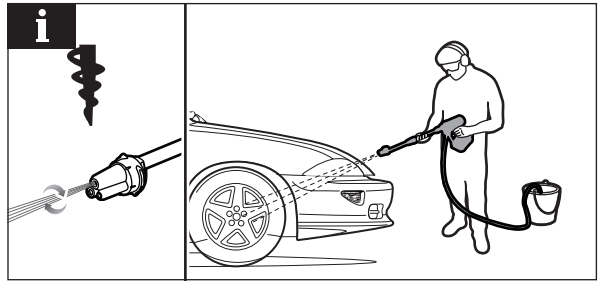
**NOTE:** Use the 15° setting for cleaning or washing wide areas or surfaces.

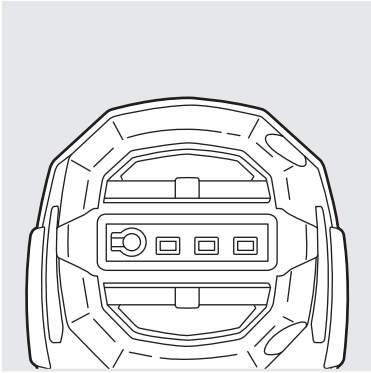
**NOTE:** Use the rinse setting for watering applications.



**NOTE:** Use the turbo setting for cleaning or washing stubborn dirt or surfaces.

**WARNING:** Do not squeeze the switch trigger while changing nozzle spray patterns.



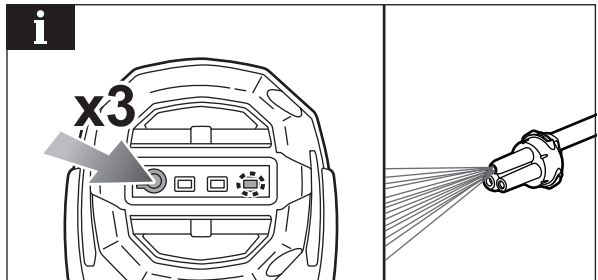
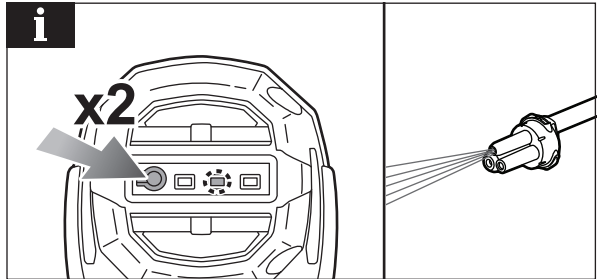
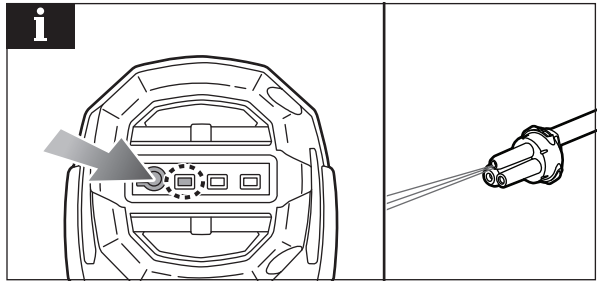


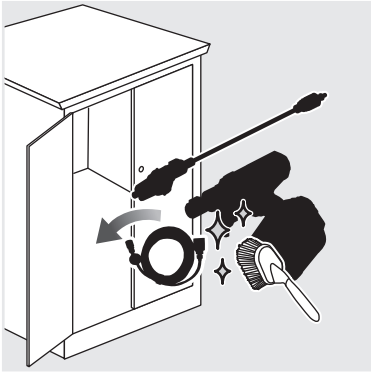
### USING THE MODE CONTROL SELECTOR

**NOTE:** The left-most light indicates low mode and will light up when the mode control selector is pressed once.

**NOTE:** The middle light indicates medium mode and will light up when the mode control selector is pressed twice.

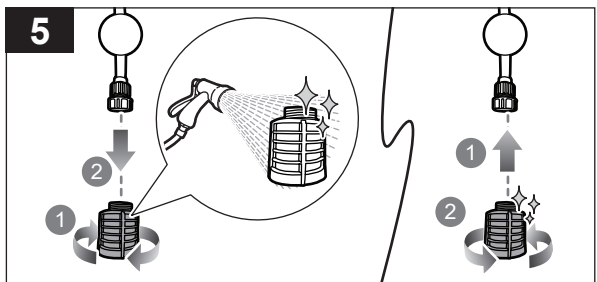
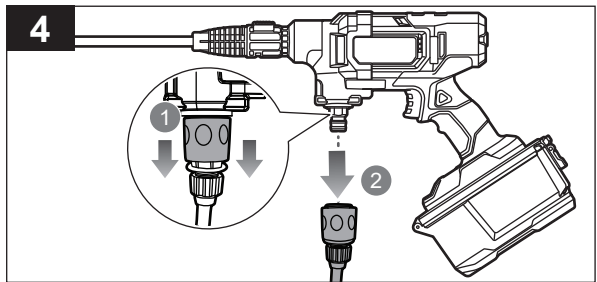
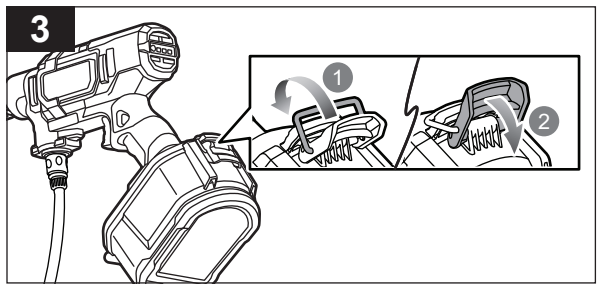
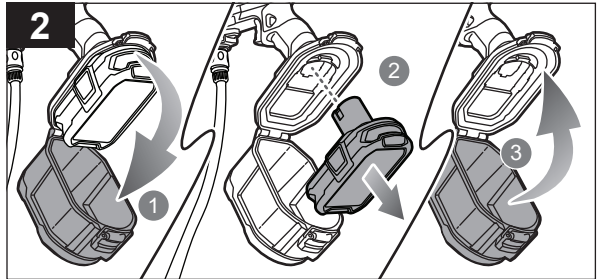
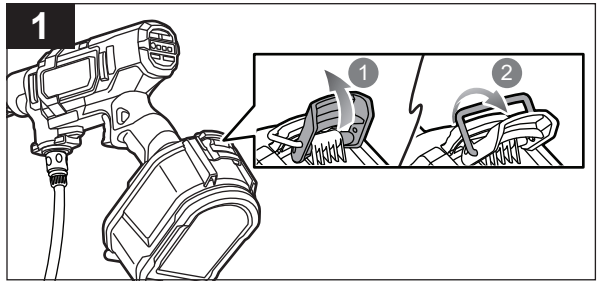
**NOTE:** The right-most light indicates high mode and will light up when the mode control selector is pressed thrice.





### STORING THE PRODUCT

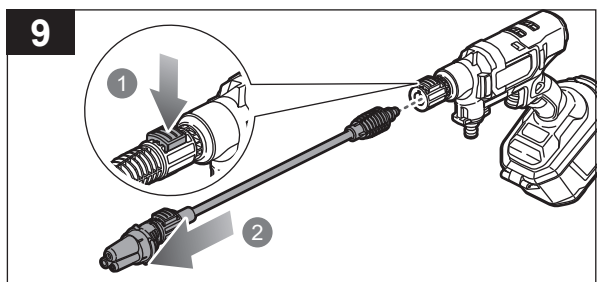
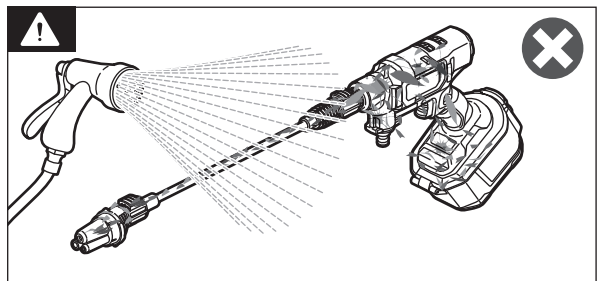
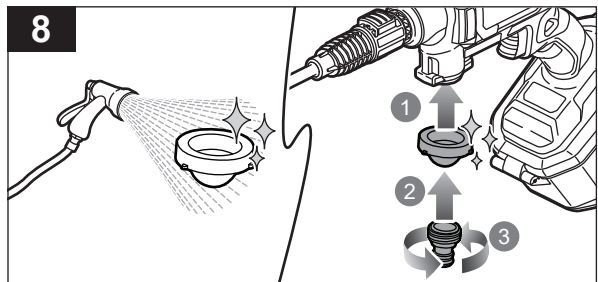
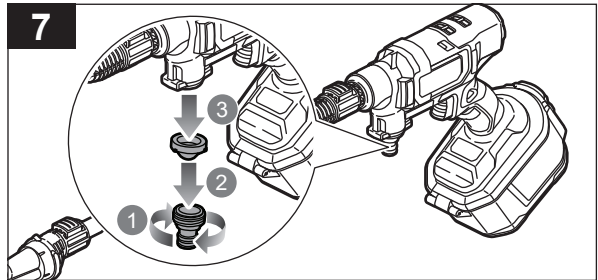
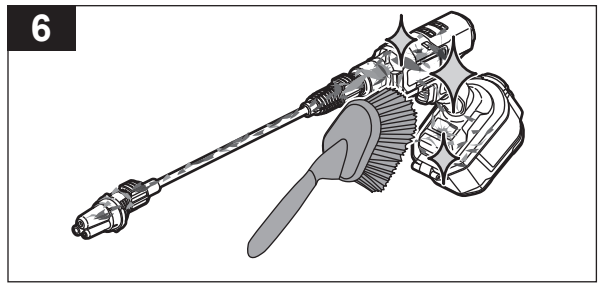
1. Flip up the latch and unlock the latch clip to access the battery compartment.
2. Open the battery compartment and press the latches on the sides of the battery pack to remove the battery pack. Close the battery compartment.
3. Flip the latch clip upward and press the latch down.
4. Pull down the quick connector collar, and disconnect the siphon hose from the water inlet.
5. Turn the filter clockwise and disconnect it from the siphon hose. After cleaning the filter, insert and turn the filter clockwise into the siphon hose.



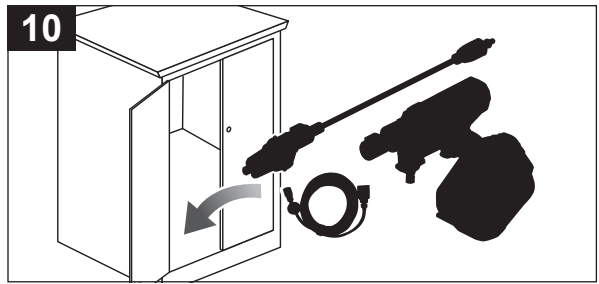
6. Clean the product with a brush.
7. Turn the water inlet adaptor counterclockwise to loosen and access the filter.
8. Use water to clean the filter. Install the o-ring back into the product and turn the water inlet adaptor clockwise to secure it in place.

**WARNING:** Do not use water to clean the product.

9. Press the release button and pull the extension wand to disconnect it from the power washer.



10. Store the product in a cool, dry, and well-ventilated place that is inaccessible to children and well away from sources of ignition.





## PRODUCT SPECIFICATIONS

Cordless power washer	
Model	R18XPWS10
Rated voltage	18V d.c.
Weight	1.93 kg
Maximum pressure	55 bar (800 psi)
Rated pressure (High mode)	41 bar (600 psi)
Rated pressure (Medium mode)	20 bar (290 psi)
Rated pressure (Low mode)	7 bar (100 psi)
Dilution ratio	1:20
Rated flow	160 L/hr
Maximum flow	270 L/hr
Maximum inlet water pressure	10 bar (145 psi)
Maximum suction height	1.8 m
Minimum garden hose inner diameter	8 mm
Sound pressure level ( $L_{pA}$ ) (in accordance with EN 60335-2-79)	69 dB(A)
Uncertainty	3 dB
Sound power level ( $L_{WA}$ ) (in accordance with EN 60335-2-79)	83 dB(A)
Uncertainty	3 dB
Vibration value (in accordance with EN 60335-2-79)	<2.5 m/s <sup>2</sup>
Uncertainty	1.25 m/s <sup>2</sup>

## BATTERY AND CHARGER

Model	R18XPWS10	R18XPWS14
Battery pack	-	RB1840C
Charger	-	RC18120
Compatible battery packs	RB1815C, RB1820C, RB1825C, RB1840C, RB1840X, RB1850C, RB1850X, RB1860X, RB18L15, RB18L15A, RB18L15B, RB18L20, RB18L20A, RB18L25, RB18L25A, RB18L40, RB18L40A, RB18L50, RB18L50A, RB18L13, RB18L60A, RB18L90A	

## ACCESSORIES

REZ1	Wheel brush
REZ2	Detergent bottle
REZ3	Straight brush
REZ4	Bottle adapter
REZ5	7 Spray nozzle

REZ6

Pivoting adapter

REZ7

Nozzle kit

**⚠ WARNING!** The declared vibration total values and the declared noise emission values given in this instruction manual have been measured in accordance with a standardised test and may be used to compare one tool with another. They may be used for a preliminary assessment of exposure.

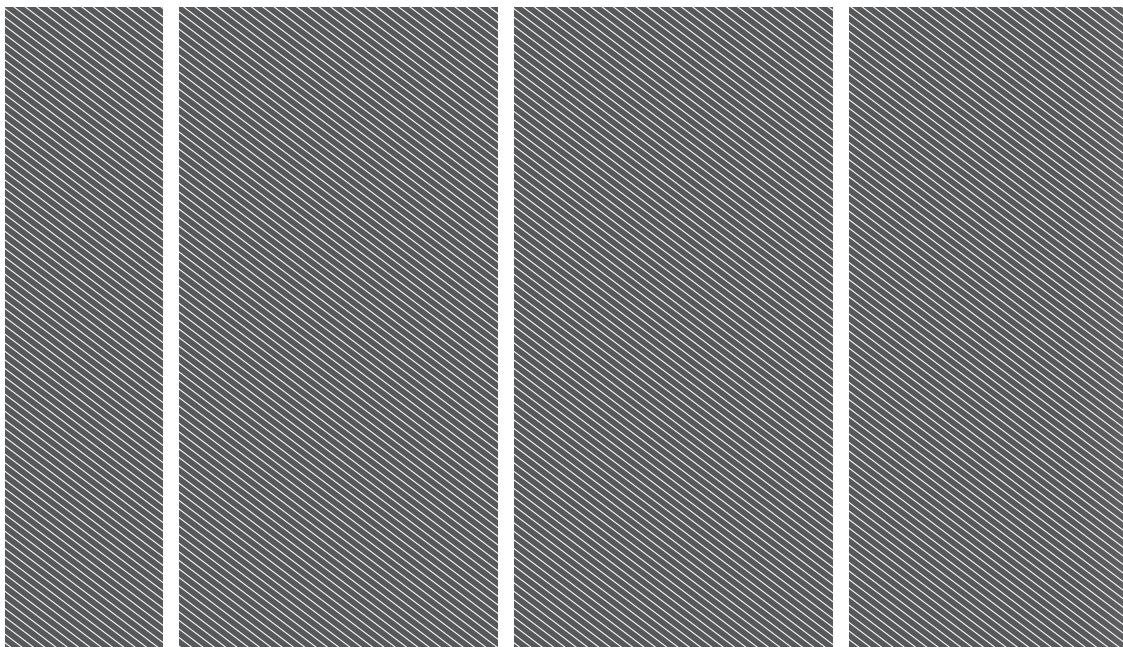
The declared vibration and noise emission values represent the main applications of the tool. However, if the tool is used for different applications, used with different accessories, or poorly maintained, the vibration and noise emission may differ. These conditions may significantly increase the exposure levels over the total working period.

An estimation of the level of exposure to vibration and noise should take into account the times when the tool is turned off or when it is running idle. These conditions may significantly reduce the exposure level over the total working period.

Identify additional safety measures to protect the operator from the effects of vibration and noise, such as maintaining the tool and the accessories, keeping the hands warm (in case of vibration), and organising work patterns.







Imported by:

**Techtronic Industries Australia Pty Ltd**  
31 Gilby Road, Mount Waverley, VIC 3149  
Melbourne, Australia

**Techtronic Industries N.Z. Limited**  
Unit C, 70 Business Parade South,  
Highbrook, Auckland 2013, New Zealand

*RYOBI is a trade mark of Ryobi Limited, and is used under license.*

961479066-01

