



ORIGINAL INSTRUCTIONS
Mitre Saw Stand

AMS03G



Important!

It is essential that you read the instructions in this manual before operating this machine.

Subject to technical modifications.



SAFETY WARNINGS

⚠ WARNING

Safe operation of this accessory requires that you read and understand this operator's manual, the operator's manual for the saw and all labels affixed to the tool.

- **This appliance is not intended for use by persons (including children) with reduced physical, sensory or mental capabilities, or lack of experience and knowledge, unless they have been given supervision or instruction concerning use of the appliance by a person responsible for their safety.** Children should be supervised to ensure that they do not play with the appliance.
- **Know your accessory.** Read the operator's manual carefully. Learn its applications and limitations, as well as the specific potential hazards related to this accessory.
- **Do not connect to power supply until assembly is complete.** Failure to comply could result in accidental starting and possible serious personal injury.
- **If any parts are missing, do not operate this tool until the missing parts are replaced.**
- **This stand is designed for use with mitre saws and slide mitre saws with a blade diameter not larger than 305 mm.**
- **Maximum weight of the mitre saw and workpiece together must not exceed 181 kg.**
- **Do not modify or use this stand for any purpose for which it is not intended.**
- **Always ensure the mitre saw used is mounted securely and is stable before plugging in the mitre saw.**
- **This stand is designed to be used on a flat, stable surface.** Do not use the product on an uneven or unstable surface. Be sure to allow enough room to handle and properly support the workpiece.
- **Follow the tool mounting instructions carefully, and ensure the tool is fastened securely.**
- **To reduce the risk of injury from the mitre saw moving or falling off the stand, always check that all mounting bolts and nuts are securely tightened before moving the stand or using the tool.**
- **Do not lift any part of the mitre saw that is attached to the stand.**
- **Do not climb, sit or stand on this stand.**
- **Do not use any attachments or accessories not recommended by the manufacturer of this tool.** The use of attachments or accessories not recommended can result in serious personal injury.
- **When servicing, use only identical Ryobi replacement parts.** Use of any other parts may create a hazard or cause product damage.
- **Do not at any time let brake fluids, gasoline,**

petroleum-based products or penetrating oils come in contact with plastic parts. Chemicals can damage, weaken or destroy plastic which may result in serious personal injury.

- **Save these instructions.** Refer to them frequently and use them to instruct others who may use this accessory. If you loan someone this accessory, loan them these instructions also to prevent misuse of the product and possible injury.

SYMBOL



Wear eye protection



Avoid contact with any pinch point

ICONS IN THIS MANUAL



Unpacking



Getting started



Safety



Operation



Maintenance



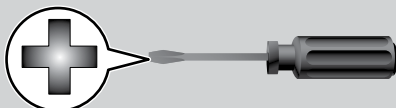
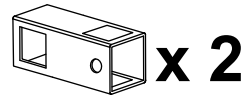
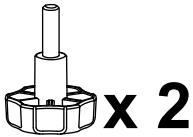
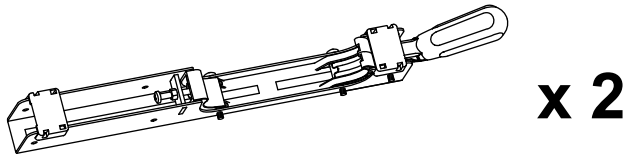
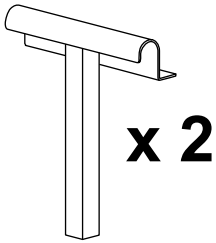
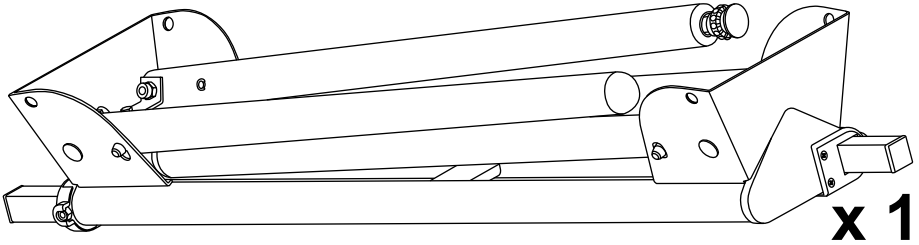
Lock

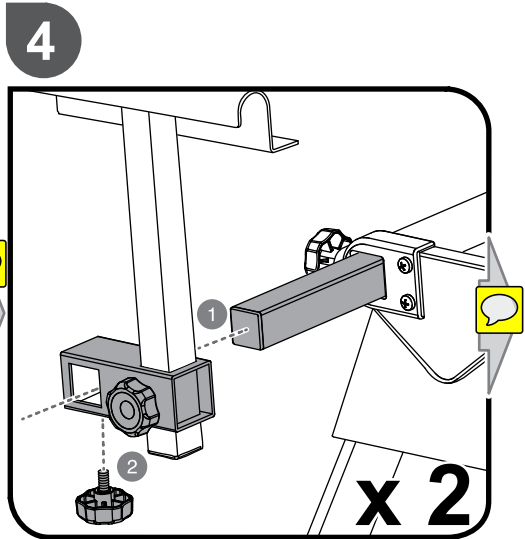
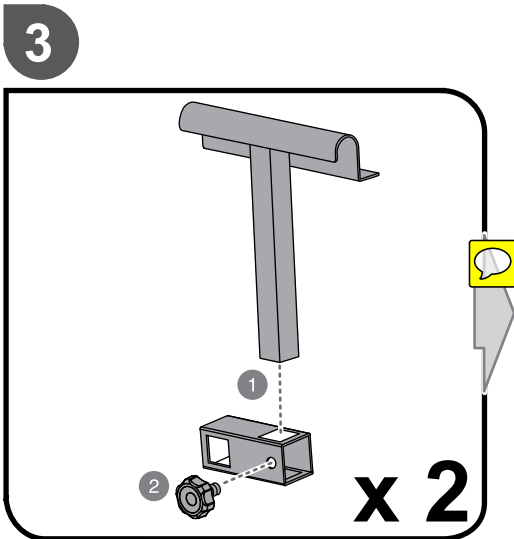
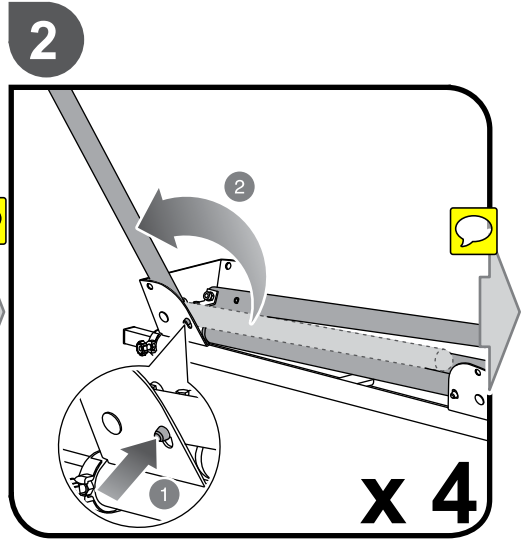
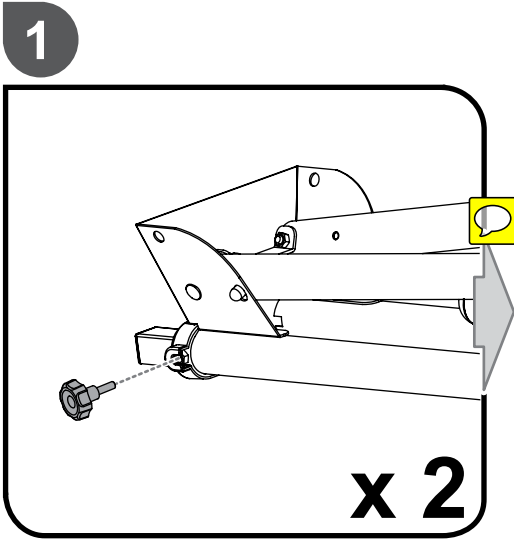


Unlock



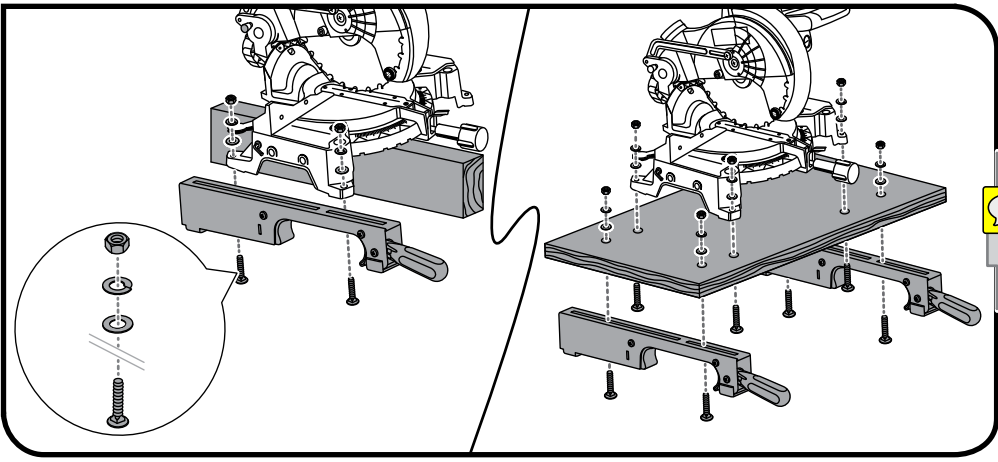
Parts or accessories sold separately



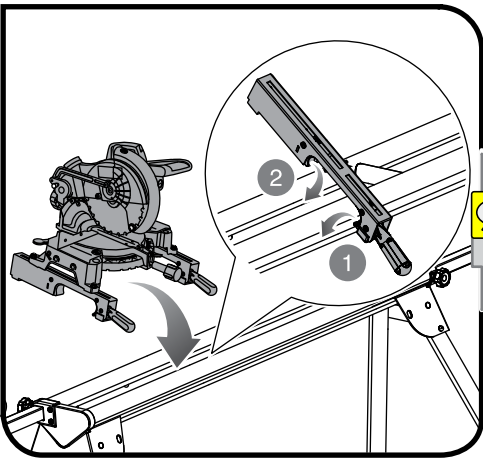




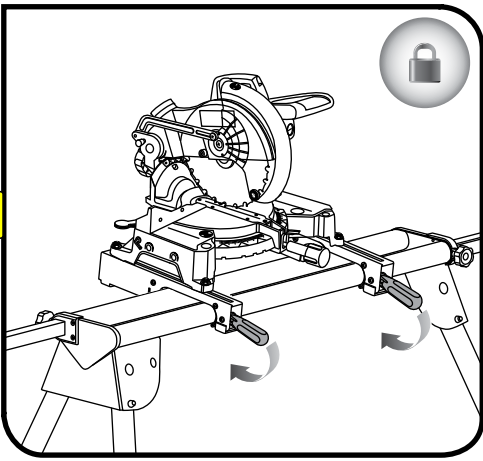
5

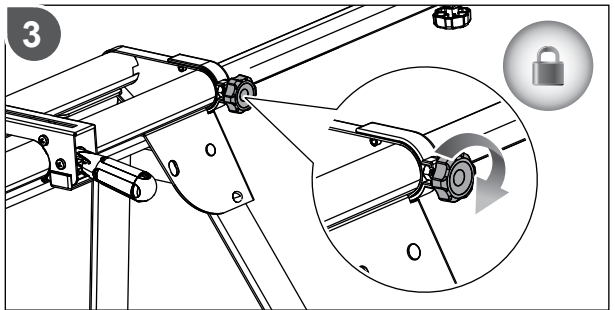
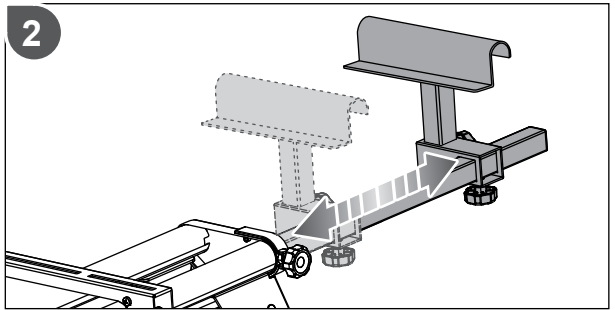
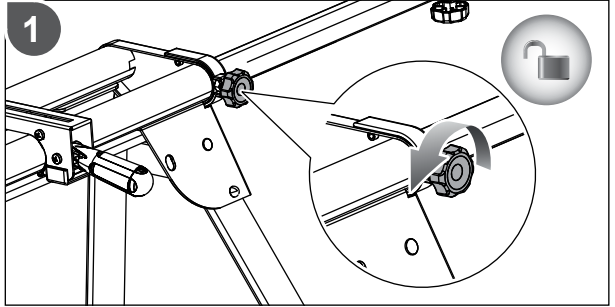
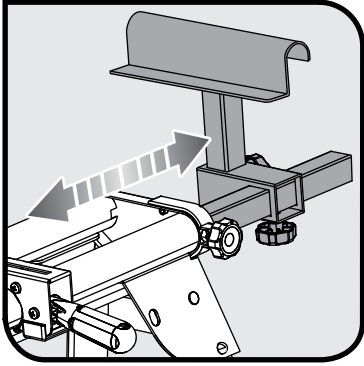


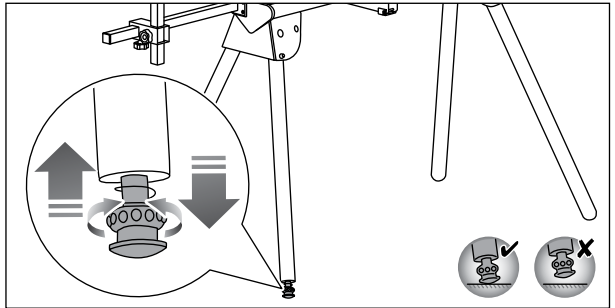
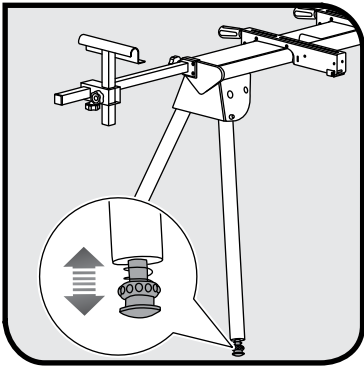
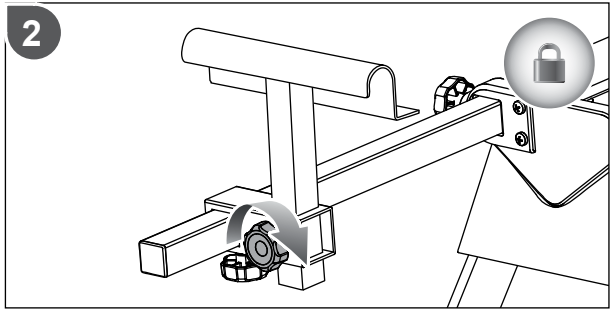
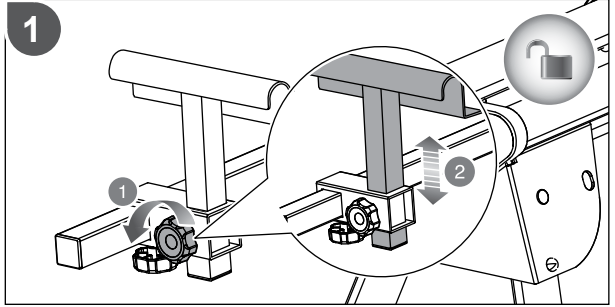
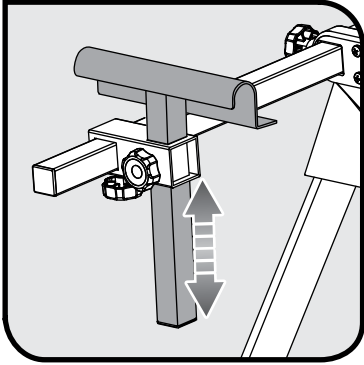
6

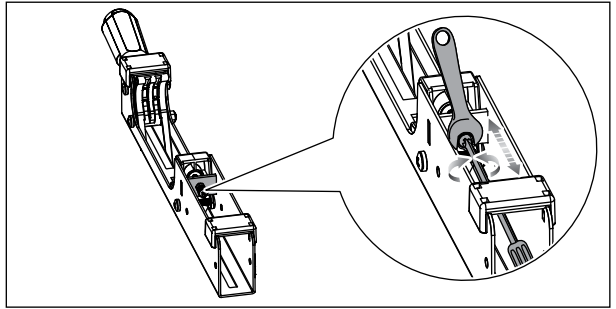
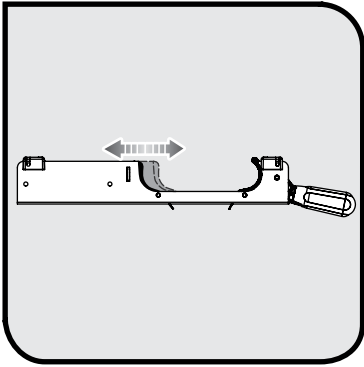


7









PRODUCT SPECIFICATIONS

Net weight	15.9 kg
------------	---------

Height	860 mm
--------	--------

Length	1080 ~ 2180 mm
--------	----------------

Max loading

Table	181 kg
-------	--------

Extension support	25 kg
-------------------	-------

