





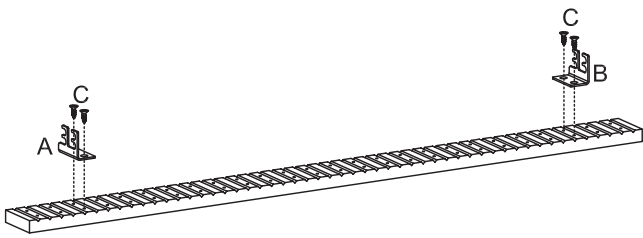
Care Instructions:

We recommend to wipe over with a dry micro-fibre cloth to remove any dust.
Avoid using a damp or wet cloth and any cleaning chemicals as this may cause damage to the surface.

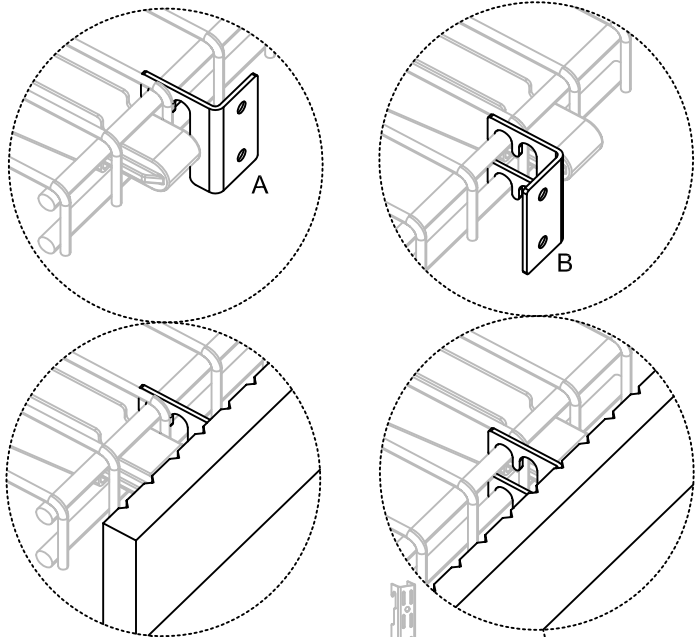
PARTS LIST

<p>A</p>  <p>x1pc</p>	<p>B</p>  <p>x1pc</p>	<p>C</p>  <p>x4pcs</p>	<p>D</p>  <p>x1pc</p>
---	---	--	---

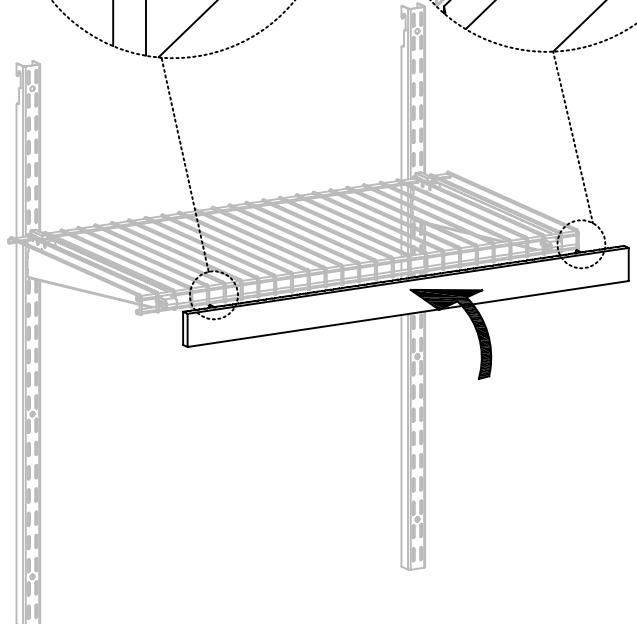
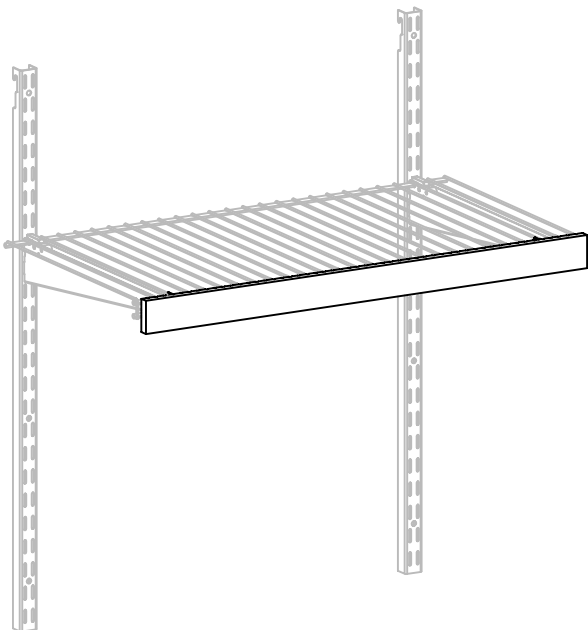
STEP 1



STEP 2

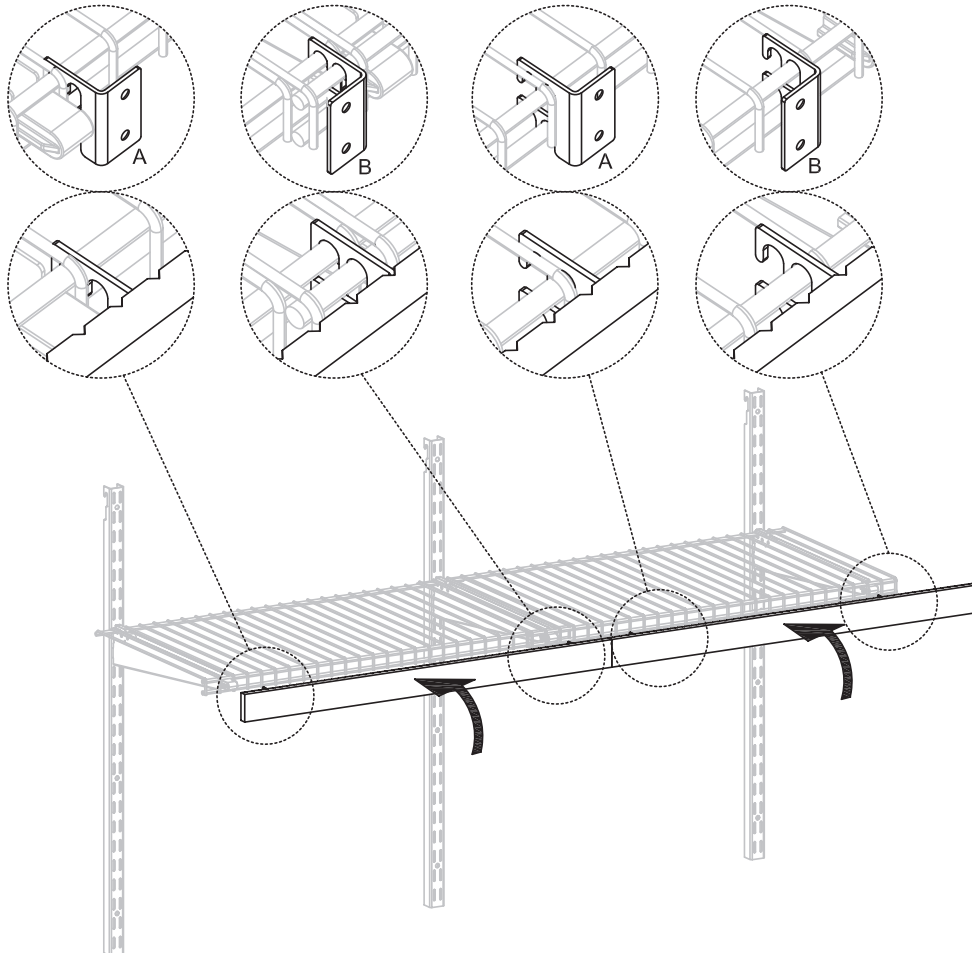


STEP 3



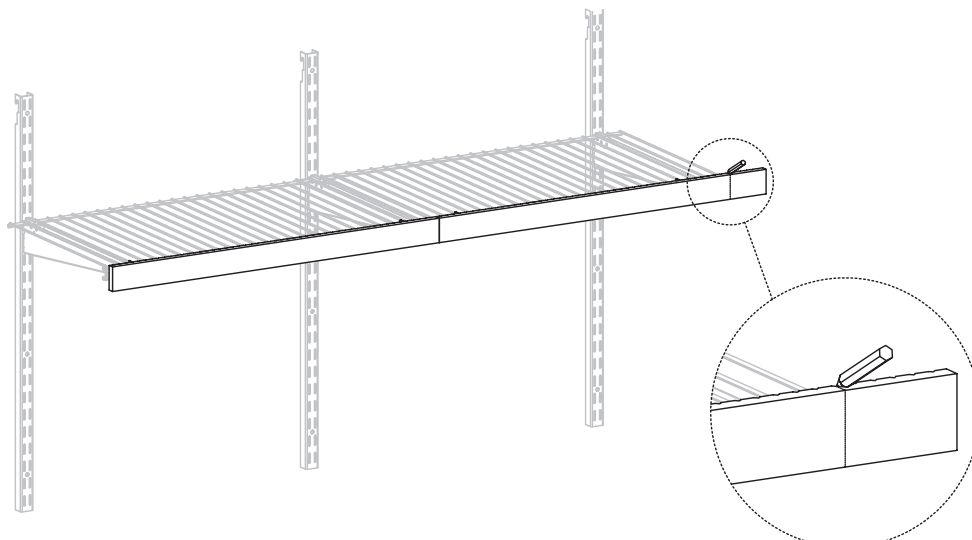
STEP 4

If installing two Shelf Fascias side by side, follow the steps below:

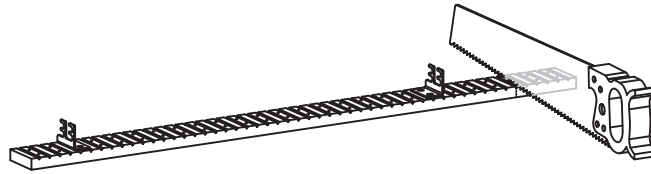


STEP 5

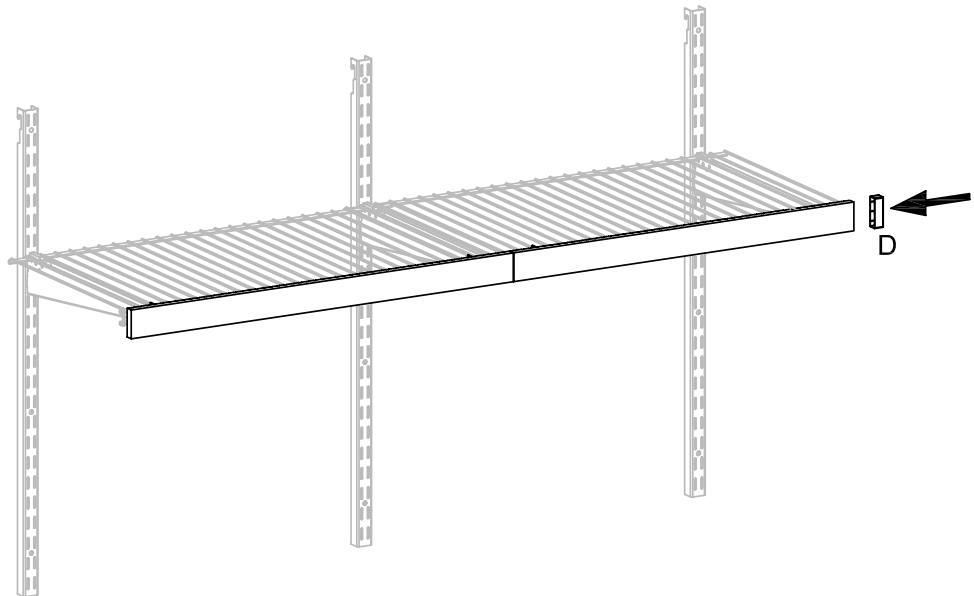
Mark the cutting position with a pen along the inner groove.



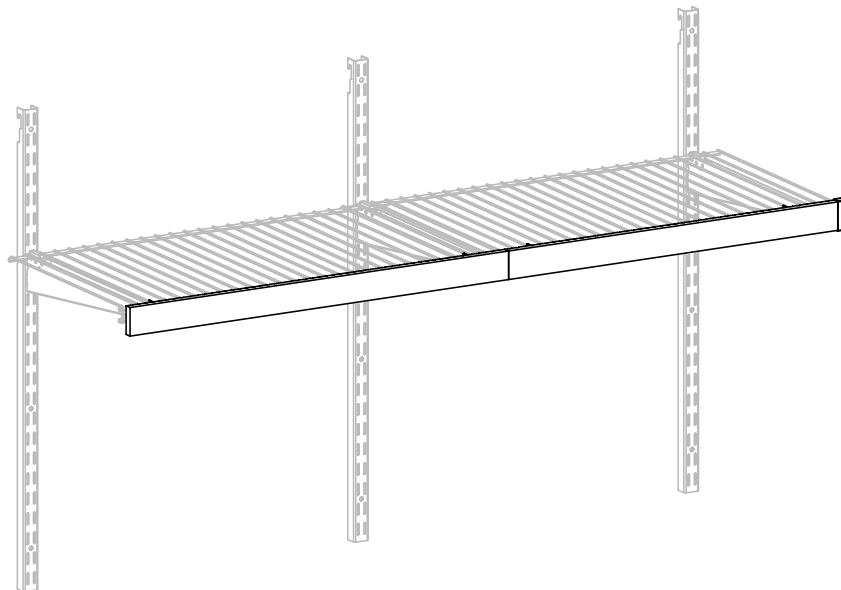
STEP 6



STEP 7



STEP 8



flexistorage.com.au
flexistorage.co.nz

MADE IN CHINA

Distributed by:

Visy Retail Services Pty Ltd (AU): 1300 734 714

Visy Board Limited (NZ): 0800 443 058