



18V LITHIUM ION

CORDLESS COMPACT JIGSAW

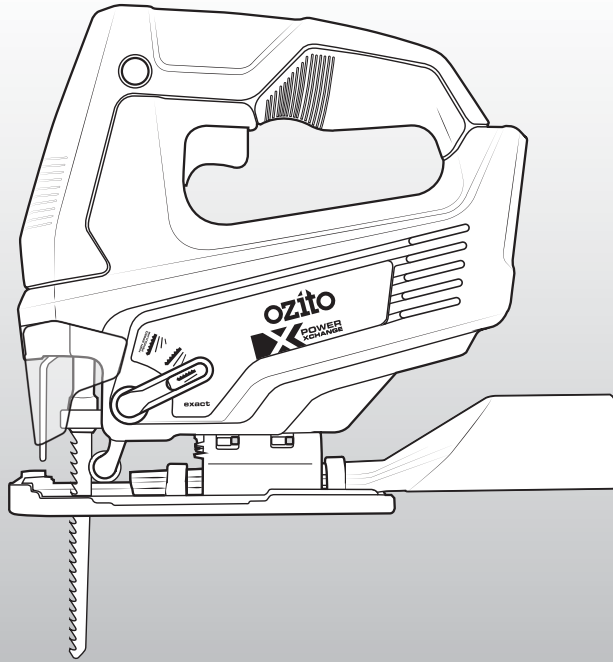
INSTRUCTION MANUAL

SPECIFICATIONS

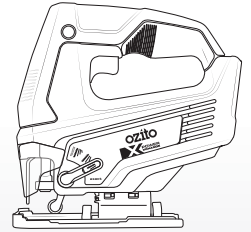
Input:	18V
No Load Speed:	2,700spm
Stroke Height:	20mm
Cutting Depth:	80mm (Timber) 12mm (Plastic) 10mm (Metal)
Bevel Angle:	0-45° (Left & Right)
Blade Type:	T-Shank
Adaptor Size:	Ø36mm
Weight:	1.64kg

ozito.com.au

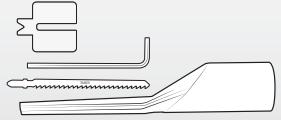
5 YEAR
REPLACEMENT WARRANTY



STANDARD EQUIPMENT



Cordless Compact Jigsaw



Splinter Guard (fitted), Hex Key, Timber Jigsaw Blade & Dust Extraction Adaptor

PXCJS-018

WARRANTY

IN ORDER TO MAKE A CLAIM UNDER THIS WARRANTY YOU MUST RETURN THE PRODUCT TO YOUR NEAREST BUNNINGS WAREHOUSE WITH YOUR BUNNINGS REGISTER RECEIPT. PRIOR TO RETURNING YOUR PRODUCT FOR WARRANTY PLEASE TELEPHONE OUR CUSTOMER SERVICE HELPLINE:

Australia 1800 069 486
New Zealand 0508 069 486

TO ENSURE A SPEEDY RESPONSE PLEASE HAVE THE MODEL NUMBER AND DATE OF PURCHASE AVAILABLE. A CUSTOMER SERVICE REPRESENTATIVE WILL TAKE YOUR CALL AND ANSWER ANY QUESTIONS YOU MAY HAVE RELATING TO THE WARRANTY POLICY OR PROCEDURE.

WARNING

The following actions will result in the warranty being void.

- If the tool has been operated on a supply voltage other than that specified on the tool.
- If the tool shows signs of damage or defects caused by or resulting from abuse, accidents or alterations.
- Failure to perform maintenance as set out within the instruction manual.
- If the tool is disassembled or tampered with in any way.

The benefits provided under this warranty are in addition to other rights and remedies which are available to you at law.

Our goods come with guarantees that cannot be excluded at law. You are entitled to a replacement or refund for a major failure and for compensation for any other reasonably foreseeable loss or damage. You are also entitled to have the goods repaired or replaced if the goods fail to be of acceptable quality and the failure does not amount to a major failure.

Generally you will be responsible for all costs associated with a claim under this warranty, however, where you have suffered any additional direct loss as a result of a defective product you may be able to claim such expenses by contacting our customer service helpline above.

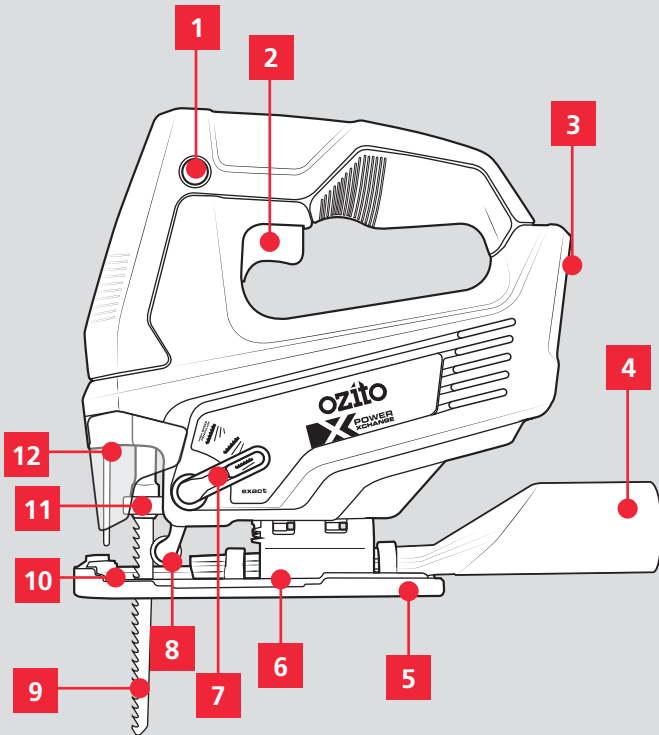
5 YEAR REPLACEMENT WARRANTY

Your Product is guaranteed for a period of 60 months from the original date of purchase and is intended for DIY (Do It Yourself) use only. If a product is defective it will be replaced in accordance with the terms of this warranty. **Lithium Ion batteries and chargers are covered by a 36 month warranty** and are excluded from the warranty extension. Warranty excludes consumable parts.

KNOW YOUR PRODUCT

CORDLESS COMPACT JIGSAW

- | | |
|----------------------------|---------------------------|
| 1. Safety Lock-Off Button | 7. Pendulum Setting Lever |
| 2. On/Off Trigger | 8. Guide Roller |
| 3. Battery Seating | 9. Timber T-Shank Blade |
| 4. Dust Extraction Adaptor | 10. Splinter Guard |
| 5. Base Plate Shoe | 11. Tool-Free Blade Lock |
| 6. Base Plate | 12. Blade Guard |



BATTERY & CHARGER

This tool is compatible with all batteries & chargers from the Ozito Power X Change range.

ONLINE MANUAL

Scan this QR Code with your mobile device to take you to the online manual.

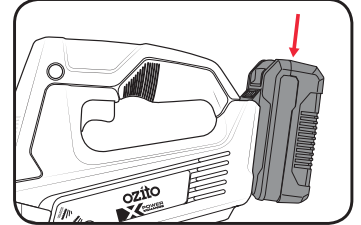


SETUP & PREPARATION

1. FITTING THE BATTERY

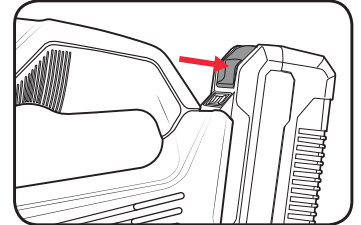
Installing The Battery Pack

1. Slide the battery into the tool base until it clicks into place.

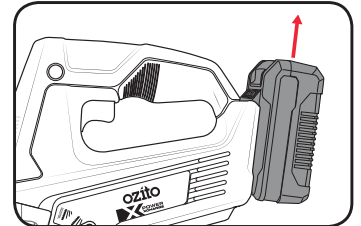


Removing The Battery Pack

1. Hold down the battery release button



2. Slide the battery out.



5 YEAR
REPLACEMENT WARRANTY

2. FITTING ACCESSORIES

WARNING! ENSURE THE TOOL IS SWITCHED OFF AND THE BATTERY IS REMOVED BEFORE PERFORMING ANY OF THE FOLLOWING TASKS.

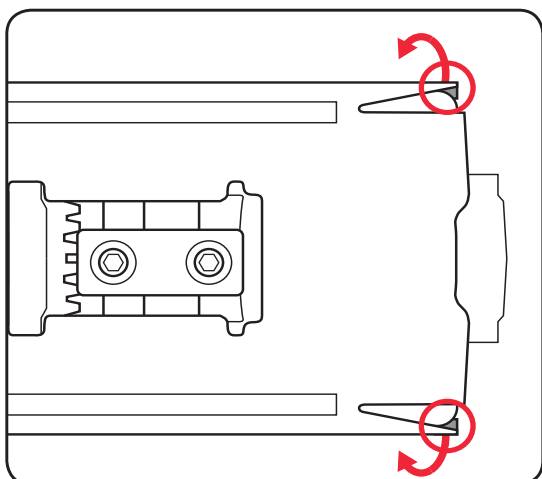
WARNING! ENSURE THE BLADE IS REMOVED BEFORE INSTALLING OR REMOVING THE BASE PLATE SHOE.

Using The Base Plate Shoe

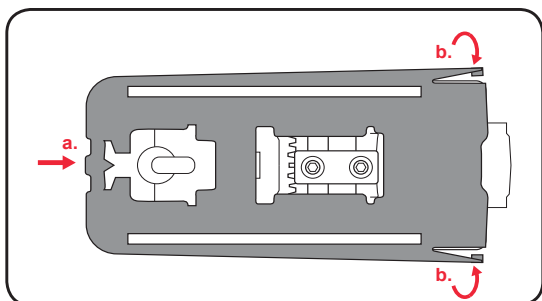
The base plate shoe comes pre-assembled on the unit and helps to protect the workpiece from scratches during cutting. It should be used when cutting soft materials or materials prone to abrasions.

The base plate shoe must be removed in order to use the splinter guard effectively.

1. To remove the base plate shoe, gently flex the tabs on the back end of the shoe to release it and then slide it off the base plate.



2. To re-attach the shoe, slide the front end of the base plate under the tabs at the front of the shoe, and then press the back end of the shoe into place.



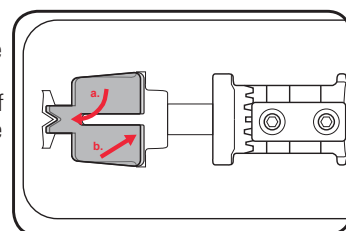
WARNING! ENSURE THE BLADE IS REMOVED BEFORE INSTALLING OR REMOVING THE SPLINTER GUARD.

Using The Splinter Guard

The splinter guard also comes pre-assembled on the unit and prevents the blade from tearing up the edges of the workpiece during use. It is particularly recommended for use when making curved cuts or when cutting thin, flexible materials.

Note: The base plate shoe must be removed when using the splinter guard.

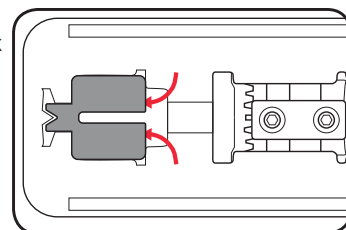
1. To attach the splinter guard, slide the front edge of the guard into the channel on the bottom side of the base plate and then press the back end of the guard into place.



2. Ensure the splinter guard is flush with the base plate.

WARNING! DO NOT USE THE SPLINTER GUARD WHEN MAKING BEVEL CUTS WITH THE TOOL.

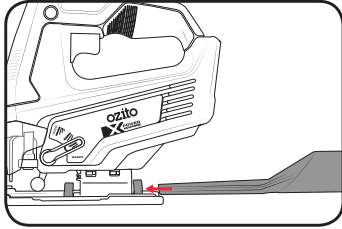
3. To remove the guard, lift the back end of the splinter guard free of the base plate and then slide it out.



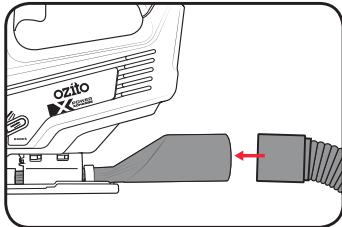
Using The Dust Extraction Adaptor

The dust extraction adaptor can be used to connect a vacuum to the tool. This will allow you to remove dust and material chips while cutting. It can also be removed if it gets in the way.

1. Install the dust extraction adaptor by pushing it into the channel on the back of the base plate.



2. A Ø36mm vacuum hose can then be attached to the free end of the adaptor.



3. To remove the adaptor, simply pull it free of the channels on the base plate of the tool.

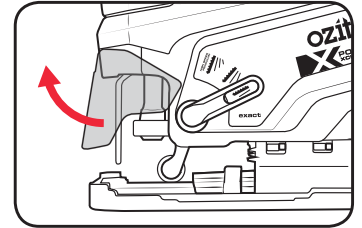
3. FITTING THE BLADE



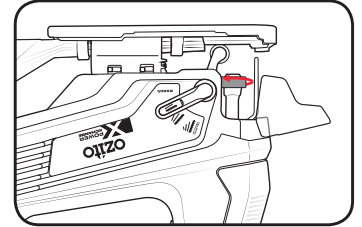
WARNING! ENSURE THE TOOL IS SWITCHED OFF AND THE BATTERY IS REMOVED BEFORE PERFORMING ANY OF THE FOLLOWING TASKS.

Installing A Blade

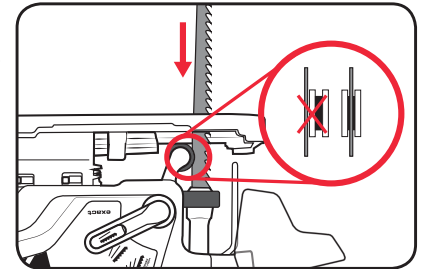
1. Flip the blade guard out of the way.



2. While holding the tool upside down, press and hold the tab on the blade lock clockwise.



3. With the blade teeth facing towards the front of the tool, fully insert the blade into the lock.



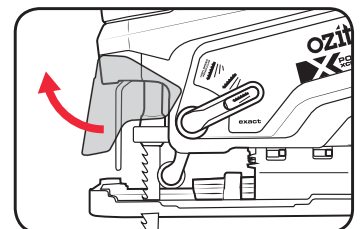
Note: Ensure that the blade is sitting in between the guide rollers.

4. Release the blade lock and pull on the blade to ensure it is fully secured.

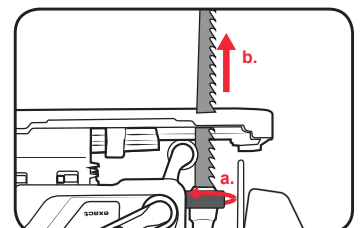
5. Flip the blade guard back into place before use.

Removing The Blade

1. Flip the blade guard out of the way.



2. While holding the tool upside down, press and hold the tab on the blade lock clockwise.



3. Pull the blade out of the blade lock to remove it.

4. Flip the blade guard back into place before use.

OPERATION

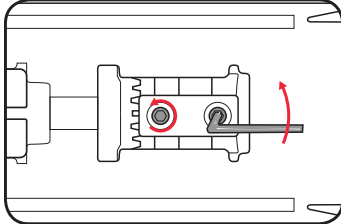
4. CONTROLS

WARNING! ENSURE THE TOOL IS SWITCHED OFF AND THE BATTERY IS REMOVED BEFORE PERFORMING ANY OF THE FOLLOWING TASKS.

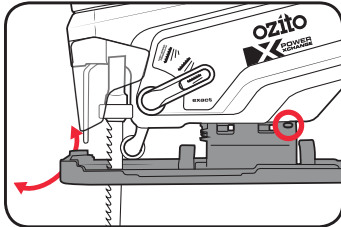
Adjusting The Base Plate for Bevel Cuts

1. Remove the dust extraction adaptor if it is in place.

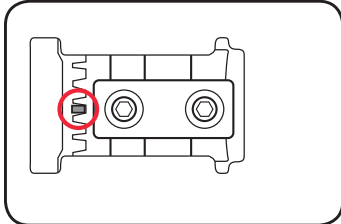
2. Use a hex key to loosen (but not fully remove) the two bolts on the underside of the tool.



3. Rotate the base plate until the desired bevel angle is achieved. There are angle measurements marked on the outer ring of the base plate channel as a guide.



Note: Ensure the teeth are securely engaged against the stopper.



WARNING! FAILURE TO SECURE THE BASE PLATE ACCORDING TO THESE INSTRUCTIONS MAY LEAD TO SERIOUS INJURY.

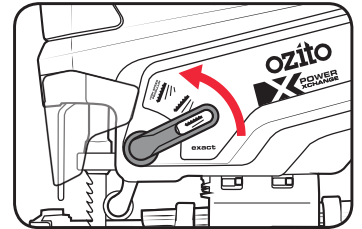
4. Re-tighten the bolts to lock the base plate in place.

WARNING! DO NOT USE THE SPLINTER GUARD WHEN MAKING BEVEL CUTS WITH THE TOOL.




Adjusting The Pendulum Cutting Setting

The pendulum cutting feature on the tool allows the blade to cut faster and more efficiently through thicker and/or softer materials. A rough guide on choosing the correct setting is provided in the table below.

1. To increase the pendulum cutting action, rotate the pendulum setting lever anti-clockwise.



2. To decrease the pendulum cutting action, rotate the lever clockwise to a lower setting.

1 - exact	No Pendulum Action for fine clean cuts on thin or hard materials
2 - 	Small Pendulum Action for faster cutting on hard materials
3 - 	Medium Pendulum Action for faster cutting on softer materials
4 - 	Large Pendulum Action for fast cutting along the grain on soft materials.

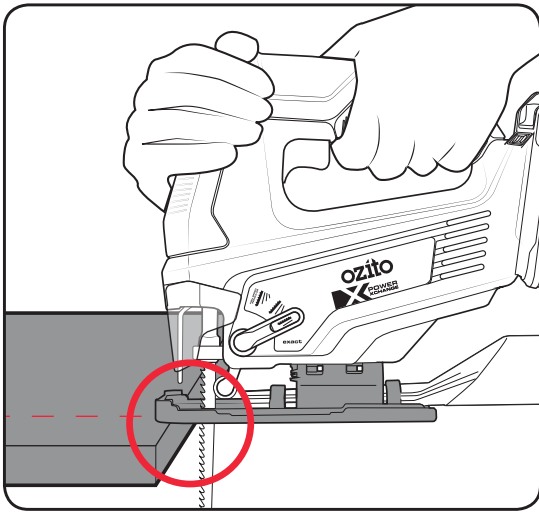
5. MAKING CUTS

WARNING! ENSURE ALL WORKPIECES ARE SECURELY CLAMPED DOWN.

Straight Cuts

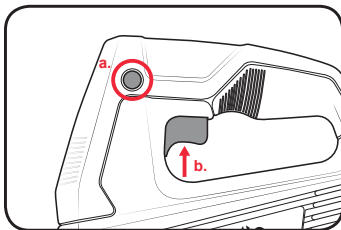
1. Place the base plate onto the workpiece but ensure that the blade is not touching the edge of the material to be cut.

WARNING! ALWAYS HOLD THE TOOL BY ITS INSULATED GRIPPING SURFACES. USE BOTH HANDS TO SUPPORT THE TOOL WHEN CUTTING.

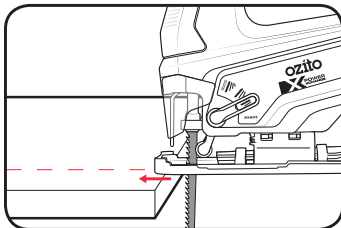


2. Press and hold the lock-off button and then squeeze the on/off trigger to start the tool.

Note: The cutting speed of the blade can be varied by the amount the on/off trigger is depressed.



3. Move the jigsaw forward into the cut with light pressure. Allow the tool to do the work.



4. To stop the jigsaw, release the on/off trigger.

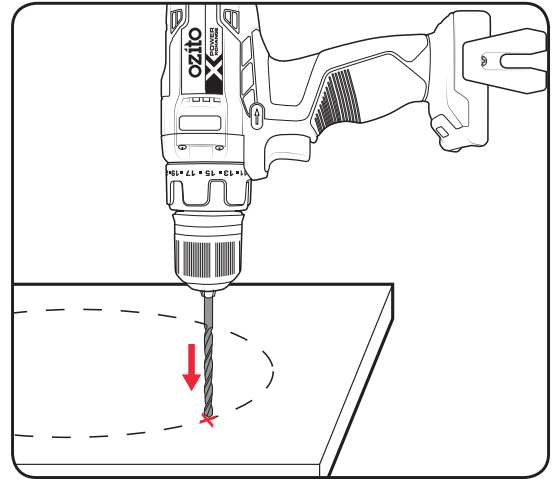
WARNING! ALLOW THE BLADE TO COME TO A COMPLETE STOP BEFORE LIFTING THE JIGSAW OUT OF THE CUT.

WARNING! ONLY USE BLADES APPROPRIATE TO THE MATERIAL BEING CUT. ONLY USE THE SUPPLIED TIMBER BLADE TO CUT TIMBER.

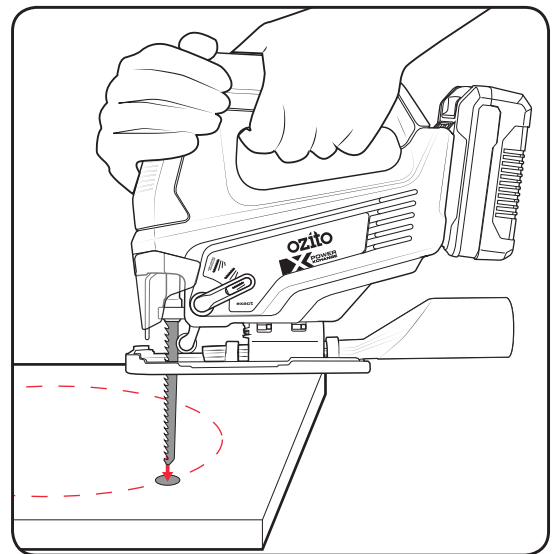
Pocket Cutting

A pocket cut is a hole cut into the middle of a workpiece.

1. Drill a hole into the workpiece (within the cut line) using a drill bit larger than the intended jigsaw blade.



2. Place the blade of the jigsaw into the drilled hole and begin the cut.



WARNING! IF THE JIGSAW SWITCHES OFF DURING USE, THE TOOL IS OVERLOADED. REDUCE THE CUTTING PRESSURE AND/OR INCREASE THE PENDULUM ACTION TO REDUCE LOAD ON THE TOOL.

6. TROUBLESHOOTING

Cutting Metal

Your jigsaw can be used for cutting light gauge ferrous sheet and non-ferrous metals such as copper, brass, aluminium, etc.

It is advisable when cutting sheet metal to clamp a backing sheet of soft wood or plywood to the work as this will enable you to obtain a clean cut without vibration and the possibility of tearing the metal. Both metal and wood backing are sawn together. Do not force the cutting blade into the metal as this will reduce the life of the blade and possibly damage the motor.

Cutting thin metal will take longer than cutting even a relatively thick piece of wood, so do not be tempted to speed up the operation by forcing the saw. Spread a thin film of oil along the proposed cutting line before commencing to saw metal.

Always select the right blade for the job.

Jigsaw Frequently Cuts Out During Use

If the jigsaw switches off during use, the tool is overloaded. Please reduce cutting pressure and/or increase pendulum action to reduce load on the tool.

MAINTENANCE



WARNING! BEFORE CLEANING OR CARRYING OUT ANY MAINTENANCE PROCEDURE, ENSURE THAT THE BATTERIES HAVE BEEN REMOVED.

When not in use, the tool should be stored in a dry, frost free location; keep out of children's reach.

If the housing of the tool requires cleaning, do not use solvents. Use of a cloth only is recommended. Never immerse any part of the tool into liquid.

Note: Ozito Industries will not be responsible for any damage or injuries caused by repair of the tool by an unauthorised person or by mishandling.

DESCRIPTION OF SYMBOLS

v	Volts	spm	Strokes per minute
	Wear ear, eye & breathing protection		Regulatory Compliance Mark (RCM)
	Read Instruction Manual		Warning

CARING FOR THE ENVIRONMENT



Power tools that are no longer usable should not be disposed of with household waste but in an environmentally friendly way. Please recycle where facilities exist. Check with your local council authority for recycling advice.



Recycling packaging reduces the need for landfill and raw materials. Reuse of recycled material decreases pollution in the environment. Please recycle packaging where facilities exist. Check with your local council authority for recycling advice.

SPARE PARTS

Spare parts can be ordered from the Special Orders Desk at your local Bunnings Warehouse.


For further information, or any parts not listed here, visit www.ozito.com.au or contact Ozito Customer Service:

Australia 1800 069 486

New Zealand 0508 069 486

E-mail: enquiries@ozito.com.au

ELECTRICAL SAFETY

 **WARNING!** When using mains-powered tools, basic safety precautions, including the following, should always be followed to reduce risk of fire, electric shock, personal injury and material damage.

Read the whole manual carefully and make sure you know how to switch the tool off in an emergency, before operating the tool.

Save these instructions and other documents supplied with this tool for future reference.

The charger has been designed for 230V and 240V only. Always check that the power supply corresponds to the voltage on the rating plate.

Note: The supply of 230V and 240V on Ozito tools are interchangeable for Australia and New Zealand.

If the supply cord is damaged, it must be replaced by an electrician or a power tool repairer in order to avoid a hazard.


Using an Extension Lead

Always use an approved extension lead suitable for the power input of this tool. Before use, inspect the extension lead for signs of damage, wear and ageing. Replace the extension lead if damaged or defective.

When using an extension lead on a reel, always unwind the lead completely. Use of an extension lead not suitable for the power input of the tool or which is damaged or defective may result in a risk of fire and electric shock.

The power supply for this products charger should be protected by a residual current device (rated at 30mA or less). A residual current device reduces the risk of electric shock.

GENERAL POWER TOOL SAFETY WARNINGS

 **WARNING!** Read all safety warnings and all instructions. Failure to follow the warnings and instructions may result in electric shock, fire and/or serious injury.

Save all warnings and instructions for future reference. The term "power tool" in the warnings refers to your mains-operated (corded) power tool or battery-operated (cordless) power tool.

1. Work area safety

- Keep work area clean and well lit.** Cluttered or dark areas invite accidents.
- Do not operate power tools in explosive atmospheres, such as in the presence of flammable liquids, gases or dust.** Power tools create sparks which may ignite the dust or fumes.
- Keep children and bystanders away while operating a power tool.** Distractions can cause you to lose control.

2. Electrical safety

- Power tool plugs must match the outlet.** Never modify the plug in any way. Do not use any adapter plugs with earthed (grounded) power tools. Unmodified plugs and matching outlets will reduce risk of electric shock.
- Avoid body contact with earthed or grounded surfaces, such as pipes, radiators, ranges and refrigerators.** There is an increased risk of electric shock if your body is earthed or grounded.
- Do not expose power tools to rain or wet conditions.** Water entering a power tool will increase the risk of electric shock.
- Do not abuse the cord.** Never use the cord for carrying, pulling or unplugging the power tool. Keep cord away from heat, oil, sharp edges or moving parts. Damaged or entangled cords increase the risk of electric shock.
- When operating a power tool outdoors, use an extension cord suitable for outdoor use.** Use of a cord suitable for outdoor use reduces the risk of electric shock.

3. Personal safety

- Stay alert, watch what you are doing and use common sense when operating a power tool.** Do not use a power tool while you are tired or under the influence of drugs, alcohol or medication. A moment of inattention while operating power tools may result in serious personal injury.
- Use personal protective equipment.** Always wear eye protection. Protective equipment such as dust mask, non-skid safety shoes, hard hat, or hearing protection used for appropriate conditions will reduce personal injuries.
- Prevent unintentional starting.** Ensure the switch is in the off-position before connecting to power source and/or battery pack, picking up or carrying the tool. Carrying power tools with your finger on the switch or energising power tools that have the switch on invites accidents.

- Remove any adjusting key or wrench before turning the power tool on.** A wrench or a key left attached to a rotating part of the power tool may result in personal injury.
- Do not overreach.** Keep proper footing and balance at all times. This enables better control of the power tool in unexpected situations.
- Dress properly.** Do not wear loose clothing or jewellery. Keep your hair, clothing and gloves away from moving parts. Loose clothes, jewellery or long hair can be caught in moving parts.
- If devices are provided for the connection of dust extraction and collection facilities, ensure these are connected and properly used.** Use of dust collection can reduce dust-related hazards.
- Do not let familiarity gained from frequent use of tools allow you to become complacent and ignore tool safety principles.** A careless action can cause severe injury within a fraction of a second.


4. Power tool use and care

- Do not force the power tool.** Use the correct power tool for your application. The correct power tool will do the job better and safer at the rate for which it was designed.
- Do not use the power tool if the switch does not turn it on and off.** Any power tool that cannot be controlled with the switch is dangerous and must be repaired.
- Disconnect the plug from the power source and/or the battery pack from the power tool before making any adjustments, changing accessories, or storing power tools.** Such preventive safety measures reduce the risk of starting the power tool accidentally.
- Store idle power tools out of the reach of children and do not allow persons unfamiliar with the power tool or these instructions to operate the power tool.** Power tools are dangerous in the hands of untrained users.
- Maintain power tools.** Check for misalignment or binding of moving parts, breakage of parts and any other condition that may affect the power tool's operation. If damaged, have the power tool repaired before use. Many accidents are caused by poorly maintained power tools.
- Keep cutting tools sharp and clean.** Properly maintained cutting tools with sharp cutting edges are less likely to bind and are easier to control.
- Use the power tool, accessories and tool bits etc. in accordance with these instructions, taking into account the working conditions and the work to be performed.** Use of the power tool for operations different from those intended could result in a hazardous situation.
- Keep handles and grasping surfaces dry, clean and free from oil and grease.** Slippery handles and grasping surfaces do not allow for safe handling and control of the tool in unexpected situations.

5. Service

- Have your power tool serviced by a qualified repair person using only identical replacement parts.** This will ensure that the safety of the power tool is maintained.

JIGSAW SAFETY WARNINGS

 This appliance is not intended for use by persons (including children) with reduced physical, sensory or mental capabilities, or lack of experience and knowledge, unless they have been given supervision or instruction concerning use of the appliance by a person responsible for their safety.

- Remove all nails and screws in the work piece before using the jigsaw. Cutting nails or screws may damage your tool.
- Do not cut hollow pipe with the jigsaw
- Do not cut material thicker or of a wider diameter than the specified limits.
- Always allow enough clearance underneath the work piece to ensure the blade does not touch the floor or work bench, etc.
- Ensure all workpieces are securely clamped down.
- Hold the tool at a comfortable distance from your body. Do not over reach to access the work piece.

- Hold power tool by insulated gripping surfaces, when performing an operation where the cutting accessory may contact hidden wiring or its own cord. Cutting accessory contacting a 'live' wire may make exposed metal parts of the power tool 'live' and could give the operator an electric shock.
- Do not touch moving parts with your fingers or hand.
- Do not cut through walls or cavities without first checking for hidden electrical wires.
- Ensure that you have tightened the blade prior to starting the machine.
- When you have finished the cut, wait until the saw blade has stopped moving prior to removing it from the work piece.
- Do not touch the saw blade immediately after use. Allow time for the blade to cool, as it may burn you due to the heat generated during sawing.
- Always check accessories to ensure that they are suitable for the operating speeds of this tool. Incorrect accessories can break apart at high speed and cause serious damage or injury.