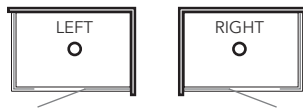


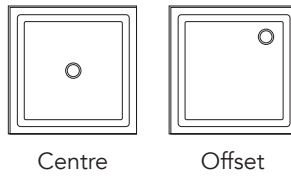
FEATURES

- 65mm Sill Height with 30mm Upstand
- Heavy Duty Reinforced Fiberglass Construction
- Anti-Slip Acrylic
- 10 Year Warranty

CONFIGURATIONS



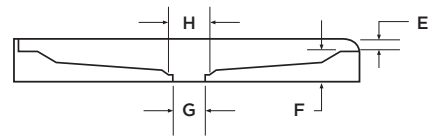
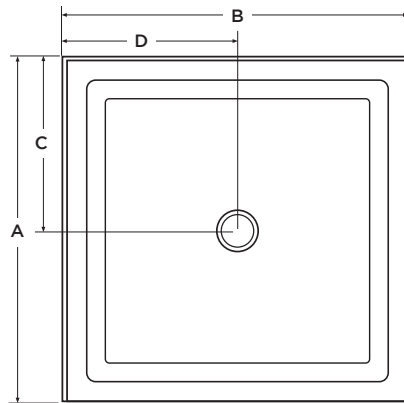
WASTE OPTIONS



SIZES

- 900 x 750mm
- 900 x 900mm
- 1000 x 1000mm
- 1200 x 900mm

SPECIFICATIONS



	A	B	C	D	E	F	G	H
750 x 750	750	750	375	375	30	65	90	115
900 x 750 LH	750	900	375	450	30	65	90	115
900 x 750 RH	750	900	375	450	30	65	90	115
900 x 900 Centre	900	900	450	450	30	65	90	115
900 x 900 Offset	900	900	150	150	30	65	90	115
1000 x 1000 Centre	1000	1000	500	500	30	65	90	115
1000 x 1000 Offset	1000	1000	150	150	30	65	90	115
1200 x 900 LH	900	1200	450	600	30	65	90	115
1200 x 900 RH	900	1200	450	600	30	65	90	115

PRODUCT INFORMATION

DESCRIPTION

Stein acrylic shower trays are made using heavy duty reinforced fiberglass acrylic. Standard profile trays are 75mm high featuring a 30mm upstand. When installed, the wall lining comes down over the upstand, forming a waterproof seal with no visible silicone in the shower.

Low profile trays are designed with a sill height of 40mm and an upstand of 40mm. These trays feature the AquaCHECK™ technology across the top of the tray upstand that combines to provide an anti-capillary gap. There is no provision for water tension to elevate the liquid up behind the acrylic liner.

Stein acrylic trays are suitable for use in 2-Sided, Alcove, Curved and Neo shower enclosures. They are available in a range of standard sizes from 750x750mm up to 1500x915mm.

CONTRIBUTIONS TO COMPLIANCE

B2.3.1 (c) (i) and (ii) and B2.3.2 (b): Stein Acrylic Trays have a durability of 10 years when maintenance standards are adhered to. Trays are installed as components of a building system and can be replaced without removing building elements that have greater durability. Refer to installation guides and Aftercare Document for further information.

G1.1 (a) and G1.3.2: Stein Acrylic Trays are made from easy clean, anti-slip acrylic. Regular cleaning routines to maintain hygienic standards are outlined in Aftercare and Maintenance document. Trays have adequate disposal via waste outlets, refer to installation manual for further information.

SCOPE OF USE

Stein Acrylic Shower Trays are intended for use in the following environments:

- Domestic and commercial bathrooms, including homes, government housing, hotels, apartments.
- Suitable for use with cold and hot water.
- Tray systems are compatible with other plumbing fittings manufactured to NZS 3501.
- Used on a level floor surface prepared as per installation instructions.

WARNINGS AND BANS

This product is not subject to warning or bans under section 26 of the Building Act 2004.

CONTACT DETAILS

Location: NZ for Local and Imported Products

Legal and Trading Name of Manufacturer:
Newline Group Ltd

Importer Address for Service:
54 Unutoto Place, Tauranga, 3171

Importer Website: stein.nz

Importer Email: sales@stein.co.nz

Importer Phone Number: 0800 002 299

CONDITIONS OF USE

- Stein acrylic trays are intended for use under regulated water temperature that does not exceed 55 degrees Celsius.
- Must be installed in accordance with Stein Acrylic Wall and Tray Installation Manual.
- Cleaning products including bleaches, solvents, alcohol, citrus based chemicals, bath oils, and/or any abrasive cleaner shouldn't be used. Full list is outlined in Aftercare Document.
- Should be installed by an experienced shower installer or tradesman to ensure best outcome.

SUPPORTING DOCUMENTATION

The following additional documentation supports the above statements:

[Aftercare and Maintenance](#)

[Warranty Information](#)

[Acrylic Liner Instruction Manual](#)