

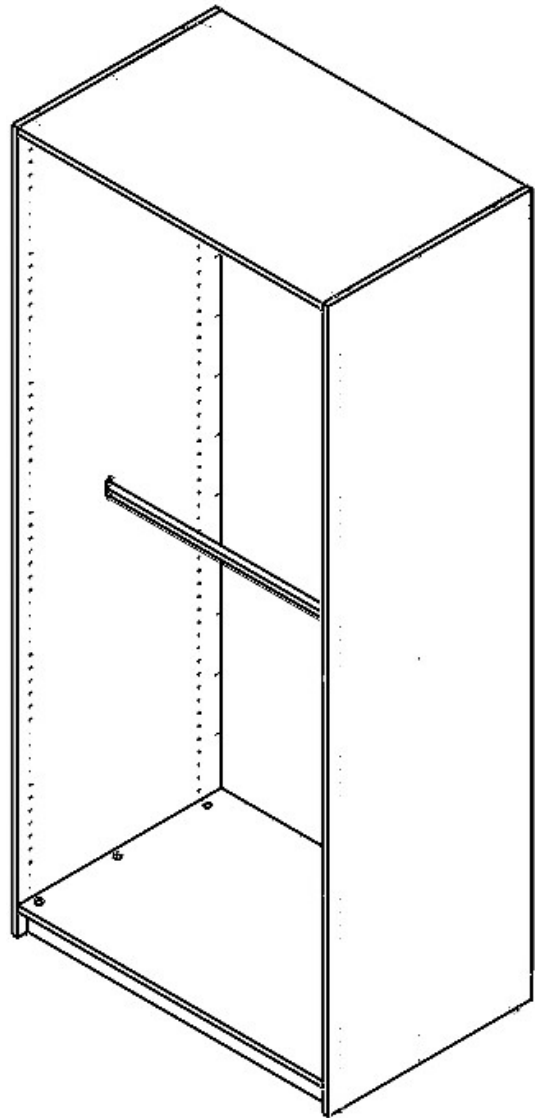
XTENDA Range - 2 Door Robe Shell 900 (0187415)

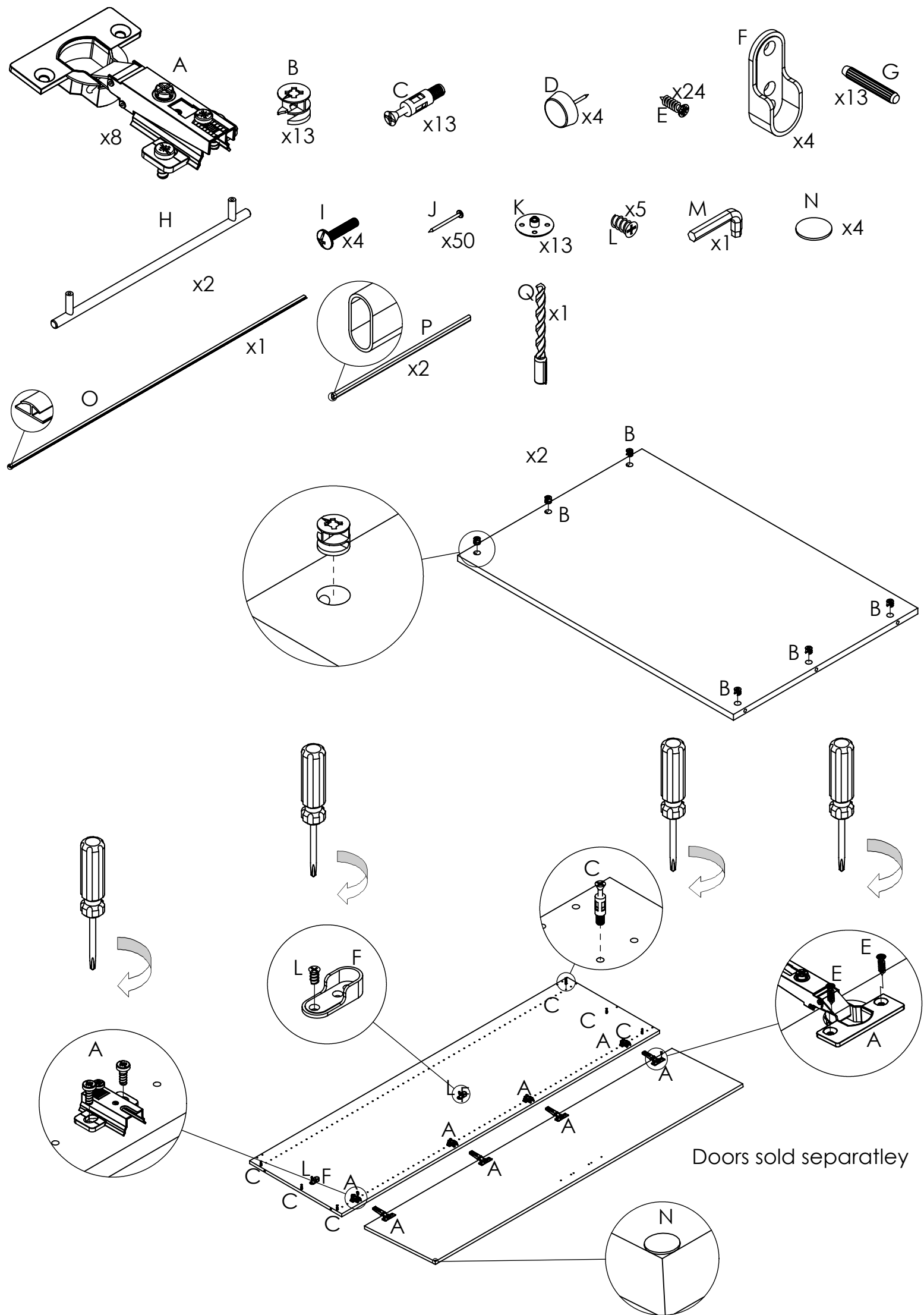
IMPORTANT

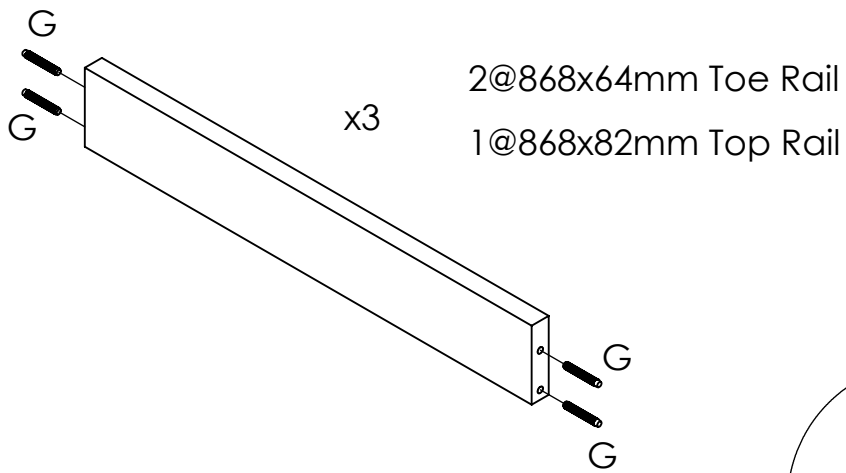
Before commencing assembly:

- Follow all instructions **COMPLETELY**.
- Hardware kit contains small parts; keep out of reach of children.
- Ensure all listed parts are present.
- Required tools to assemble:
Philips head screw driver, Battery Drill & Spirit Level.
- Required assembly work surface should be solid, level, clean and flat.
- Ensure all melamine edges are facing to the front of the unit.
- Two person assembly required.

Customer Services Enquiries 1800 822 823







868x82mm Rail

