

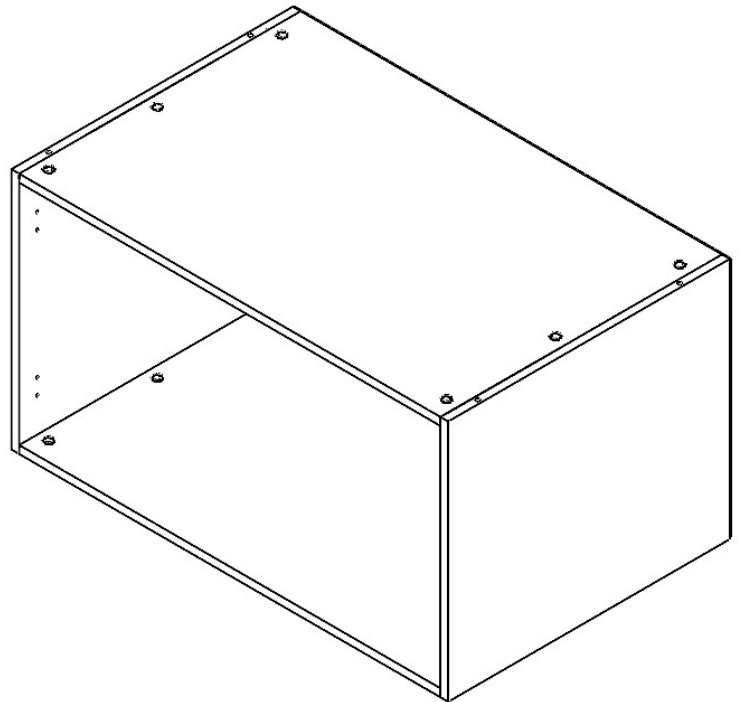
XTENDA Range - 2 Door Wardrobe Topper Shell

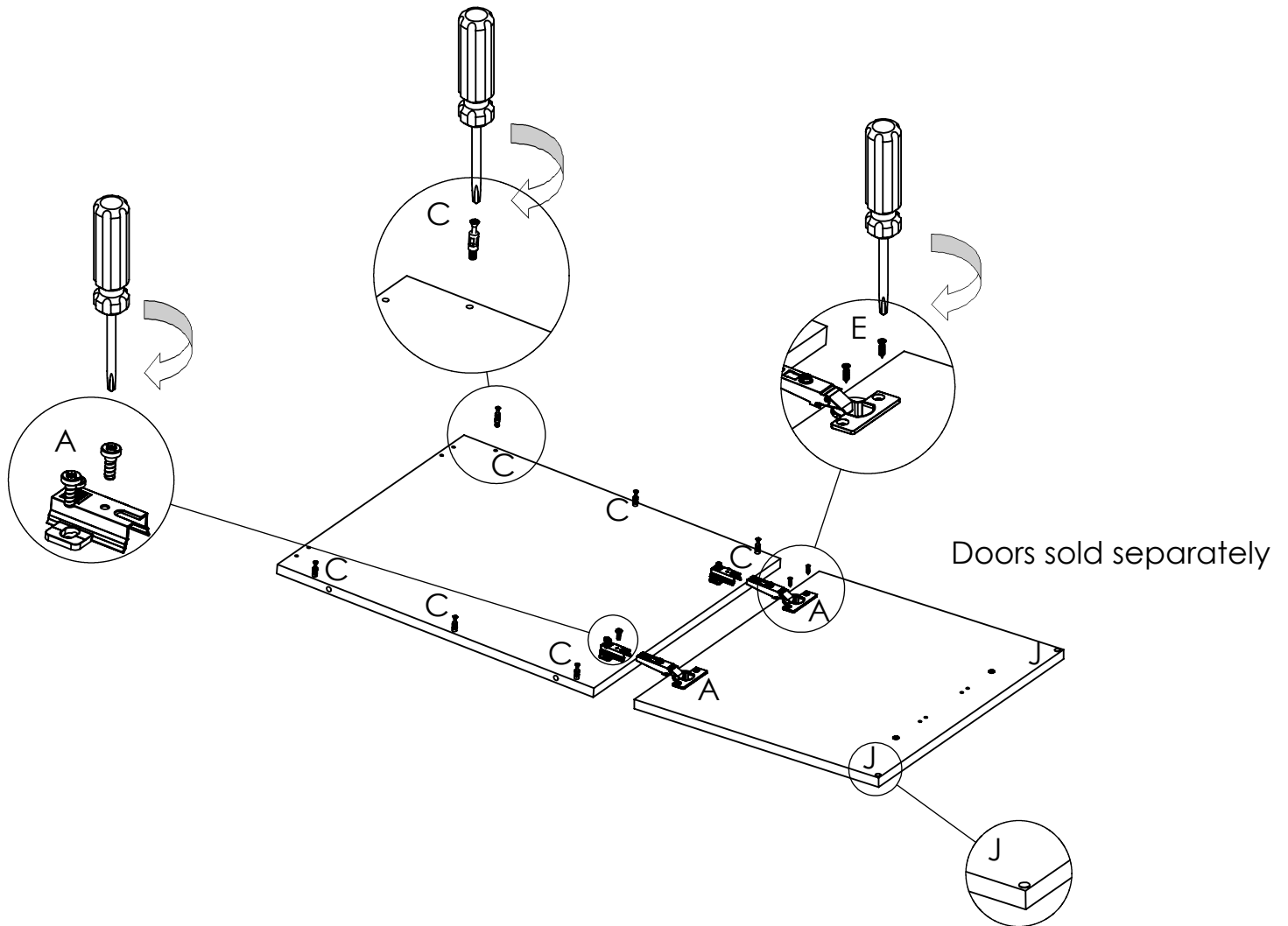
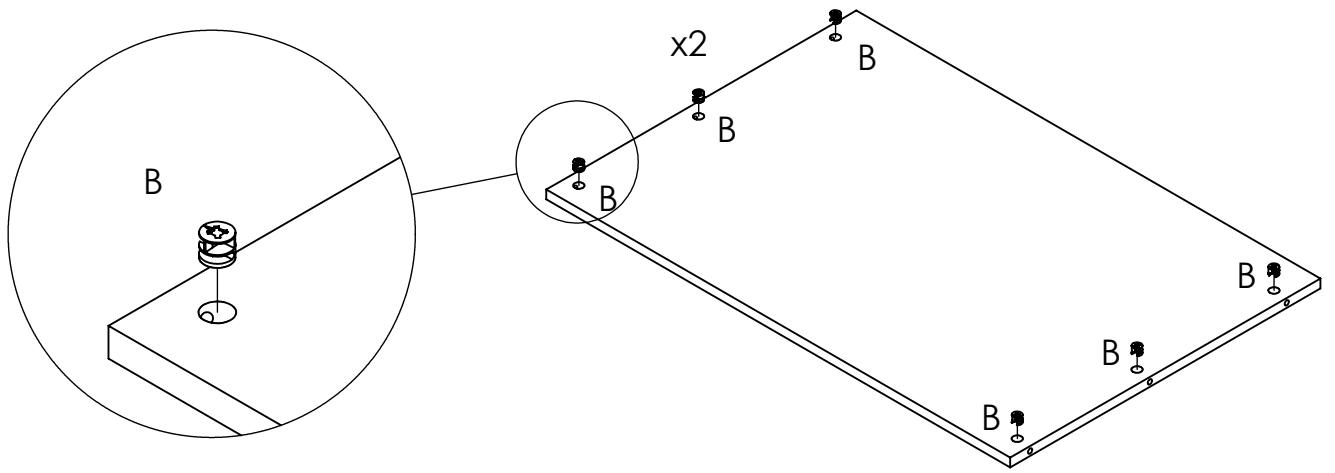
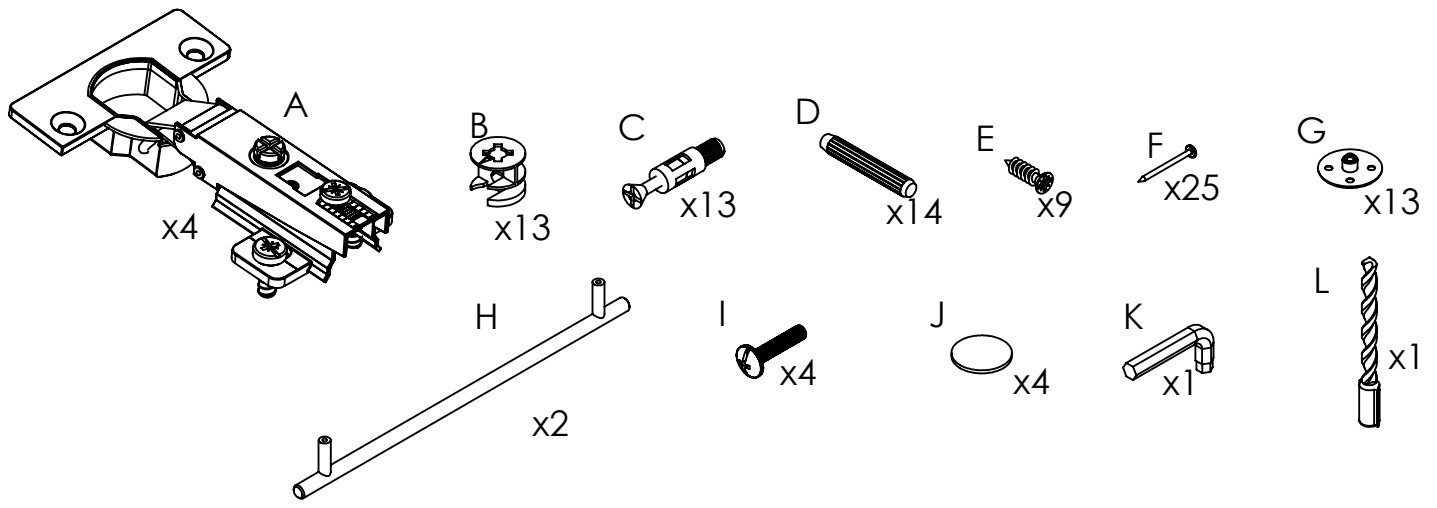
IMPORTANT

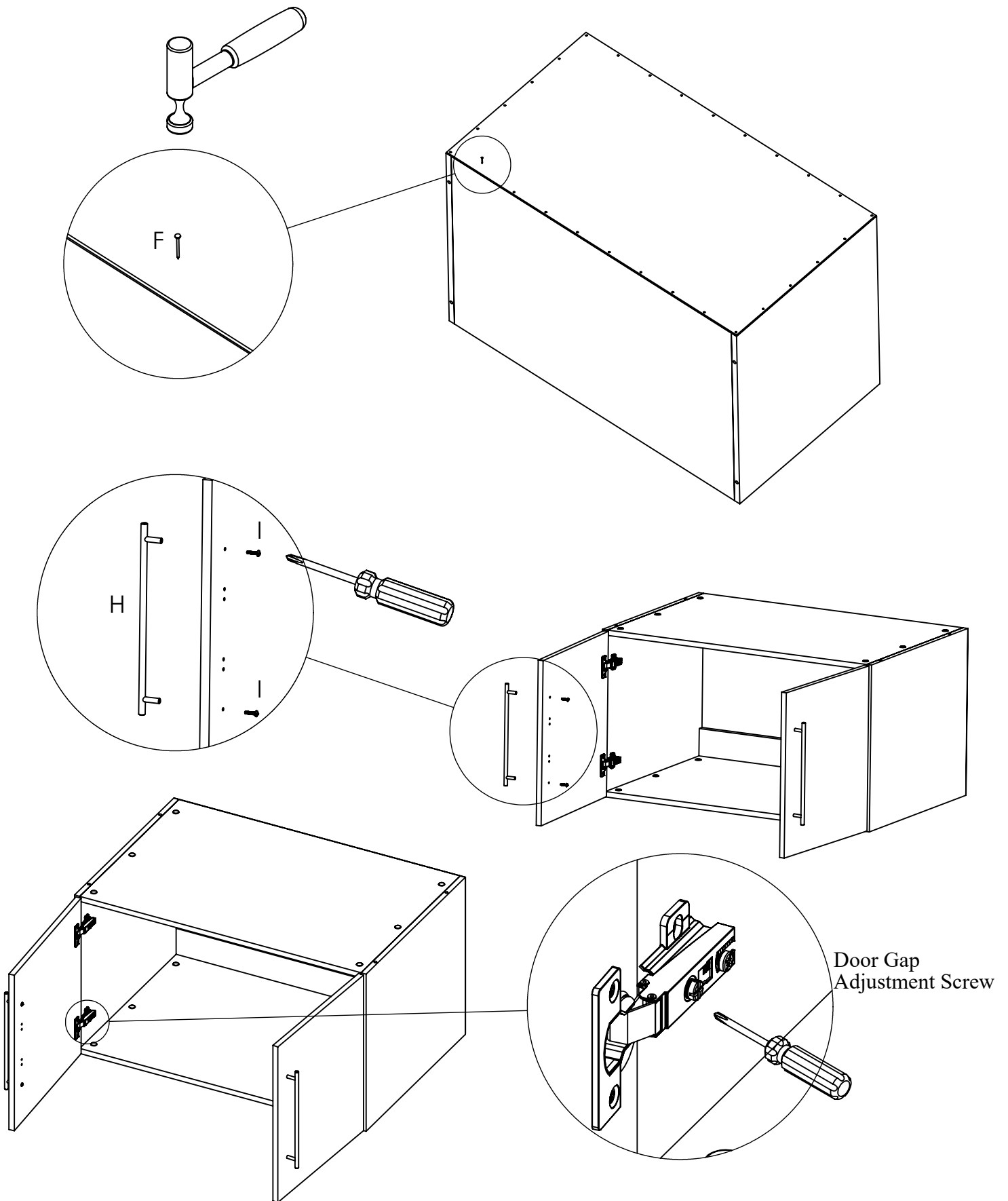
Before commencing assembly:

- Follow all instructions **COMPLETELY**.
- Hardware kit contains small parts; keep out of reach of children.
- Ensure all listed parts are present.
- Required tools to assemble:
Philips head screw driver, Battery Drill & Spirit Level.
- Required assembly work surface should be solid, level, clean and flat.
- Ensure all melamine edges are facing to the front of the unit.
- Two person assembly required.

Customer Services Enquiries 1800 822 823







It is strongly recommended to secure the unit to the wall, otherwise, it may tip forward when opened. Bedford do not supply wall fixings as part of the hardware kit due to various wall constructions.

Bedford Furniture is part of the Bedford Group. Bedford is a South Australian not-for-profit organisation dedicated to enhancing the lives of people with a disability or disadvantage through employment, training, residential services and life-skills.