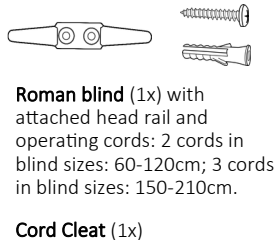
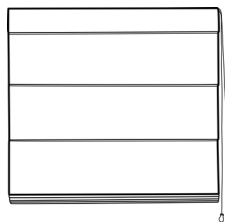


# Roman Blind Installation Instructions



## Components and Fittings



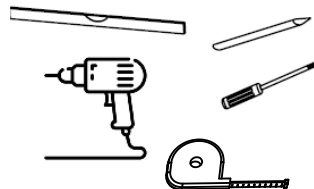
**Roman blind (1x)** with attached head rail and operating cords: 2 cords in blind sizes: 60-120cm; 3 cords in blind sizes: 150-210cm.

**Cord Cleat (1x)**

### Mounting bracket kit:

2 mounting brackets and 6 screws&plugs for blind sizes: 60-120cm  
 3 mounting brackets and 8 screws&plugs for blind sizes: 150-180cm;  
 4 mounting brackets and 10 screws&plugs for blind size: 210cm.

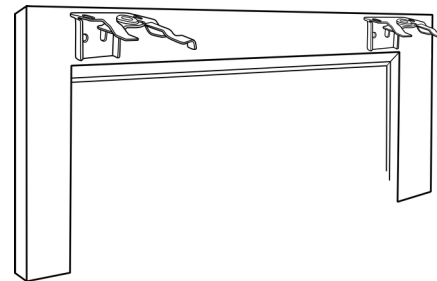
## Tools Required



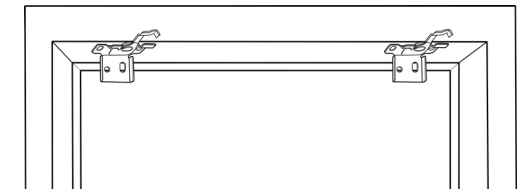
Spirit level, metal tape measure, pencil, drill, Phillips head screwdriver

## Possible Installation Positions

### Face Mount



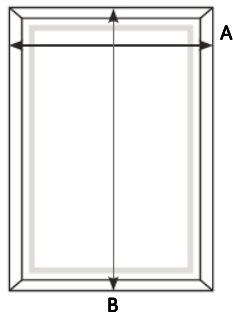
### Recess Mount (Top Fit only)



Note: A light gap of approximately 15-20mm between fabric and frame will be present to allow for fitting each side.

## Step 1. Check Measure

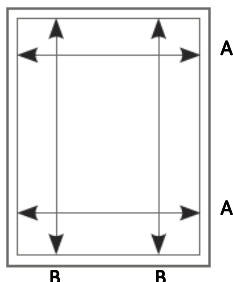
Measure the window to confirm correct size.



### Face & Ceiling Mount:

Measure from one edge of the architrave/wall to the other.

Add extra 30mm on each side for better light protection.



### Recess Mount:

Measure inside the window frame at the top and the bottom of the frame to ensure the window frame is straight.

Use the smallest measurement.

## Step 2. Roman Blind Bracket Positioning

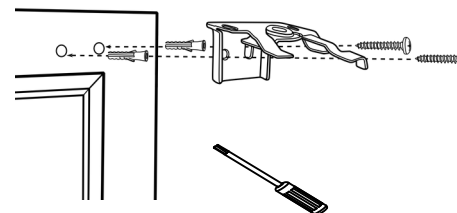
With a pencil, check and mark the position of the first mounting bracket. Repeat the process for all brackets supplied. Once the installation position of all brackets supplied is marked - pre-drill pilot holes for brackets screws.

The first 2 brackets should be positioned about 20cm from the left & the right edge of the roman blind. Any remaining brackets should be spaced evenly across the architrave to prevent the blind from sagging in the middle. Depending on the width of the blind 2, 3 or 4 mounting brackets are supplied. Make sure to use all brackets provided.

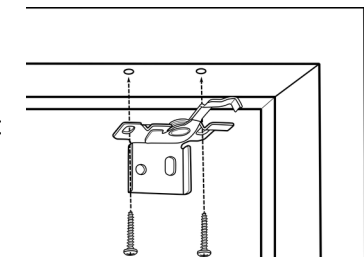
The position of the brackets for blinds installed inside the recess should start approximately 4cm from the back of the recess to allow a perfect fit and smooth operation

## Step 3. Fix the Brackets

### Face Mount



### Recess Mount (Top Fit)



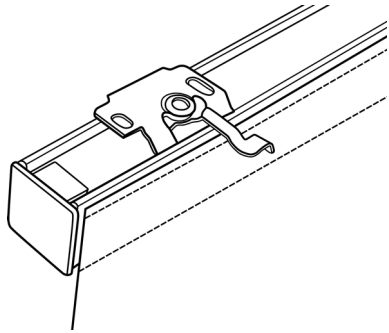
Attach the brackets using the screws provided and a Phillips head screwdriver. Make sure the brackets are firmly in place. For installation in plaster walls use wall plugs provided in the package. Make sure to push the plugs all they way into the wall. Screw the brackets into place, ensuring the lever of the bracket is facing the front of the blind. Repeat for all brackets supplied.

Product not suitable for installation in metal surfaces made of steel. In order to install in aluminium frames pre-drill holes of 2.0-2.5mm diameter for bracket screws.

# Roman Blind Installation Instructions



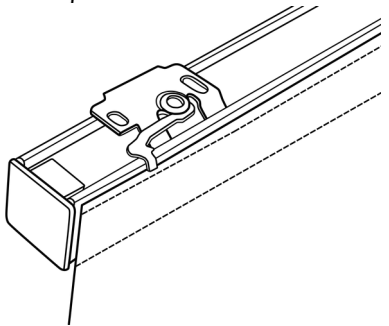
## Step 4. Install Roman Blind



Make sure that all bracket levers are in the open (front) position before installing the blind.

Click the front of the roman blind headrail into the front of the bracket. Click the back of the headrail into the rear of the bracket.

A two-person lift maybe we required for larger blinds.



Push the swing arm of the first bracket all the way to the left to lock the headrail in place. Repeat for all brackets supplied. Ensure the headrail stays firmly in place.

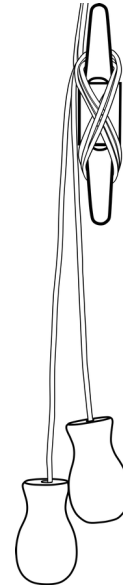
In order to operate the blind move the cords to the left and release them until reaching the desired drop of the blind.

Secure the cords by moving them to the right until they are fully locked and the cords stay firmly in place.

**WARRANTY:** Our goods come with guarantees that cannot be excluded under the Australian Consumer Law. You are entitled to a replacement or refund for a major failure and compensation for any other reasonably foreseeable loss or damage. You are also entitled to have the goods repaired or replaced if the goods fail to be acceptable quality and the failure does not amount to a major failure. The benefits given by this warranty are in addition to other rights and remedies which may be available to the consumer under any law in relation to goods or services to which this warranty relates.

Any claim under warranty must be made within 3 years of the date of purchase of the product. To make a claim under warranty, return the product full with proof of purchase to Markisol, Markisol will repair or replace the product or refund the purchase price. Any expense in claiming the warranty will be paid by the customer. The warranty covers manufacturer defects in materials, workmanship and finish under normal use. The warranty does not cover general wear & tear and commercial applications. You may submit details and proof of purchase to: Markisol Australia Pty Ltd, 23 Citivest Court, Altona North VIC 3025; ABN 46 622 915 093, email: [info@markisol.net.au](mailto:info@markisol.net.au); [www.markisolgroup.com.au](http://www.markisolgroup.com.au)

## Step 5. Install Child Safety Device



Install the cord cleat on the wall or the architrave using the screws provided in the pack.

Ensure the cord cleat sits at least 1600mm from the floor level.

Wind any loose cords (2 or 3 cords depending on the size) around the cord cleat to minimize the strangulation risk for children.

Do not remove the warning tag attached to the cord.

### Care and Maintenance:

Surface dust may be removed with gentle brush, feather duster, clean dry cloth. If the blinds are especially dirty, use the brush attachment on the vacuum to gently brush over the surface.

A solution of lukewarm water and mild detergent may be used to spot clean stains and smudges. Always spot test in inconspicuous area before cleaning.

Do not wash. Do not dry clean. Do not iron.

## **WARNING:**

1. To avoid creating a possible strangulation hazard for children, the corded internal window covering must be installed in such a way that a loose cord cannot form a loop 220mm or longer at a height of less than 1600mm above floor level.
2. A cord guide may be installed lower than 1600mm above floor level if the cord is sufficiently secured or tensioned to prevent a loop 220mm or longer from being formed.
3. If a cord guide is installed lower than 1600mm above floor level it must be designed to prevent a child from being able to remove the cord.
4. If a cleat is used to secure the cord it must be at least 1600mm above floor level because a child is capable of unwinding a cord from a cleat.