



Stop Dripping Taps

RWC



☎ 1800 810 803

✉ sales.au@rwc.com

🌐 rwc.com.au



Reliance Worldwide Corporation (Aust.) Pty. Ltd.
ABN 71 004 784 301
27-28 Chapman Place,
Eagle Farm QLD 4009, Australia



Table of Contents

Tap Components and Instructions	1
HydroSeal's Unique Design	2
Tap Restoration Kit	3
O-Ring Tap Valve	4
Anti-Hammer O-Ring Tap Valve	5
Tap Bonnet Thread Cleaner	6
Tap Seat Refacing Tool	7
Tap Seat Replacement Kit	8
Nipple Cutter	9
Tap Lubricant	10

Tap Components and Instructions

Despite a wide variety of designs, most traditional rising spindle taps have the same or similar core elements. The HydroSeal range of tap restoration products are designed to lengthen the life of your taps, save water, and return old taps to a functional state.

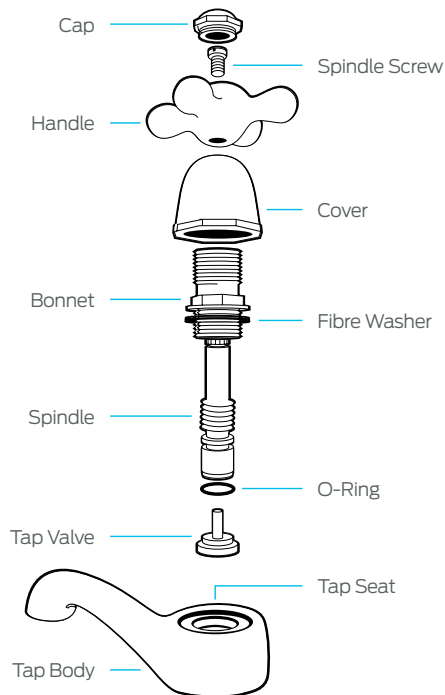
HydroSeal has products to replace or restore:

Tap Seat: The Tap Seat is the flat, smooth surface inside the tap body that the tap valve seals against. Damage to the Tap Seat through repeated use is often a contributing factor to a leak, as the tap valve is unable to make an effective seal.

Tap Valve: The tap valve is responsible for achieving the drip-tight seal against the tap seat. The HydroSeal Tap Valve uses a unique O-Ring seal design to achieve a drip-tight seal with a minimum of effort from the user.

O-Ring: The O-Ring helps to make a tight seal inside your tap. All HydroSeal replacement Tap Valves come pre-fitted with a flexible and hard wearing O-Ring.

Tap Bonnet: The tap bonnet holds the spindle in place, the mechanism which turns the tap on and off. A dirty or worn tap bonnet can make turning the tap on or off difficult.



Disassembly Instructions

1. Before working on your tap TURN OFF MAINS WATER
2. Turn tap to be repaired on to make sure all water has drained from the inlet pipe
3. Unscrew cap, spindle screw or other screw holding the handle to the spindle and remove handle
4. Lift off or unscrew the cover
5. Unscrew the tap bonnet and remove the tap valve

Reassembly Instructions

1. Inspect the tap seat for signs of damage and check whether the seat surface is uneven or rough. Use the HydroSeal Tap Seat Refacing Tool to restore the tap seat where required
2. Place a new HydroSeal Tap Valve on the tap seat and engage the spindle hole over the end of the tap valve stem then tighten the tap bonnet onto the tap body (replace the fiber washer if damaged or worn)
3. Assemble all other parts in reverse to the disassembly instructions
4. Make sure the tap is turned off, then turn on the mains water supply



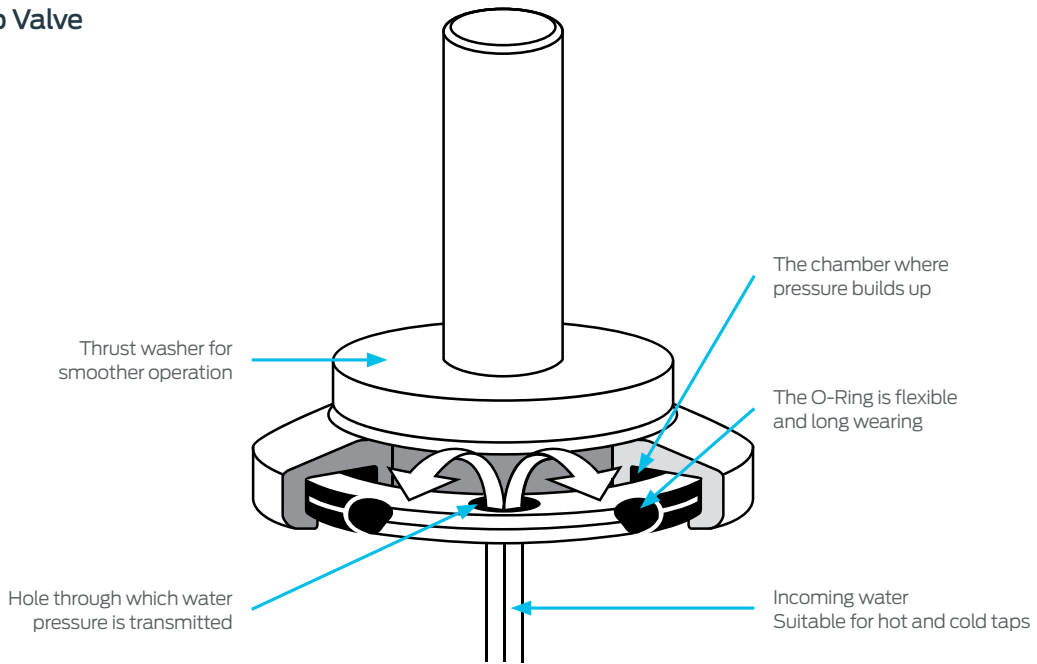
Note: Disassembly may differ from the diagram shown due to variations in type or make of tap. As this brochure is intended as a simple guide for restoring taps, further assistance or professional advice may be required.

HydroSeal's Unique Design

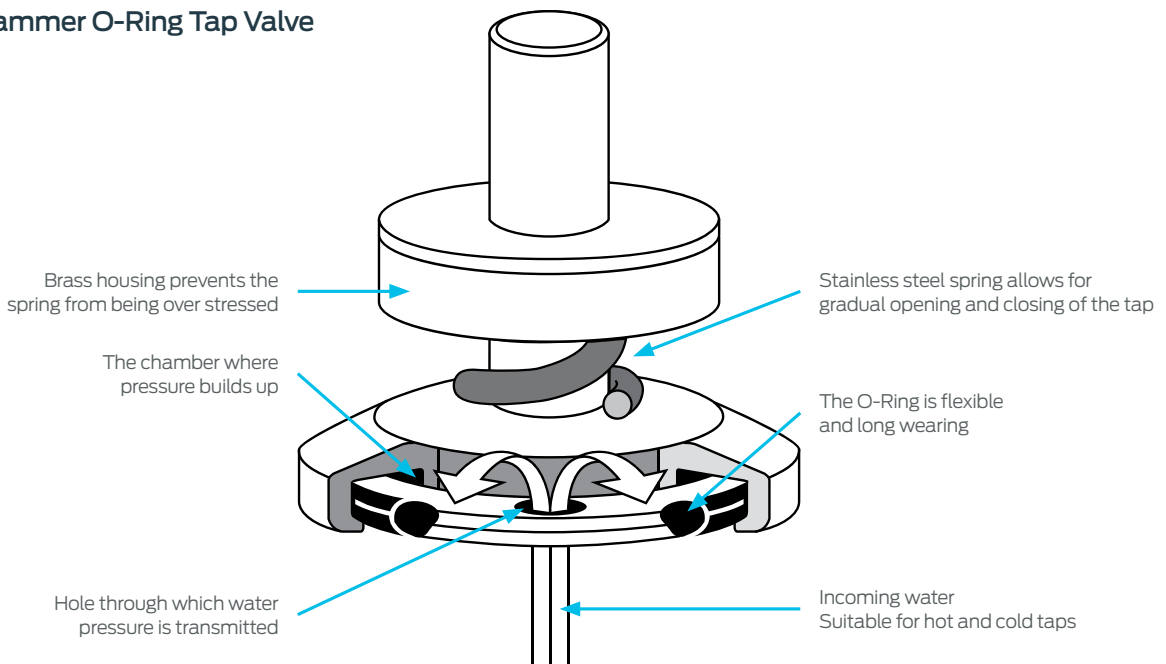
The unique patented hydraulic sealing principle of the HydroSeal Tap Valve, incorporating an O-Ring design, uses water pressure through the small hole located in the base of the valve to help provide a better seal.

Using hydraulic pressure to assist sealing the tap means the tap can be tightened using less pressure from the handle, making life easier for the young, elderly or arthritic and extending the life of your tap.

O-Ring Tap Valve



Anti-Hammer O-Ring Tap Valve



Tap Restoration Kit

Fix The Most Common Causes of Dripping Taps

This handy kit helps restore all the taps in your home to new condition. Fix the three most common causes of dripping taps; worn tap valves, worn tap seats and tight tap handles.

Benefits

1. Quick and easy to use
2. Made from the finest materials
3. Restore all the taps in your home
4. Ensure top performance and long lasting service
5. Designed to restore old taps to new condition
6. Replace the tap valve
7. Reface worn tap seats
8. Fixes tight tap handles
9. Cures persistently dripping taps
10. Made in Australia
11. HydroSeal Tap Restoration Kits are manufactured to AS/NZS 3718



Tap Restoration Kit

Instructions

1. See page 1 for tap disassembly instructions
2. See pages 7, 9 and 10 for further instructions on each component
3. Reassemble the tap (as per instructions on page 1)

Product Description

HydroSeal Tap Restoration Kit

- 1 x Tap Seat Refacing Tool
- 1 x Tap Bonnet Thread Cleaner
- 6 x O-Ring Tap Valves 12mm (1/2")

Product Code

HSX08



Note: A full set of instructions are included in the Tap Bonnet Thread Cleaner packaging.



Note: If you still have a dripping tap after using the Tap Restoration Kit, you may need to replace the tap seat (see page 11).



Lead Free

AS/NZS 3718

WM-002001

O-Ring Tap Valves

Unique Hydraulic Sealing Positively Seals Dripping Taps

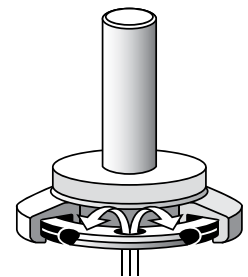
The main cause of a dripping taps is a worn or damaged tap valve. Replacing the tap valve is a quick and easy way to stop the drip.

Benefits

1. Easy and quick to install
2. Long lasting, high quality brass construction
3. The O-Ring is flexible and hard wearing
4. Water pressure directed behind the O-Ring positively seals your tap
5. Helps conserve our natural resources and saves you money
6. Suits hot and cold water taps, and low or high pressure systems
7. Smooth fingertip operation
8. Easier to turn on and off for the elderly or arthritic because of its unique hydraulic sealing, incorporating an O-Ring design
9. Made in Australia
10. HydroSeal O-Ring Tap Valves are manufactured to AS/NZS 3718



O-Ring Tap Valve



Instructions

1. Disassemble the tap (as per instructions on page 1)
2. Ensure that you are fitting the correct size O-Ring Tap Valve
3. Fit the new O-Ring Tap Valve in place.
4. Reassemble the tap (as per instructions on page 1)

Product Description	Size	Product Code
2 x HydroSeal O-Ring Tap Valves	12mm (1/2")	HSX02
10 x HydroSeal O-Ring Tap Valves	12mm (1/2")	HSX03
100 x HydroSeal O-Ring Tap Valves	12mm (1/2")	HSX04



Note: If your tap still drips after fitting the HydroSeal O-Ring Tap Valve, you may have a damaged tap seat. Reface the tap seat with a HydroSeal Tap Seat Refacing Tool (see page 10) or install a HydroSeal Stainless Steel Tap Seat (see page 11).



Lead Free
AS/NZS 3718
WM-002001

Anti-Hammer O-Ring Tap Valve

Silences Noisy Pipe Shudder

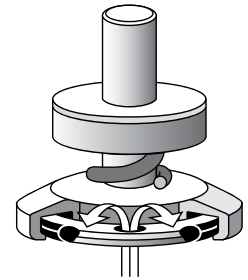
Pipe shudder can be annoying for you and your neighbours, and left unchecked, could damage your pipes and lead to an expensive repair job. HydroSeal Anti-Hammer O-Ring Tap Valves are a simple and effective way to reduce the effects of pipe shudder.

Benefits

1. Easy and quick to install
2. A cushioning spring is incorporated in this unique tap valve design to greatly reduce the noise associated with tap operation
3. Protects plumbing and concealed pipework from possible serious damage and water leaks
4. Long lasting, high-quality brass construction
5. Smooth fingertip operation
6. Suits hot and cold water taps
7. Easier to turn on and off for the elderly or arthritic because of its unique hydraulic sealing incorporating an O-Ring design
8. Includes a thrust washer for smoother operation
9. The O-Ring is flexible and hard wearing
10. Helps conserve our natural resources and saves you money
11. Made in Australia
12. HydroSeal Anti-Hammer O-Ring Tap Valves are manufactured to AS/NZS 3718



Anti-Hammer
O-Ring Tap Valve



Instructions

1. Disassemble the tap (as per instructions on page 1)
2. Ensure that you are fitting the correct size O-Ring Tap Valve
3. Place the new Anti-Hammer O-Ring Tap Valve in place
4. Reassemble the tap (as per instructions on page 1)

Product Description	Size	Product Code
2 x HydroSeal Anti-Hammer O-Ring Tap Valves	12mm (1/2")	HSX06
50 x HydroSeal Anti-Hammer O-Ring Tap Valves	12mm (1/2")	HSX07



Note: Replacing your current washer with a HydroSeal Anti-Hammer O-Ring Tap Valve will not fix water hammer resulting from dishwashers and washing machines turning on and off. To resolve water hammer from these types of appliances we recommend the installation of a Sioux Chief Water Hammer Arrester.

Tap Bonnet Thread Cleaner

Eliminates Tight Tap Handles

Often taps can be difficult to turn on and off because the thread in the tap bonnet has become clogged with foreign matter such as dry soap.

Benefits

1. Easy to use
2. Quickly and efficiently repairs sticking or hard to turn tap handles to an 'as new' condition
3. Designed for long life with case hardening and is black oxide coated to prevent rust
4. The vertical faces of the tool quickly and effortlessly remove foreign matter that has built up in the tap bonnet thread
5. Made in Australia



Tap Bonnet
Thread Cleaner

Instructions

1. Dissassemble the tap (as per instructions on page 1)
2. Clean the tap bonnet using Tap Bonnet Thread Cleaner
3. Replace the O-Ring if there is any visible wear or damage
4. Lubricate the O-Ring, tap bonnet and spindle with HydroSeal Tap Lubricant
5. Reassemble the tap (as per instructions on page 1)

Product Description	Size	Product Code
HydroSeal Tap Bonnet Thread Cleaner	12mm (1/2")	A40-001



Note: A full set of instructions are included in the Tap Bonnet Thread Cleaner packaging.

Tap Seat Refacing Tool

Extend The Life of Your Tap

The performance of any tap is directly related to the condition of the tap seat. If the tap seat is badly worn, scored or out of square then no matter how good the tap valve is, the tap may still drip persistently. By using the HydroSeal Tap Seat Refacing Tool, with its uniquely designed cutter that won't dig in, your tap seat will be left smooth, flat, and square. The tool is designed to be driven using a cordless drill or variable speed electric drill on a low speed.

Benefits

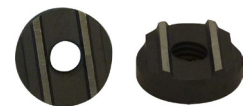
1. Quick and easy to use
2. Repairs tap seats to an 'as new' condition
3. Cutter will not dig in
4. Parallel thread on the refacing tool is designed for long life, will not corrode, being made from Stainless Steel and brass
5. Interchangeable cutting head comes with zinc passivation to minimise rusting
6. Adaptor Kit available with cutting heads in 15mm (5/8") and 19mm (3/4")
7. Long life, extremely durable, tungsten carbide cutting heads available
8. An Extended Stainless Steel Shaft is also available for deep seated tap seats.
9. Helps conserve our natural resources and saves you money
10. Made in Australia

Instructions

1. Disassemble the tap (as per instructions on page 1)
2. Screw the Refacing Tool into the tap and tighten the guide body firmly using spanner flats
3. Attach a battery drill to the stem and start to drill in a clockwise direction, applying light pressure. Draw the cutter away from the tap seat before stopping the drill
4. Undo the guide body and inspect the tap seat to ensure it is completely shiny, smooth and flat. Repeat steps 3 and 4 if necessary
5. Remove any brass cuttings from the tap body
6. Use HydroSeal Tap Bonnet Thread Cleaner (as per instructions on page 6)
7. Reassemble the tap (as per instructions on page 1)



Tap Seat Refacing Tool



Replacement Cutter
12mm (1/2")



Adaptor Kit

Product Description	Size	Product Code
HydroSeal Tap Seat Refacing Tool	12mm (1/2")	A30-001
HydroSeal Replacement Cutter for Tap Seat Refacing Tool	12mm (1/2")	A30-002
HydroSeal Adaptor Kit for Tap Seat Refacing Tool	15mm (5/8") 19mm (3/4")	A30-006
HydroSeal Tungsten Carbide Replacement Cutter for Tap Seat Refacing Tool	12mm (1/2")	A30-019
HydroSeal Extended Shaft for Tap Seat Refacing Tool	160mm	A30-009



Note: A full set of instructions are included in the Tap Seat Refacing Tool packaging.

Tap Seat Replacement Kit

Replaces Worn or Damaged Tap Seats

The performance of any tap is directly related to the condition of the tap seat. If your tap seat cannot be repaired by refacing, then replace it with a new HydroSeal Stainless Steel Seat and Washer for long life.

Benefits

1. Quick and easy to use
2. Repairs tap seats to new condition
3. Stainless Steel ensures long life of the tap seat
4. Helps conserve our natural resources and saves you money
5. Made in Australia
6. HydroSeal Tap Seat Replacement Kits and HydroSeal Stainless Steel Seats and Washers are manufactured to AS/NZS 3718



Tap Seat Replacement Kit

Instructions

1. Disassemble tap and discard old tap valve
2. Form a thread in the tap body
3. Screw in the new HydroSeal Stainless Steel Seat and Washer
4. Reassemble tap using a new HydroSeal O-Ring Tap Valve



Stainless Steel Seats and Washers

Product Description	Product Code
HydroSeal Tap Seat Replacement Kit <ul style="list-style-type: none"> ▪ 1 x Threading Tool ▪ 1 x Guide Bush ▪ 1 x Hex Key ▪ 1 x Joiner ▪ 2 x Stainless Steel Seats and Washers 	A55-001
6 x Stainless Steel Seats and Washers	A55-006
30 x Stainless Steel Seats and Washers	A55-030



Note: A full set of instructions are included in the Tap Seat Replacement Kit packaging.

Nipple Cutter

Cut Back Extended Nipples the Quick and Clean Way

Avoid mess and create a clean, bevelled edge when cutting back plate shower fittings to a desired length.

Benefits

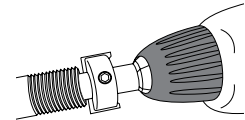
1. Easy to use
2. Professional result every time
3. Leaves a clean, square, bevelled end ready to use
4. Eliminates risk of scratching tiles with a hacksaw
5. Includes No Mess Catcher to collect debris
6. Fits a conventional power drill

Instructions

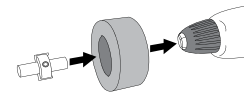
1. Place the nipple cutter through the no mess catcher then into the drill. The catcher will collect all of the brass shavings so you won't have any mess to clean up
2. Insert the nipple cutter in your cordless drill with the flat cutting edge facing forward. Applying an even pressure, cut the nipple back to the desired length
3. Reverse the Nipple Cutter, turning the "V" notch blade forward. Applying an even pressure make a smooth bevelled edge on the nipple end



Nipple Cutter with No Mess Catcher



Nipple Cutter in drill



Using the No Mess Catcher

Product Description

HydroSeal Nipple Cutter

Product Code

A60-001



Note: The HydroSeal Nipple Cutter is designed for professional plumbers during the rough-in phase of installing shower fittings.

Tap Lubricant

Eliminates Tight Tap Handles

Protect the working parts of your tap from corrosion with HydroSeal Tap Lubricant.

Benefits

1. Easy to use
2. Suitable for use in hot and cold taps
3. Smooth fingertip operation
4. Easier to turn on and off for the elderly or arthritic

Instructions

1. Disassemble the tap (as per instructions on page 1)
2. For best results, apply HydroSeal Tap Lubricant to the bonnet thread, spindle thread and O-Ring areas of the tap mechanism (see diagram on page 4)
3. Reassemble the tap (as per instructions on page 4)



15g Tap Lubricant



40g Tap Lubricant

Product Description	Size	Product Code
HydroSeal Tap Lubricant	15g Tube	A45-015
	40g Tube	A45-040



Note: Suitable for other uses, including hinges, bicycles, toys, tools, sewing machines, etc.





-  1800 810 803
-  1800 062 669
-  sales.au@rwc.com
-  rwc.com.au