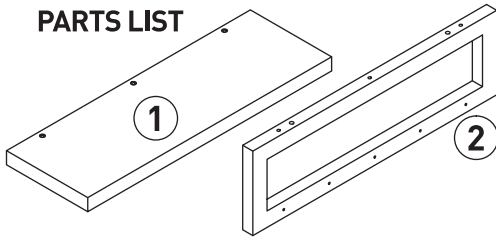


PARTS LIST




A
2x



B
2x



C
3x



D
5x



E
5x



F
3x



G
1x



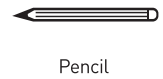
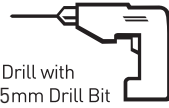
H
2x



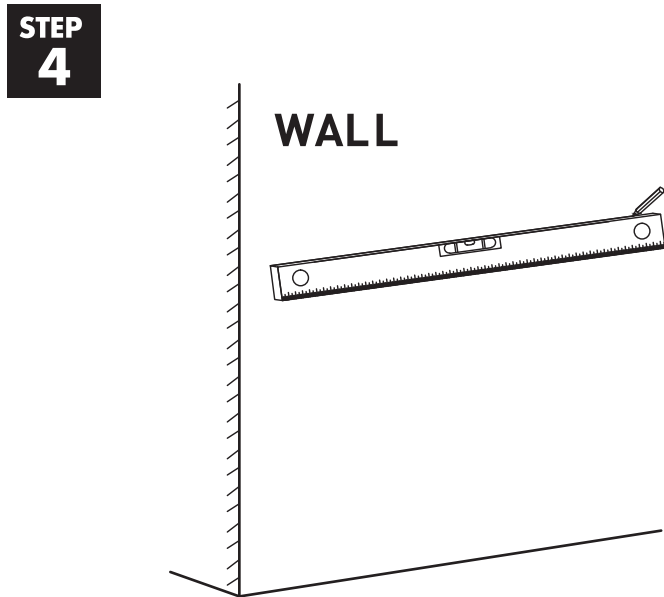
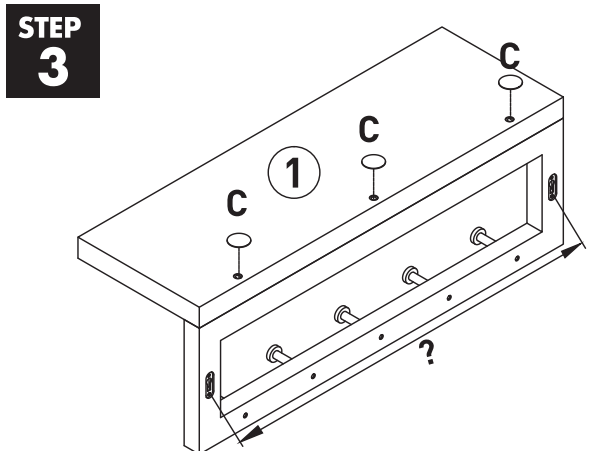
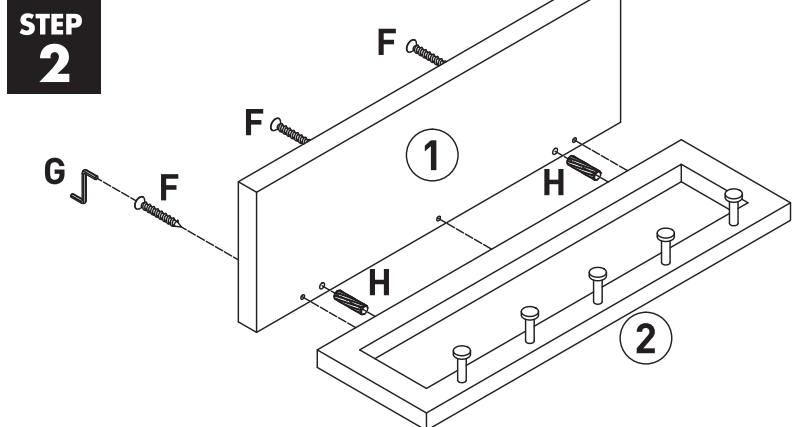
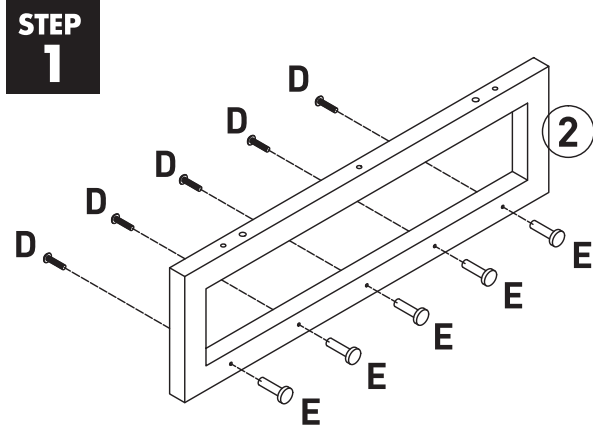
I
2x




TOOLS REQUIRED



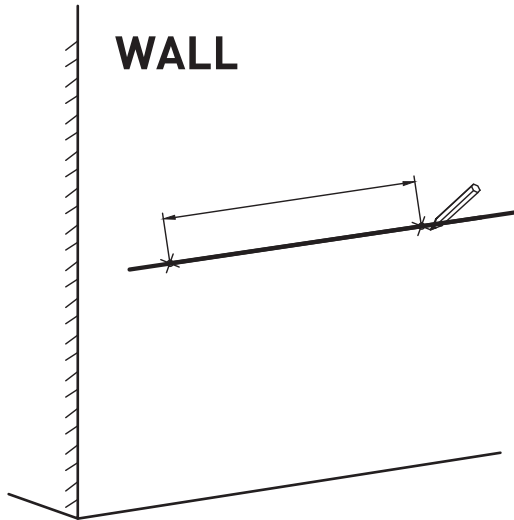
INSTALLATION INSTRUCTIONS



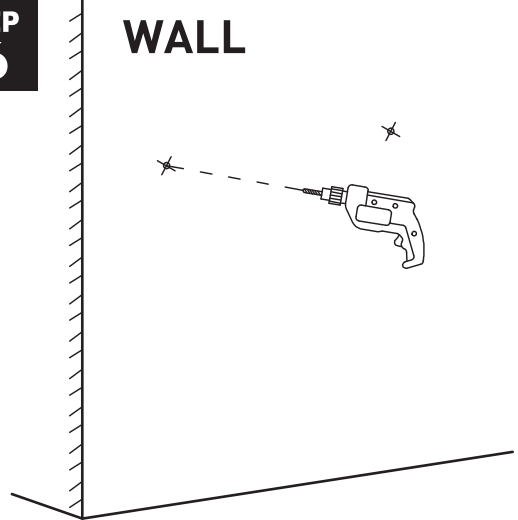
Please measure actual distance between holes for wall mounting.


COAT SHELF WITH HOOKS

STEP 5

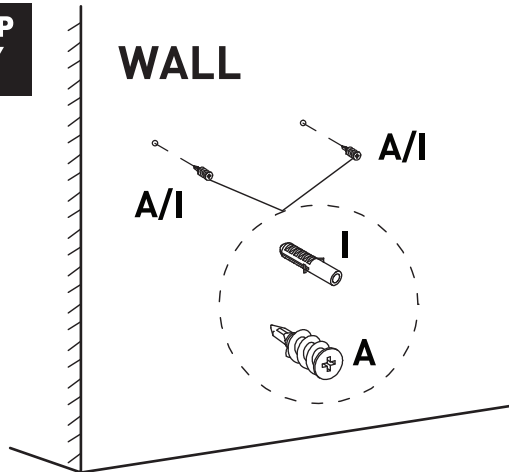



STEP 6



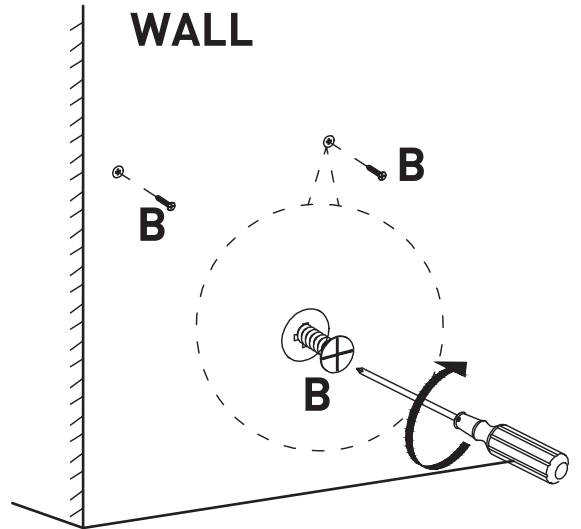
 Please perforate holes on the wall based on actual distance between holes for wall mounting.

STEP 7

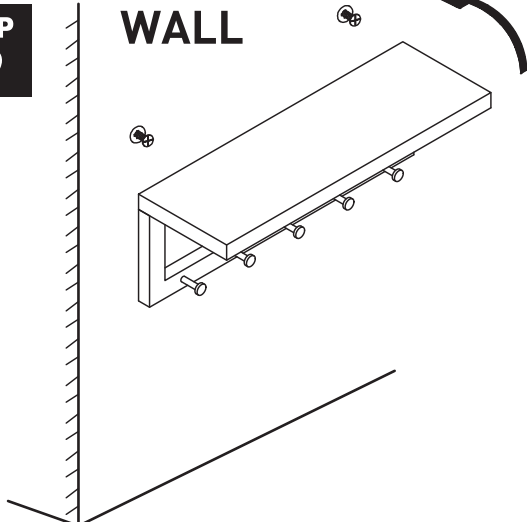


 Please use different plastic expansion bolts for different walls

STEP 8



STEP 9



MADE IN CHINA
DISTRIBUTED BY:
Visy Retail Services Pty Ltd (AU): 1300 734 714
Visy Board Limited (NZ): 0800 443 058

AUS: flexistorage.com.au
NZ: flexistorage.co.nz