

# LUGNA

FORM & FUNCTION



## ASSEMBLY INSTRUCTIONS

### HANGING RAIL PACK

TO SUIT SHELL WIDTH  
450mm

TO SUIT SHELL WIDTH  
600mm

TO SUIT SHELL WIDTH  
750mm

TO SUIT SHELL WIDTH  
900mm

*LUGNA understands the importance of timeless style and practical durability for a home's form and function. Our European-inspired collection is simple and easy to use, with five modern colours that complement any style and space. LUGNA's modular system allows for endless configurations and additions, with various-sized cabinets, drawers, shelving, and hinged doors that can be combined to create a bespoke look on any budget. Whether you're looking for something modern and sleek or classic and elegant, LUGNA has something for everyone.*



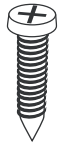
**SCAN TO PLAN**

Plan your space with  
our online planner

**10 YEAR**  
WARRANTY

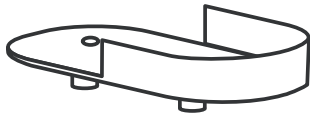


## ***Includes***



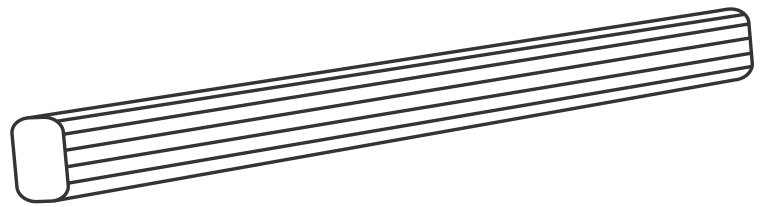
**2x**

*Screws*



**2x**

*Hanging Brackets*



**1x**

*Hanging Rod*

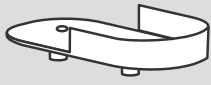
---

## ***What you will need***



## STEP 1

# Wardrobe Shell Assembly

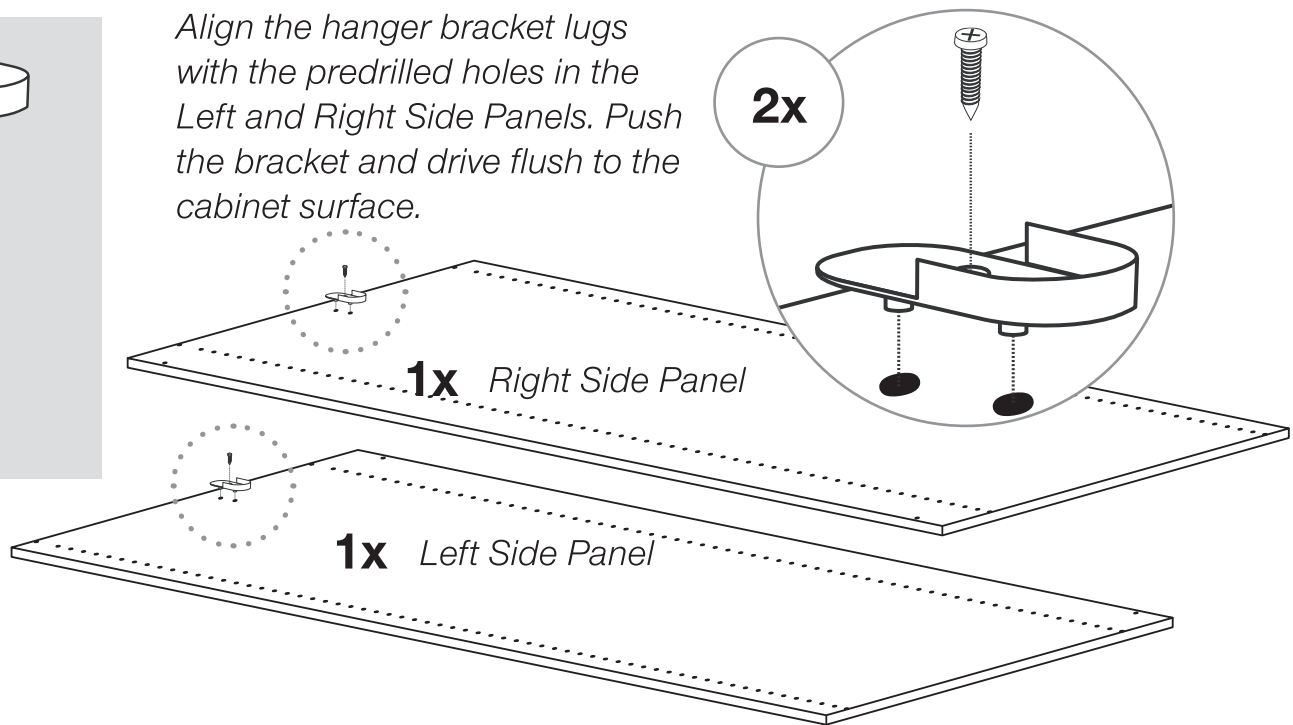


2x

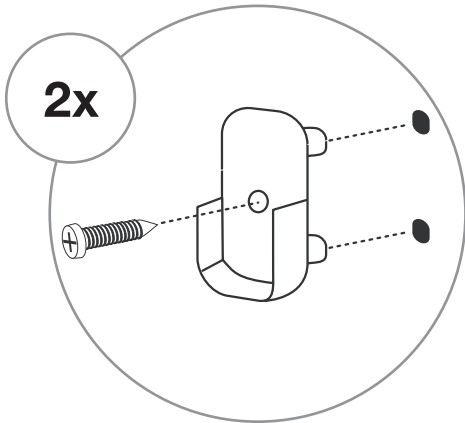


2x

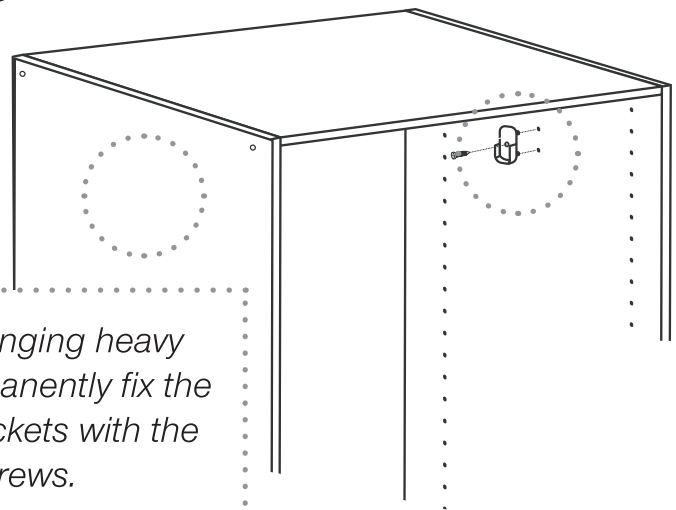
Align the hanger bracket lugs with the predrilled holes in the Left and Right Side Panels. Push the bracket and drive flush to the cabinet surface.



## Fitting to Existing Wardrobe

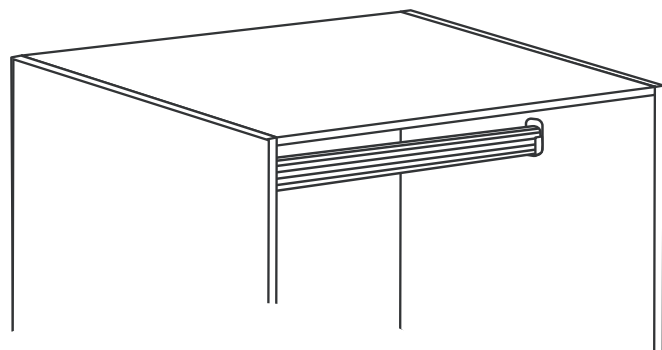
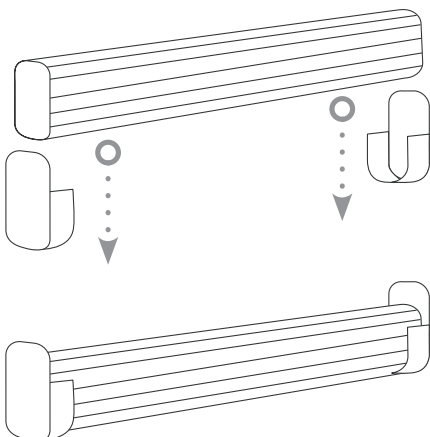


Note – If hanging heavy items, permanently fix the hanger brackets with the supplied screws.



## STEP 2

The hanger rod is precut to size. Align the hanger rod vertically above both the left and right hand side hanger brackets and pull down.



# LUGNA

## FORM & FUNCTION

### CABINET CARE INSTRUCTIONS

---

#### **Everyday care for your cabinets:**

*Liquid spills should be cleaned up as they occur. Liquids and other damp objects, i.e. towels, will eventually cause permanent damage should they be left unattended.*

*Everyday clean-up of cabinets can be done with a damp cloth and a dry cloth. Ensure you use a clean cloth every time when wiping down your cabinets, as foreign dirt, grease, and oils may inadvertently be transferred to the surface.*

#### **Cleaning melamine products:**

*Oils, grease, and other soils that do not respond to water can be removed with a solution of mild soap and water. The surface should be rinsed immediately with a clean, damp cloth and dried thoroughly with a soft cloth to avoid streaking or moisture seeping into the seams around the edges.*

**PLEASE NOTE: Never use abrasive cleaners, ammonia, bleaching agents, scouring pads or powdered cleaners on any type of cabinetry.**

#### **Cleaning cabinet hardware:**

*Brass and Silver cleaners are not recommended for cleaning handles. Some of these cleaning solutions contain harsh chemicals that may damage the finish on your handles.*

*Wash your hardware with a solution of warm water and a small amount of mild dish detergent. Dry your hardware and areas around the cleaned area immediately.*

*Hinges can be cleaned with a dry cloth or cotton-tipped swab.*