

Mondella

CONCERTO
SLEEK EDGE

CONCERTO

MATTE WHITE

SQUARE VITREOUS CHINA BASIN

390mm W x 390mm D x 140mm H

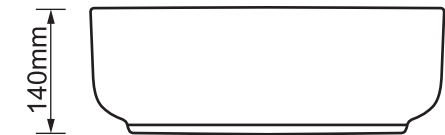
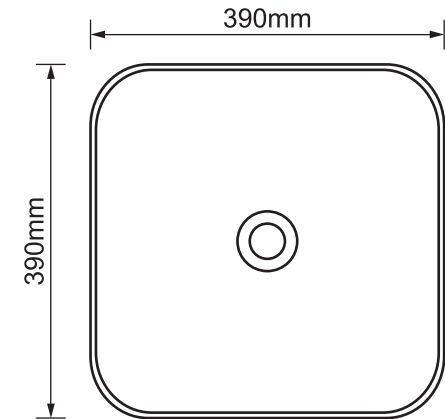
Above counter basin without overflow

Suits 32mm waste (not included)

Item Number: 0205453
MON1000

10
YEAR
WARRANTY*

MON1000-FLV1
03/11/20



* refer to www.mondella.com.au for full warranty details

All dimensions in millimetres (mm) and subject to manufacturing tolerances.